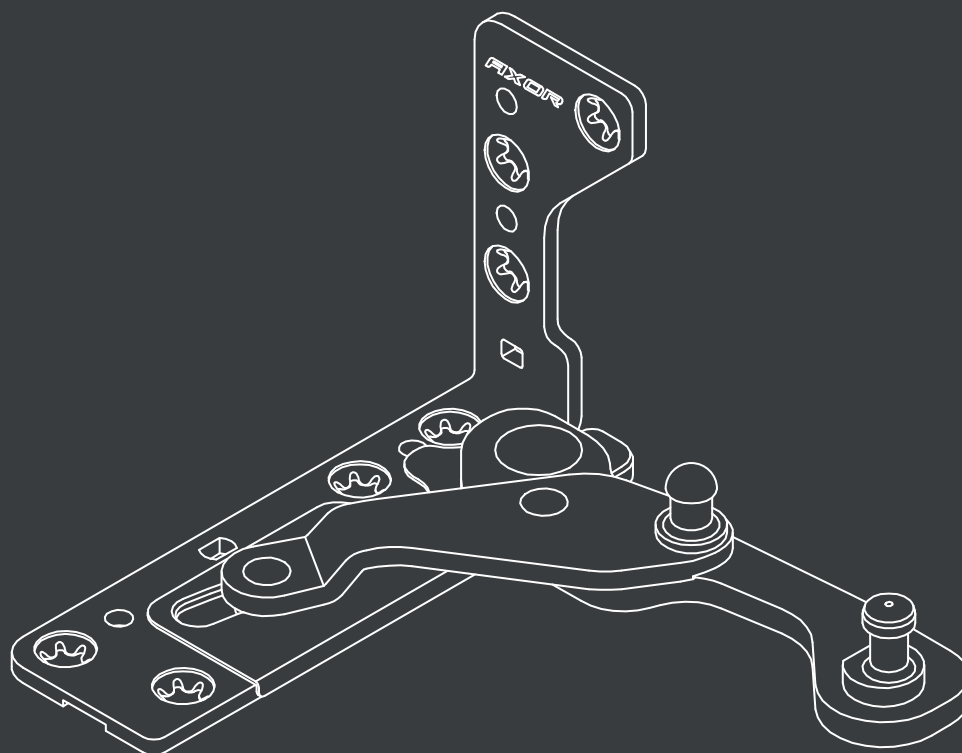
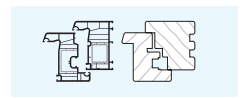


AXOR

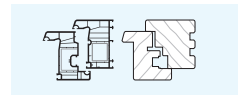
ELITE +

Concealed hinges system for PVC and timber profiles based on **KOMFORT LINE K-3**





	Introduction
1	Concealed hinges system
2	Concealed stay arm system
3	Additional elements
4	Hardware overviews
5	Tools / Installation / Adjustments
6	Profile-dependent elements



Concealed hinges system ELITE+

Introduction

Concealed hinges system ELITE+

The constructive of fully concealed hinges system is different from traditional one. Mechanical elements of hinges are completely hidden and integrated into the clearance (the distance between a frame and window's sash rebate). Visually, they are invisible, both indoors and from the street. Such constructive has a few advantages: modern window design and additional functionality of a window structure.

This catalog presents variants of fully concealed hinges' completing with window hardware Komfort Line K-3 system for aluminum, timber and PVC windows. What allows producing translucent structures with different levels of resistance to burglary. This is achieved through the use of mushroom shaped cams in combination with the required number of security locking plates with which the final product is equipped.



ELITE+ Benefits

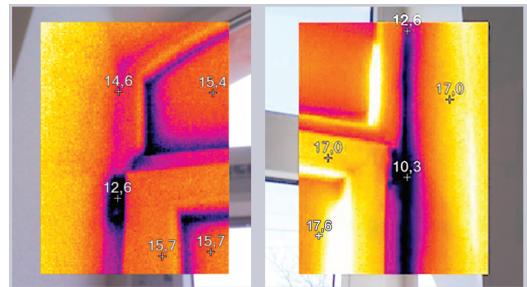


Original design

Only a window - and nothing more! Concealed hinges make it possible to create unique window design and combine it harmoniously with an interior. The absence of visible elements allows you choosing the color of window's lamination without reference to the shade of decorative covers. Windows with concealed hinges are particularly relevant when creating original and elegant interiors, as well as the reconstruction of historical objects.

Improved thermal insulation

Through the use of concealed hinges it is providing additional gasket pressure sashes to a frame and bigger air-tightness of a structure. In addition, concealed hinges do not interrupt the contour of window seal, therefore blowing / frosting in area of hinges are excluded.



Increased burglary resistance

Concealed hinges are not visible from outside, so an intruder is extremely difficult to reach mechanism in hinges area. Together with other anti-burglar elements of a window, hidden hinges are able to protect a house from uninvited guests, including the anti-burglar class RC2.

Compatible with any window jamb

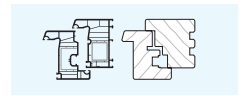
Due to the construct of concealed hinges, when a window is opened, a sash is moving to the center. This simplifies requirements of window jambs' location.



Convenient opening width

Concealed hinges make it possible to open a window's sash up to 100 degrees. Taking into account, features of various window designs and individual needs in operation of a window, it is possible to install an opening limiter. This will limit the turning of a sash at a certain angle and prevent its strikes against of a window jamb.

AXOR INDUSTRY reserves the right in the process of further improvement and development to make technical changes to products ELITE + and Komfort Line K-3, as well as to change packaging norms.



The quality of elements' plating

Introduction

Protective plating of KOMFORT LINE K-3

The quality of window hardware's plating parts has a great influence on its work, life and appearance.

Special technology of galvanic zinc plating allows obtaining high-quality coating that provides details of the hardware KOMFORT LINE K-3 required level of corrosion protection.

At the same time, the silver color of window hardware's surface performs decorative function, allowing it to combine successfully with rest window's elements.



Causes of corrosion on the hardware

- 1) Prolonged exposure of high humidity (more than 70%).
- 2) Air polluted with industrial gases, containing compounds of various acids and exposure of salt mists.
- 3) Mechanical damages of the surface during installation or maintenance, violating integrity of the plating.
- 4) Detergents containing alkalis, acids, etc.
- 5) Frequent formation of condensation on the window hardware due to sudden temperature fluctuations.
- 6) Contamination with building materials, in particular with cement or gypsum plaster.

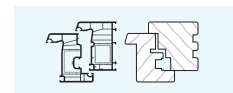
Guidelines for saving surface plating quality

- 1) Avoid contact with the building materials (plaster, cement, various mortars and construction dust).
- 2) Avoid exposure to the window hardware aggressive acid - containing vapors, and exposure of salt mist
- 3) Do not use seals that can absorb and retain moisture.
- 4) Clean the window hardware only with neutral pH products in diluted form.
- 5) Avoid mechanical damage to the surface with construction, installation and cleaning tools.

Hardware storage conditions

Rules apply to storage, transportation, unloading and loading. In the forced transportation under the open sky (e.g. production site) during precipitation use tape or similar protection from humidity and dampness. Storage is allowed only in specially enclosed spaces, not outdoors. To avoid condensation during transportation and storage.









- 1) Always keep the packaging closed. Always close (cover) the packages that were opened and do not to put them directly on the floor.
- 2) Transportation is only for vehicles intended for this purpose (if it is possible, on pallets with stretch tape).
- 3) Hardware mustn't be wet. Packaging must remain dry. (Recommended: Temperature in a warehouse - 15-25°C; Relative humidity - less than 50%).
- 4) In the case of wet packaging, remove parts from it, dry them and check for corrosion. Pack suitable parts in dry condition.



Basic designations and presentation of information

Introduction

Basic designations

	maximum sash weight in kg		cylindrical locking pin
	screws (quantity / size)		burglar retardant locking pin
	norm of packing (pieces)		locking plate for double sash profile
	drill bit (diameter)		thread forming screws (quantity)



tilt and turn sash



double sash window with main tilt and turn sash



single turn sash



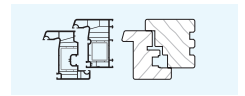
single tilt sash

Presentation of information

All part number codes in the catalog are presented in alphanumeric form. Decoding part numbers can be found on pages 5-6. The dimensions shown in the catalog are nominal and contain general tolerances.

All sizes are in mm.

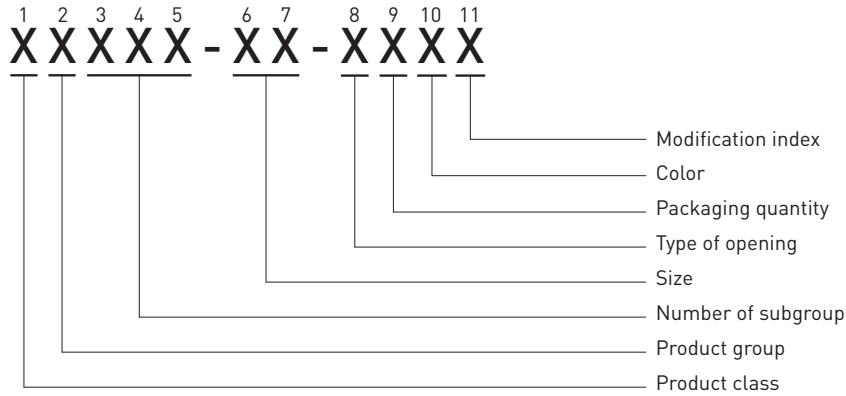
Information about sash's dimensions limitations should be taken from catalog's diagrams or installation manual.



Structure of a part number code

Introduction

Structure of a part number code



1. Product class (1st sign)

XXXXX-XX-XXXX

“S” – smart line

“K” – komfort line

“A” – element refers to both classes

2. Product group (2nd sign)

X**X**XXX-XX-XXXX

“0” – alternative value

“1” – gear variable

“2” – corner transmissions

“3” – stay arm

“4” – extensions

“5” – hinges

“6” – standart locking plates,
tilt locking plates

“7” – locking plates and the other
accessories

“8” – alternative value

“9” – alternative value

3-5. Subgroup number (3rd, 4th, 5th sign)

Xx**XXX**-XX-XXXX

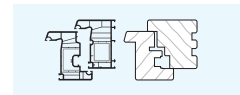
Additional information about product's subgroup.

Example: group “gears”, subgroup “double sash lever espagnolette variable”.

6-7. Size (6th, 7th sign)

XXXXX-**XX**-XXXX

Important dimensions of the product such as the length of the axis, etc.



Structure of a part number code

Introduction

8. Type of opening (8th sign)

XXXXX-XX-**X**XXX

"N" – universal

"R" – right

"L" – left

9. Packaging quantity (9th sign)

XXXXX-XX-**X**XXX

"O" – standard quantity

"B" – 1 pcs.

"C" – 2 pcs.

"D" – 5 pcs.

"E" – 10 pcs.

"F" – 20 pcs.

"G" – 25 pcs.

"H" – 30 pcs.

"J" – 40 pcs.

"K" – 50 pcs.

"L" – 100 pcs.

"M" – 125 pcs.

"N" – 200 pcs.

"P" – 250 pcs.

"R" – 400 pcs.

"S" – 500 pcs.

"T" – 1000 pcs.

"V" – 1500 pcs.

"W" – 3000 pcs.

"Y" – 5000 pcs.

"Z" – nonstandard quantity

10. Color and plating (10th sign)

XXXXX-XX-**X**XX

0 – plating

1 – white

2 – brown

3 – silver

4 – champagne

5 – gold

6 – bronze

7 – black

8 – steel surface

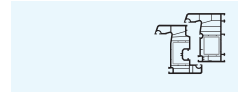
9 – special colors

Double encoding can be used for several tones of the same color.

Example: 1 – white color RAL 9016

1B – white color RAL 9010

11. Modification index (A, B, C) (11th sign)

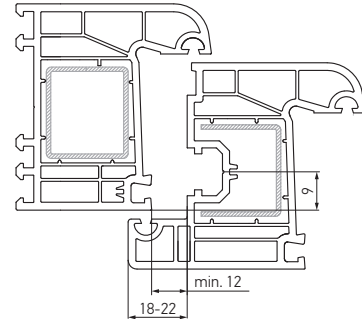


**Section of PVC profiles
for single sash and double sash**

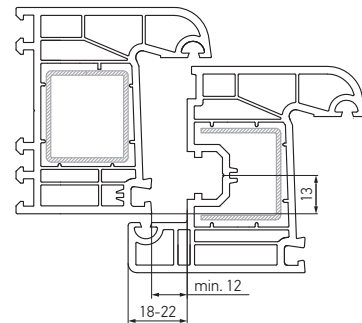
Introduction

The single sash constructions

Sash rebate gap (A):	min. 12 mm
Sash overlap (C):	18 – 22 mm
Sash groove position (B):	9 mm



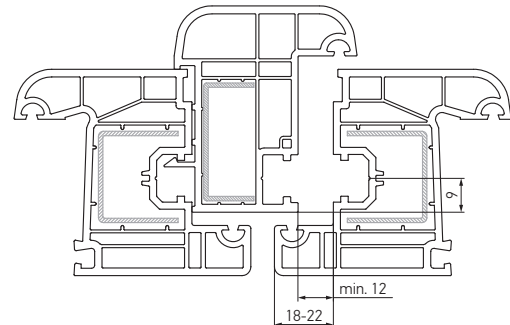
Sash rebate gap (A):	min. 12 mm
Sash overlap (C):	18 – 22 mm
Sash groove position (B):	13 mm



The double sash constructions with opposite fitting groove

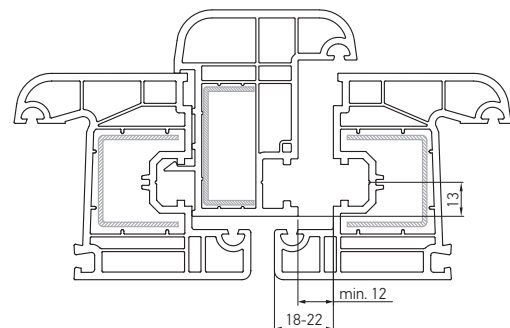
Sash rebate gap (A):	min. 12 mm
Sash overlap (C):	18 – 22 mm
Sash groove position (B):	9 mm

The handling of a passive sash with double sash's gears K1002-XX-N03

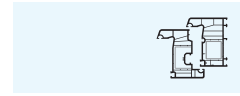


Sash rebate gap (A):	min. 12 mm
Sash overlap (C):	18 – 22 mm
Sash groove position (B):	13 mm

The handling of a passive sash with double sash's gears K1002-XX-N03

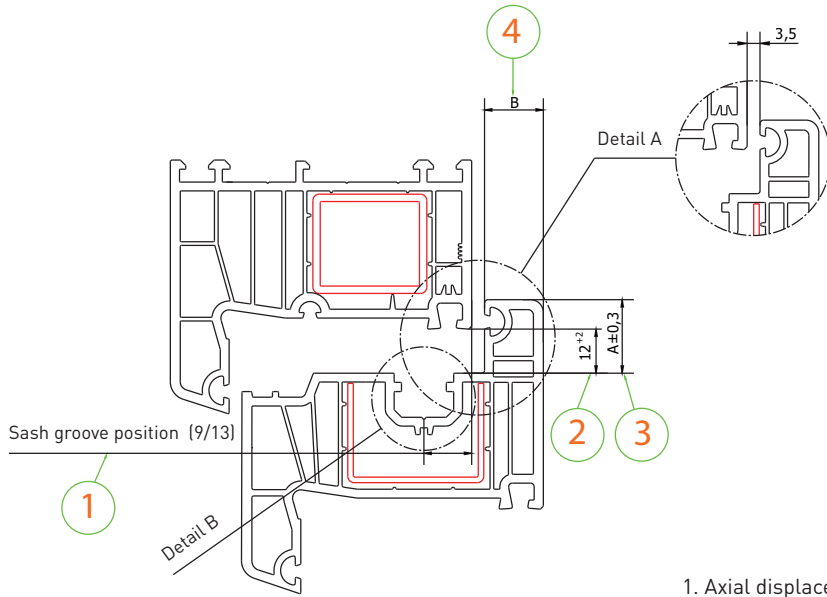


The information about profile-dependent elements you find at the profile list

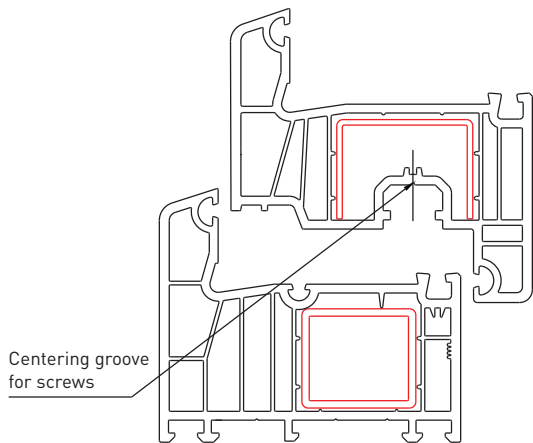


Guidelines for compliance with sizes of PVC profiles' section

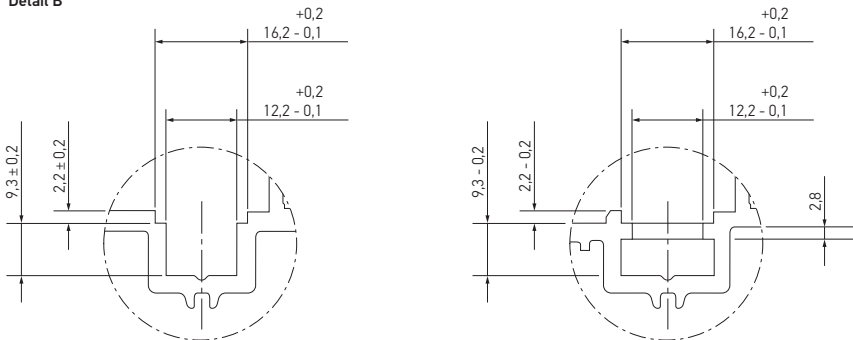
Introduction



1. Axial displacement of the fitting groove.
2. Distance required moving the hardware.
3. Value of the sash overlap.
4. Thickness of sash's overlap. The value on which depends necessary clearance for hinge operation.



Detail B



Dimensional compliance for for PVC profiles according to RAL as of February 1998

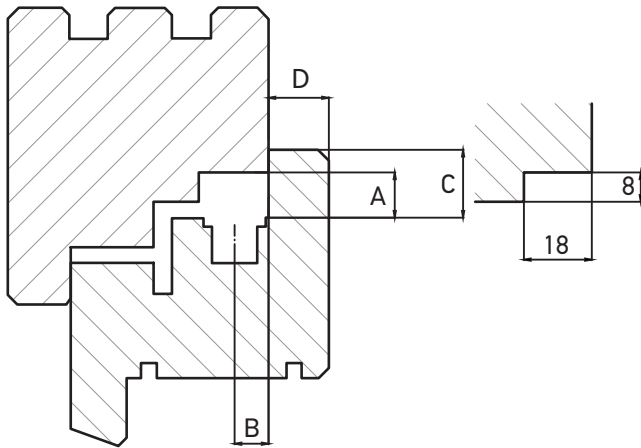
Gütegemeinschaft Schösserund Beschläge e.V., Offerstr. 12, 42551 Velbert



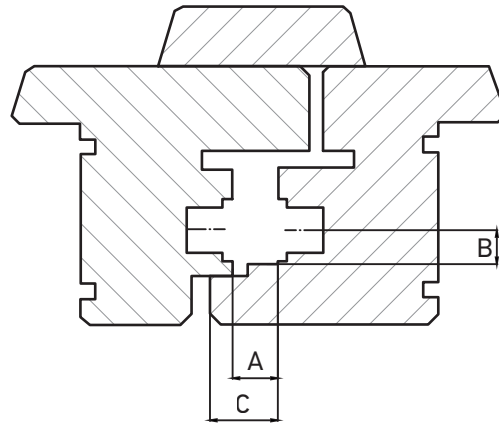
**Profiles section of timber profiles
for single sash and double sash**

18/8—12/18—9 profile

The single sash constructions



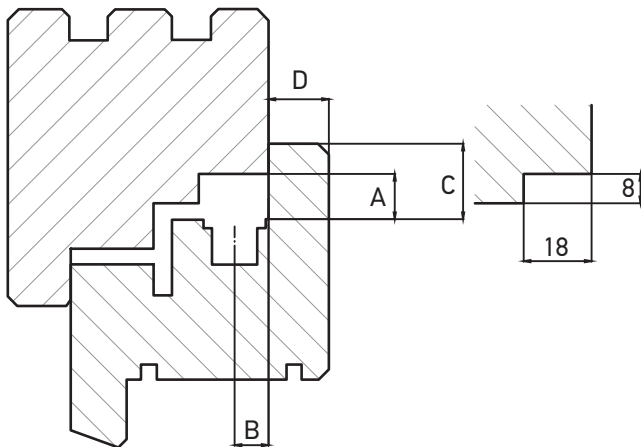
The double sash constructions with opposite fitting groove



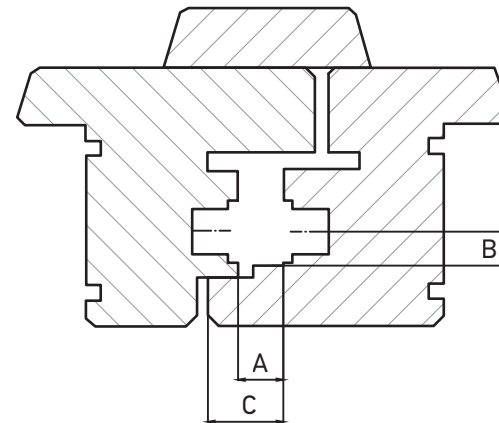
A	Airgap	12,0 ^{+0.5} mm.
B	Groove axis	9,0 mm.
C	Rebate width	18,0 mm.
D	Rebate height	16,0 mm.

18/8—12/20—9 profile

The single sash constructions



The double sash constructions with opposite fitting groove



A	Airgap	12,0 ^{+0.5} mm.
B	Groove axis	9,0 mm.
C	Rebate width	20,0 mm.
D	Rebate height	16,0 mm.

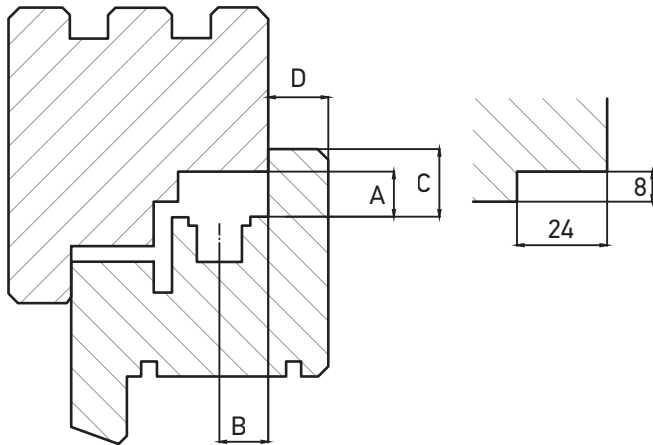


**Profiles section of timber profiles
for single sash and double sash**

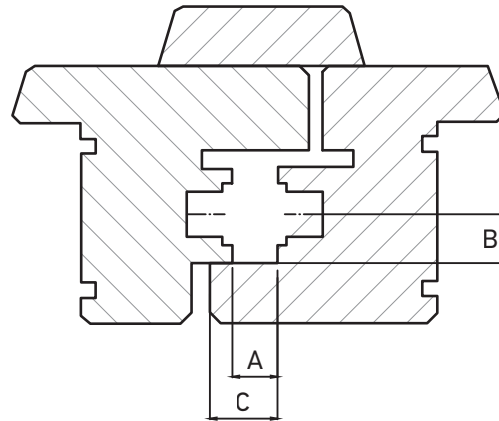
Introduction

24/8—12/18—13 profile

The single sash constructions



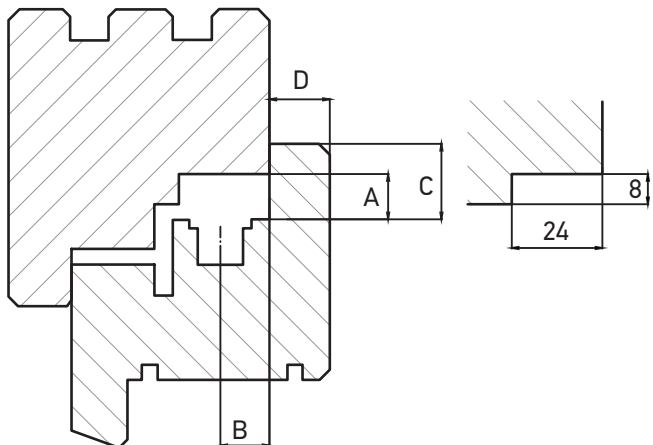
The double sash constructions with opposite fitting groove



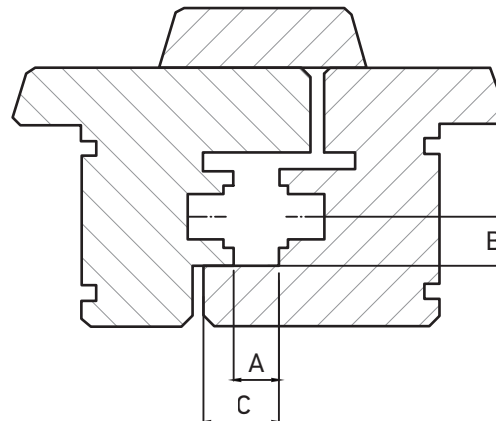
A	Airgap	12,0 ^{+0.5} mm.
B	Groove axis	13,0 mm.
C	Rebate width	18,0 mm.
D	Rebate height	16,0 mm.

24/8—12/20—13 profile

The single sash constructions



The double sash constructions with opposite fitting groove



A	Airgap	12,0 ^{+0.5} mm.
B	Groove axis	13,0 mm.
C	Rebate width	20,0 mm.
D	Rebate height	16,0 mm.

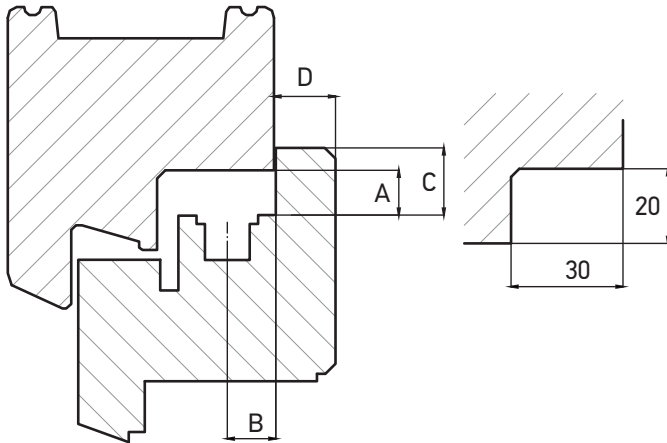
The information about profile-dependent elements you find at the profile list



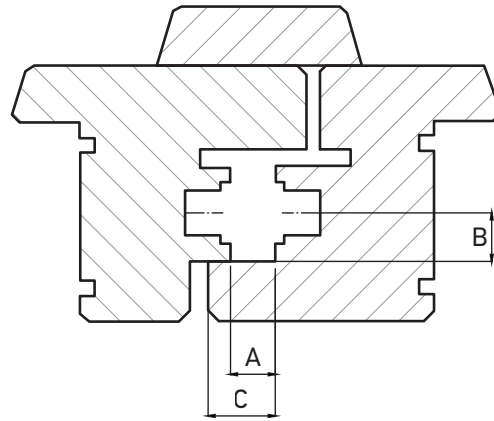
**Profiles section of timber profiles
for single sash and double sash**

30/20—12/18—13 profile

The single sash constructions



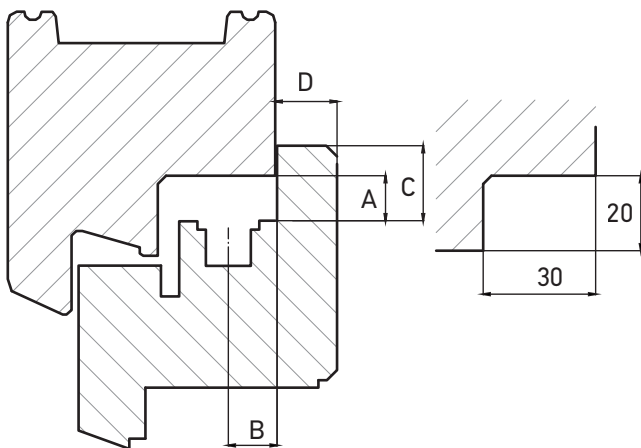
The double sash constructions with opposite fitting groove



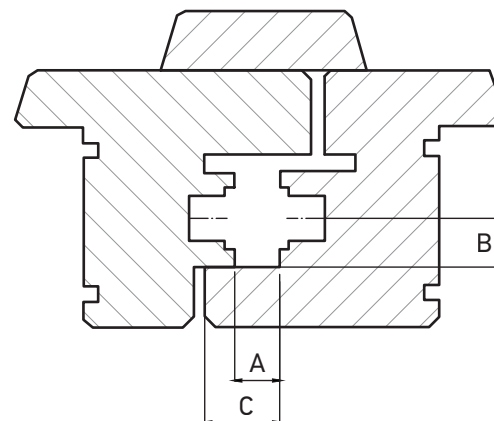
A	Airgap	12,0 ^{+0,5} mm.
B	Groove axis	13,0 mm.
C	Rebate width	18,0 mm.
D	Rebate height	16,5 mm.

30/20—12/20—13 profile

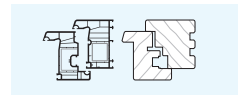
The single sash constructions



The double sash constructions with opposite fitting groove



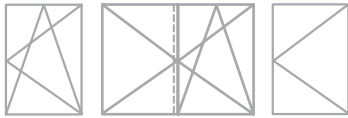
A	Airgap	12,0 ^{+0,5} mm.
B	Groove axis	13,0 mm.
C	Rebate width	20,0 mm.
D	Rebate height	16,5 mm.



Application range diagrams

Introduction

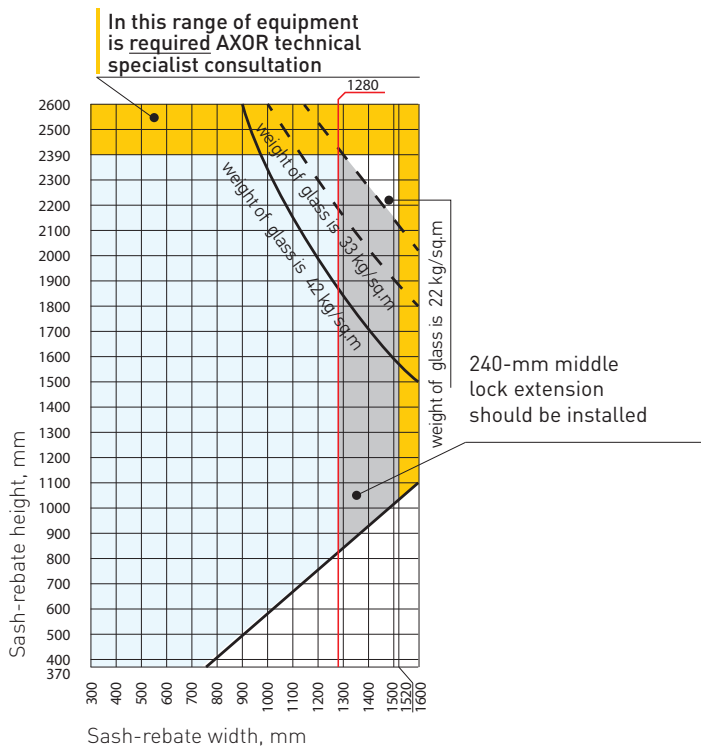
Single turn, tilt and turn and double sash design



Valid sash's size

Permissible sash's weight for this range is 130 kg max.

1 mm / m² glass thickness = 2.5

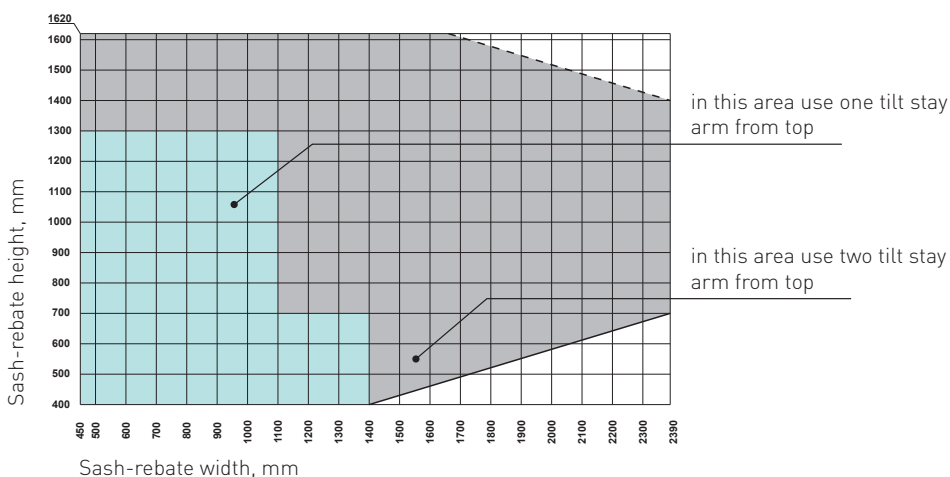


Tilt-only design



Limit of sash's dimensions.

Maximum permissible sash's weight is 50 kg



AXORTM

ELITE +

Concealed hinges system

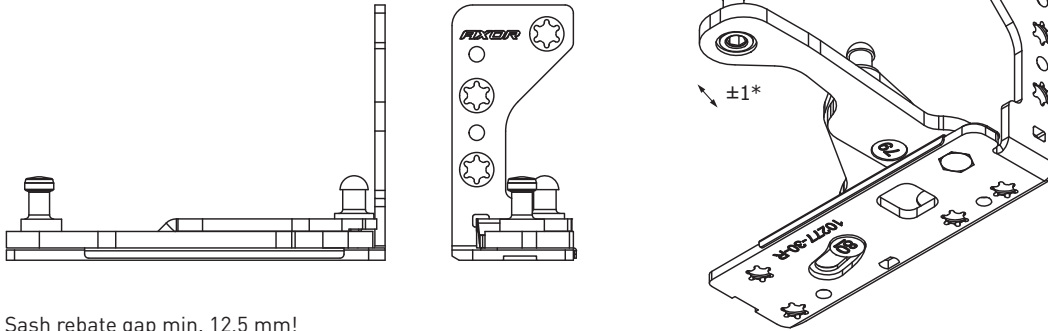
AXOR



Concealed bottom hinge

Concealed hinges system

Concealed bottom hinge PVC

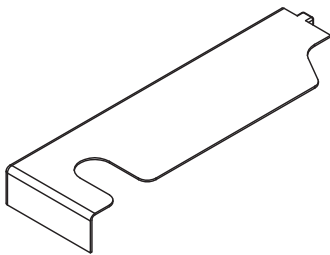


Sash rebate gap min. 12,5 mm!

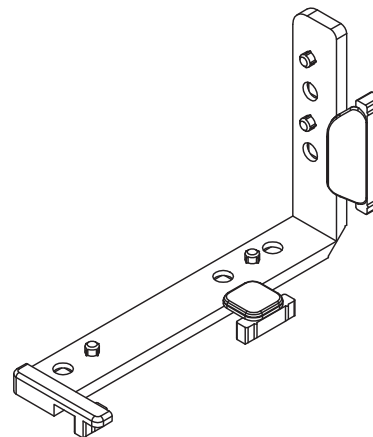
* adjustment of gasket pressure, mm;

** see the section "Profile-dependent elements"

Decorative cover of concealed bottom hinge PVC



Concealed hinge packer **



Description	Side opening	A	C	B	kg			Part No.
Concealed bottom hinge PVC, 9 mm, left	L	12	—	9	130	7	25	A5025-09-L03
Concealed bottom hinge PVC, 9 mm, right	R	12	—	9	130	7	25	A5025-09-R03
Concealed bottom hinge PVC, 13 mm, left	L	12	—	13	130	7	25	A5025-13-L03
Concealed bottom hinge PVC, 13 mm, right	R	12	—	13	130	7	25	A5025-13-R03
Decorative cover of concealed bottom hinge PVC, left	L	12	—	—	—	—	100	A7141-00-L03
Decorative cover of concealed bottom hinge PVC, right	R	12	—	—	—	—	100	A7141-00-R03
Description	Side opening	A	C	B	kg			Part No.
Template for drilling, concealed hinges group, 30 mm	L/R	12	—	—	—	Ø3	—	A7145-02-N03

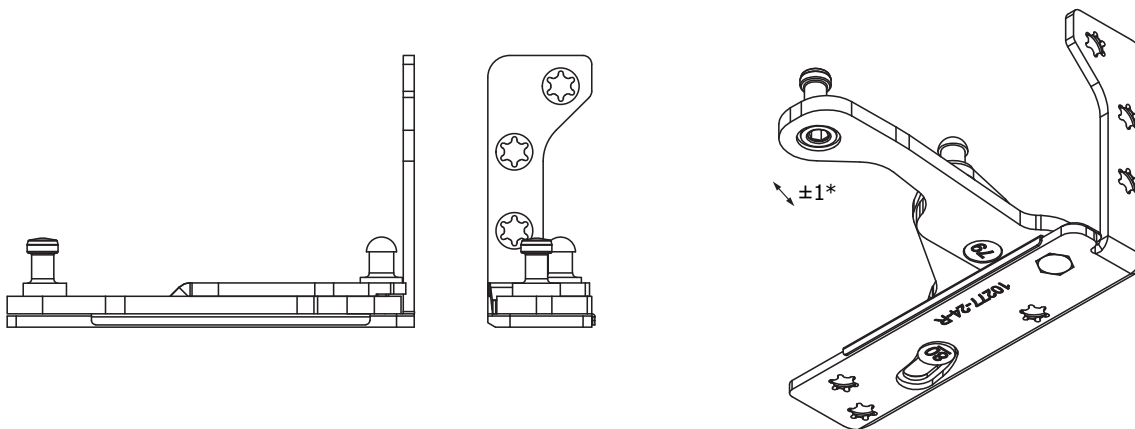
A - sash rebate gap / C - sash overlap / B - sash groove position



Concealed bottom hinge

Concealed hinges system

Concealed bottom hinge for timber profile

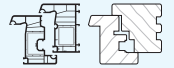


Sash rebate gap min. 12 mm!

* adjustment of gasket pressure, mm

Description	Side opening	A	C	B	kg			Part No.
Concealed bottom hinge for timber profile, 9 mm, left	L	12	—	9	130	6	25	A5026-09-L03
Concealed bottom hinge for timber profile, 9 mm, right	R	12	—	9	130	6	25	A5026-09-R03
Concealed bottom hinge for timber profile, 13 mm, left	L	12	—	13	130	6	25	A5026-13-L03
Concealed bottom hinge for timber profile, 13 mm, right	R	12	—	13	130	6	25	A5026-13-R03
Description	Side opening	A	C	B	kg			Part No.
Template for drilling, concealed hinges group, 24 mm	L/R	12	—	—	—	Ø3	—	A7145-01-N03

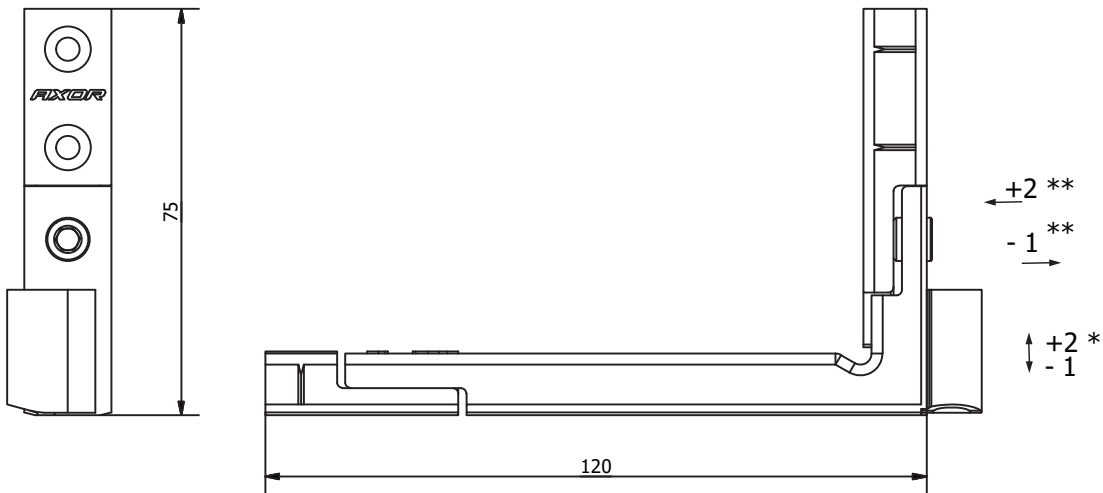
A - sash rebate gap / C - sash overlap / B - sash groove position



Concealed bottom sash hinge

Concealed hinges system

Concealed bottom sash hinge



Sash rebate gap min. 12,5 mm!

* vertical adjustment, mm;

** horizontal adjustment, mm

Description	Side opening	A	C	B	kg			Part No.
Concealed bottom sash hinge, 9 mm, left	L	12	—	9	130	4	100	A5027-09-L03
Concealed bottom sash hinge, 9 mm, right	R	12	—	9	130	4	100	A5027-09-R03
Concealed bottom sash hinge, 13 mm, left	L	12	—	13	130	4	100	A5027-13-L03
Concealed bottom sash hinge, 13 mm, right	R	12	—	13	130	4	100	A5027-13-R03

A - sash rebate gap / C - sash overlap / B - sash groove position

AXORTM

ELITE +

Concealed stay arm system

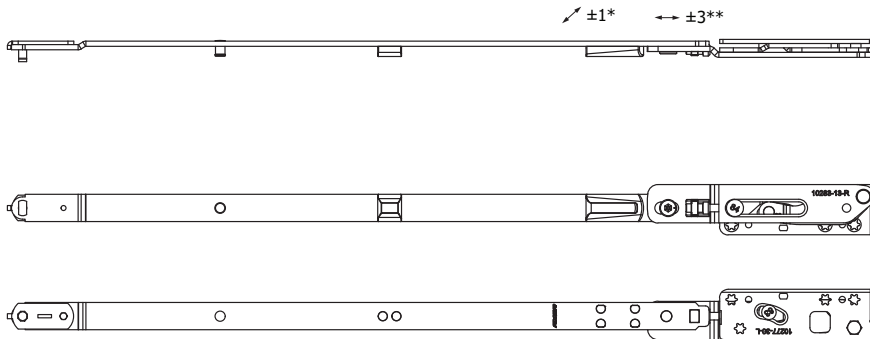
AXOR



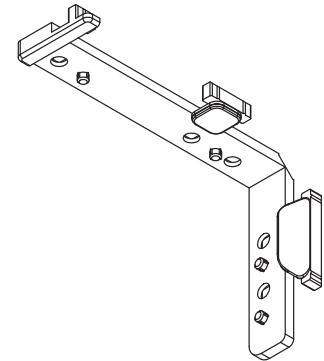
Stay arm

Concealed stay arm system

Concealed stay arm PVC



Concealed hinge packer ***



Sash rebate gap min. 12 mm!

* adjustment of gasket pressure, mm;

** horizontal adjustment, mm;

*** see the section "Profile-dependent elements"

Description	SRW (mm)	Side opening	A	C	B	kg			Part No.
Concealed stay arm PVC, 13 mm, 480-800, left	480-800	L	12	—	13	130	7	10	A3001-02-L03
Concealed stay arm PVC, 13 mm, 480-800, right	480-800	R	12	—	13	130	7	10	A3001-02-R03
Concealed stay arm PVC, 13 mm, 801-1040, left	801-1040	L	12	—	13	130	7	10	A3001-03-L03
Concealed stay arm PVC, 13 mm, 801-1040, right	801-1040	R	12	—	13	130	7	10	A3001-03-R03
Concealed stay arm PVC, 13 mm, 1041-1280, left	1041-1280	L	12	—	13	130	7	10	A3001-04-L03
Concealed stay arm PVC, 13 mm, 1041-1280, right	1041-1280	R	12	—	13	130	7	10	A3001-04-R03
Concealed stay arm PVC, 9 mm, 480-800, left	480-800	L	12	—	9	130	7	10	A3002-02-L03
Concealed stay arm PVC, 9 mm, 480-800, right	480-800	R	12	—	9	130	7	10	A3002-02-R03
Concealed stay arm PVC, 9 mm, 801-1040, left	801-1040	L	12	—	9	130	7	10	A3002-03-L03
Concealed stay arm PVC, 9 mm, 801-1040, right	801-1040	R	12	—	9	130	7	10	A3002-03-R03
Concealed stay arm PVC, 9 mm, 1041-1280, left	1041-1280	L	12	—	9	130	7	10	A3002-04-L03
Concealed stay arm PVC, 9 mm, 1041-1280, right	1041-1280	R	12	—	9	130	7	10	A3002-04-R03
Description	SRW (mm)	Side opening	A	C	B	kg			Part No.
Template for drilling, concealed hinges group, 30 mm	—	L/R	—	—	—	—	Ø3	—	A7145-02-N03

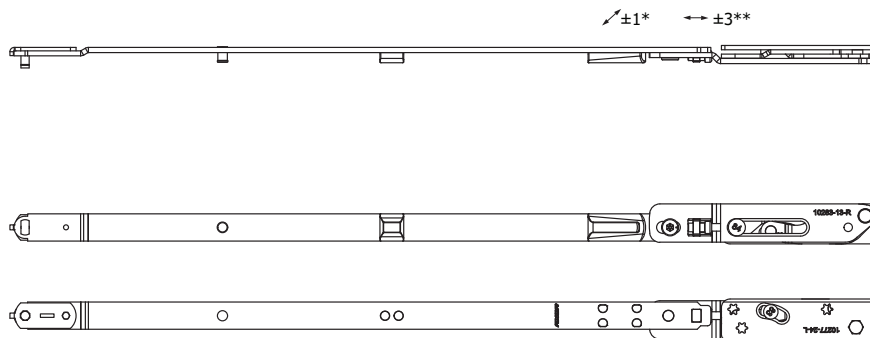
A - sash rebate gap / C - sash overlap / B - sash groove position



Stay arm

Concealed stay arm system

Concealed stay arm for timber profile



– Sash rebate gap min. 12 mm!

* adjustment of gasket pressure, mm;

** horizontal adjustment, mm.

Description	SRW (mm)	Side opening	A	C	B	kg			Part No.
Concealed stay arm for timber profile, 13 mm, 480-800, left	480-800	L	12	—	13	130	6	10	A3003-02-L03
Concealed stay arm for timber profile, 13 mm, 480-800, right	480-800	R	12	—	13	130	6	10	A3003-02-R03
Concealed stay arm for timber profile, 13 mm, 801-1040, left	801-1040	L	12	—	13	130	6	10	A3003-03-L03
Concealed stay arm for timber profile, 13 mm, 801-1040, right	801-1040	R	12	—	13	130	6	10	A3003-03-R03
Concealed stay arm for timber profile, 13 mm, 1041-1280, left	1041-1280	L	12	—	13	130	6	10	A3003-04-L03
Concealed stay arm for timber profile, 13 mm, 1041-1280, right	1041-1280	R	12	—	13	130	6	10	A3003-04-R03
Concealed stay arm for timber profile, 9 mm, 480-800, left	480-800	L	12	—	9	130	6	10	A3004-02-L03
Concealed stay arm for timber profile, 9 mm, 480-800, right	480-800	R	12	—	9	130	6	10	A3004-02-R03
Concealed stay arm for timber profile, 9 mm, 801-1040, left	801-1040	L	12	—	9	130	6	10	A3004-03-L03
Concealed stay arm for timber profile, 9 mm, 801-1040, right	801-1040	R	12	—	9	130	6	10	A3004-03-R03
Concealed stay arm for timber profile, 9 mm, 1041-1280, left	1041-1280	L	12	—	9	130	6	10	A3004-04-L03
Concealed stay arm for timber profile, 9 mm, 1041-1280, right	1041-1280	R	12	—	9	130	6	10	A3004-04-R03
Description	SRW (mm)	Side opening	A	C	B	kg			Part No.
Template for drilling, concealed hinges group, 24 mm	—	L/R	—	—	—	—	Ø3	—	A7145-01-N03

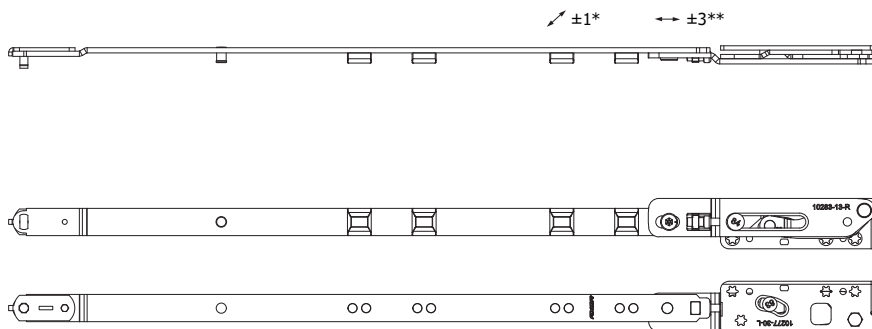
A - sash rebate gap / C - sash overlap / B - sash groove position



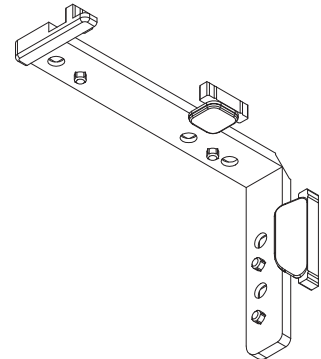
Stay arm “First Tilt”

Concealed stay arm system

Concealed stay arm “First Tilt” PVC



Concealed hinge packer ***



Sash rebate gap min. 12 mm!

* adjustment of gasket pressure, mm;

** horizontal adjustment, mm;

*** see the section “Profile-dependent elements”

Description	SRW (mm)	Side opening	A	C	B	kg			Part No.
Concealed stay arm “First Tilt” PVC, 13 mm, 480-800, left	480-800	L	12	—	13	130	7	10	A3005-02-L03
Concealed stay arm “First Tilt” PVC, 13 mm, 480-800, right	480-800	R	12	—	13	130	7	10	A3005-02-R03
Concealed stay arm “First Tilt” PVC, 13 mm, 801-1040, left	801-1040	L	12	—	13	130	7	10	A3005-03-L03
Concealed stay arm “First Tilt” PVC, 13 mm, 801-1040, right	801-1040	R	12	—	13	130	7	10	A3005-03-R03
Concealed stay arm “First Tilt” PVC, 13 mm, 1041-1280, left	1041-1280	L	12	—	13	130	7	10	A3005-04-L03
Concealed stay arm “First Tilt” PVC, 13 mm, 1041-1280, right	1041-1280	R	12	—	13	130	7	10	A3005-04-R03
Concealed stay arm “First Tilt” PVC, 9 mm, 480-800, left	480-800	L	12	—	9	130	7	10	A3006-02-L03
Concealed stay arm “First Tilt” PVC, 9 mm, 480-800, right	480-800	R	12	—	9	130	7	10	A3006-02-R03
Concealed stay arm “First Tilt” PVC, 9 mm, 801-1040, left	801-1040	L	12	—	9	130	7	10	A3006-03-L03
Concealed stay arm “First Tilt” PVC, 9 mm, 801-1040, right	801-1040	R	12	—	9	130	7	10	A3006-03-R03
Concealed stay arm “First Tilt” PVC, 9 mm, 1041-1280, left	1041-1280	L	12	—	9	130	7	10	A3006-04-L03
Concealed stay arm “First Tilt” PVC, 9 mm, 1041-1280, right	1041-1280	R	12	—	9	130	7	10	A3006-04-R03
Description	SRW (mm)	Side opening	A	C	B	kg			Part No.
Template for drilling, concealed hinges group, 30 mm	—	L/R	—	—	—	—	∅3	—	A7145-02-N03

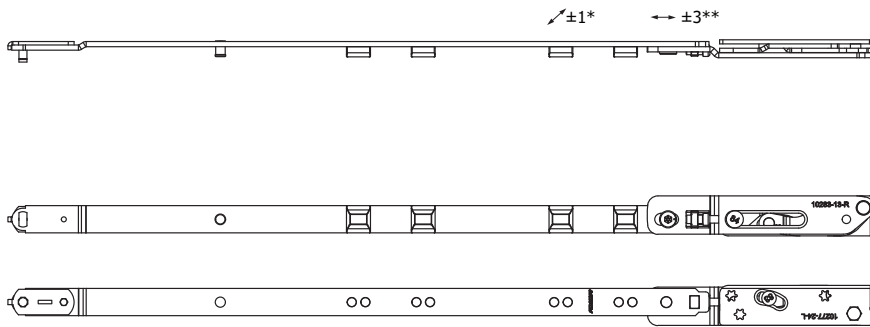
A - sash rebate gap / C - sash overlap / B - sash groove position



Stay arm “First Tilt”

Concealed stay arm system

Concealed stay arm “First Tilt” for timber profile



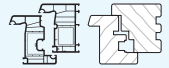
– Sash rebate gap min. 12 mm!

* adjustment of gasket pressure, mm;

** horizontal adjustment, mm.

Description	SRW (mm)	Side opening	A	C	B	kg			Part No.
Concealed stay arm “First Tilt” for timber profile, 13 mm, 480-800, left	480-800	L	12	—	13	130	6	10	A3007-02-L03
Concealed stay arm “First Tilt” for timber profile, 13 mm, 480-800, right	480-800	R	12	—	13	130	6	10	A3007-02-R03
Concealed stay arm “First Tilt” for timber profile, 13 mm, 801-1040, left	801-1040	L	12	—	13	130	6	10	A3007-03-L03
Concealed stay arm “First Tilt” for timber profile, 13 mm, 801-1040, right	801-1040	R	12	—	13	130	6	10	A3007-03-R03
Concealed stay arm “First Tilt” for timber profile, 13 mm, 1041-1280, left	1041-1280	L	12	—	13	130	6	10	A3007-04-L03
Concealed stay arm “First Tilt” for timber profile, 13 mm, 1041-1280, right	1041-1280	R	12	—	13	130	6	10	A3007-04-R03
Concealed stay arm “First Tilt” for timber profile, 9 mm, 480-800, left	480-800	L	12	—	9	130	6	10	A3008-02-L03
Concealed stay arm “First Tilt” for timber profile, 9 mm, 480-800, right	480-800	R	12	—	9	130	6	10	A3008-02-R03
Concealed stay arm “First Tilt” for timber profile, 9 mm, 801-1040, left	801-1040	L	12	—	9	130	6	10	A3008-03-L03
Concealed stay arm “First Tilt” for timber profile, 9 mm, 801-1040, right	801-1040	R	12	—	9	130	6	10	A3008-03-R03
Concealed stay arm “First Tilt” for timber profile, 9 mm, 1041-1280, left	1041-1280	L	12	—	9	130	6	10	A3008-04-L03
Concealed stay arm “First Tilt” for timber profile, 9 mm, 1041-1280, right	1041-1280	R	12	—	9	130	6	10	A3008-04-R03
Description	SRW (mm)	Side opening	A	C	B	kg			Part No.
Template for drilling, concealed hinges group, 24 mm	—	L/R	—	—	—	—	Ø3	—	A7145-01-N03

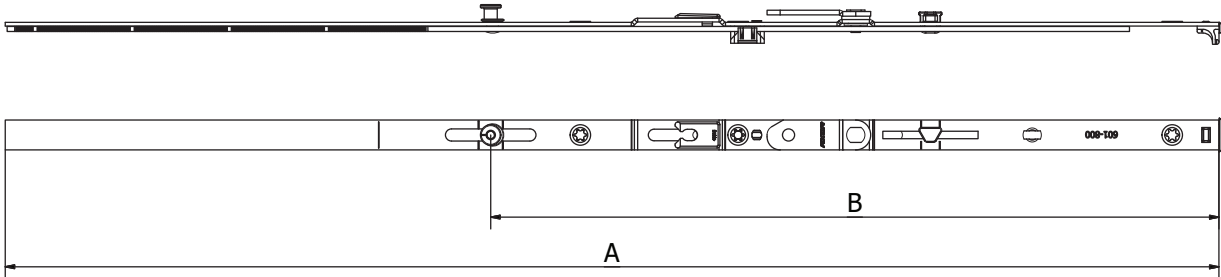
A - sash rebate gap / C - sash overlap / B - sash groove position



Stay arm, sash part

Concealed stay arm system

Concealed stay arm connecting plate



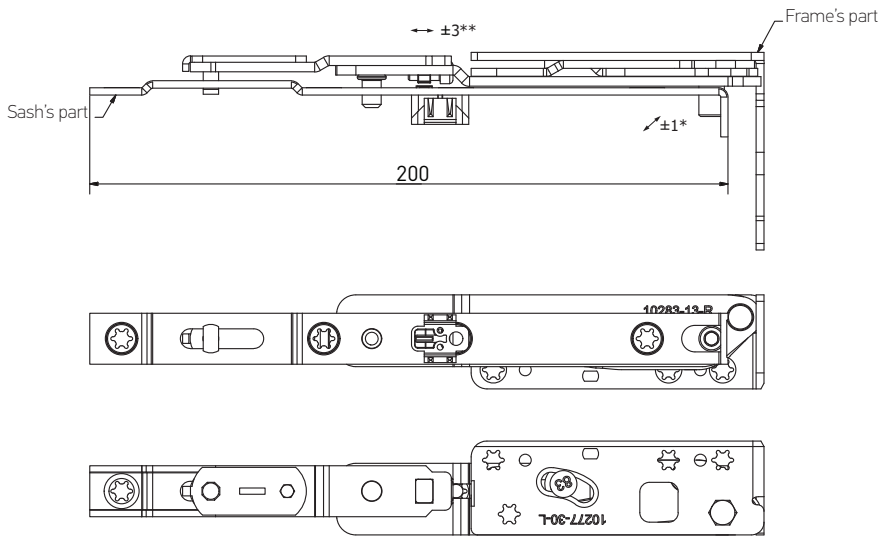
Description	SRW (mm)	Side opening	Dimensions						Part No.
			A	B					
Concealed stay arm connecting plate 1 L=530, 480-680, left	480-680	L	530	-	-	130	3	20	K3030-06-L03
Concealed stay arm connecting plate 1 L=530, 480-680, right	480-680	R	530	-	-	130	3	20	K3030-06-R03
Concealed stay arm connecting plate 2 L=650, 600-800, left	600-800	L	650	390	1	130	4	20	K3030-07-L03
Concealed stay arm connecting plate 2 L=650, 600-800, right	600-800	R	650	390	1	130	4	20	K3030-07-R03
Concealed stay arm connecting plate 3 L=890, 801-1040, left	801-1040	L	890	536	1	130	7	20	K3030-09-L03
Concealed stay arm connecting plate 3 L=890, 801-1040, right	801-1040	R	890	536	1	130	7	20	K3030-09-R03
Concealed stay arm connecting plate 4 L=1130, 1041-1280, left	1041-1280	L	1130	623	1	130	8	20	K3030-12-L03
Concealed stay arm connecting plate 4 L=1130, 1041-1280, right	1041-1280	R	1130	623	1	130	8	20	K3030-12-R03



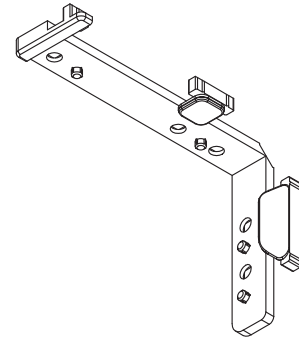
Concealed side hung top hinge

Concealed stay arm system

Concealed side hung top hinge PVC



Concealed hinge packer ***



Sash rebate gap min. 12 mm!

* adjustment of gasket pressure, mm;

** horizontal adjustment, mm;

*** see the section "Profile-dependent elements"

Description	SRW (mm)	Side opening	A	C	B	kg			Part No.
Concealed side hung top hinge PVC, 9 mm, left	320-1280	L	12	—	9	130	11	10	A5023-09-L03
Concealed side hung top hinge PVC, 9 mm, right	320-1280	R	12	—	9	130	11	10	A5023-09-R03
Concealed side hung top hinge PVC, 13 mm, left	320-1280	L	12	—	13	130	11	10	A5023-13-L03
Concealed side hung top hinge PVC, 13 mm, right	320-1280	R	12	—	13	130	11	10	A5023-13-R03
Description	SRW (mm)	Side opening	A	C	B	kg			Part No.
Template for drilling, concealed hinges group, 30 mm	—	L/R	—	—	—	—	Ø3	—	A7145-02-N03

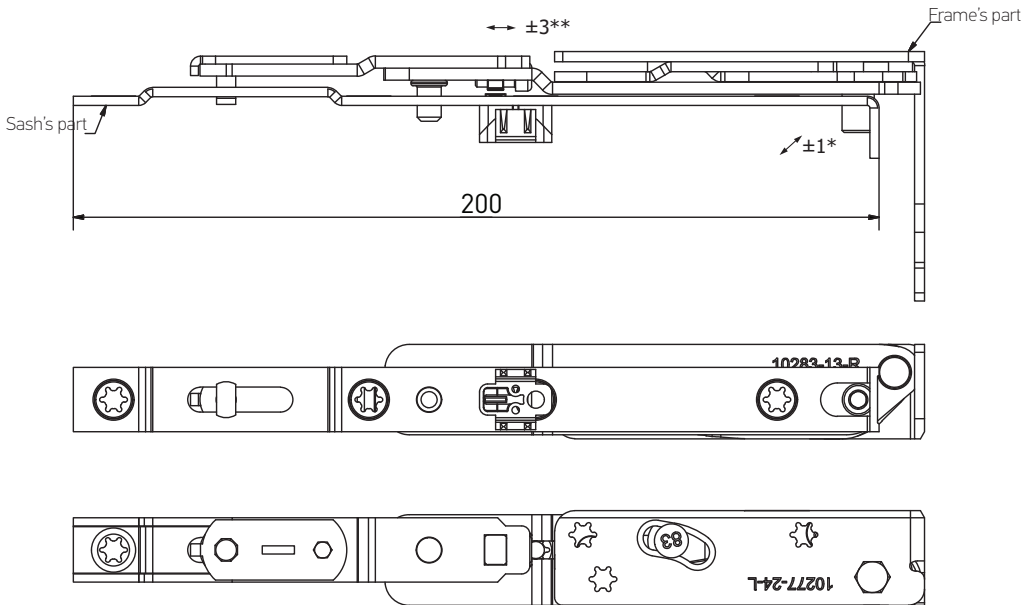
A - sash rebate gap / C - sash overlap / B - sash groove position



Concealed side hung top hinge

Concealed stay arm system

Concealed side hung top hinge for timber profile



- Sash rebate gap min. 12 mm!

* adjustment of gasket pressure, mm;

** horizontal adjustment, mm.

Description	SRW (mm)	Side opening	A	C	B	kg			Part No.
Concealed side hung top hinge for timber profile, 9 mm, left	320-1280	L	12	—	9	130	10	10	A5024-09-L03
Concealed side hung top hinge for timber profile, 9 mm, right	320-1280	R	12	—	9	130	10	10	A5024-09-R03
Concealed side hung top hinge for timber profile, 13 mm, left	320-1280	L	12	—	13	130	10	10	A5024-13-L03
Concealed side hung top hinge for timber profile, 13 mm, right	320-1280	R	12	—	13	130	10	10	A5024-13-R03
Description	SRW (mm)	Side opening	A	C	B	kg			Part No.
Template for drilling, concealed hinges group, 24 mm	—	L/R	—	—	—	—	Ø3	—	A7145-01-N03

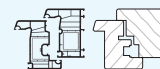
A - sash rebate gap / C - sash overlap / B - sash groove position

AXOR™

ELITE +

Hardware overviews

AXOR


Section content

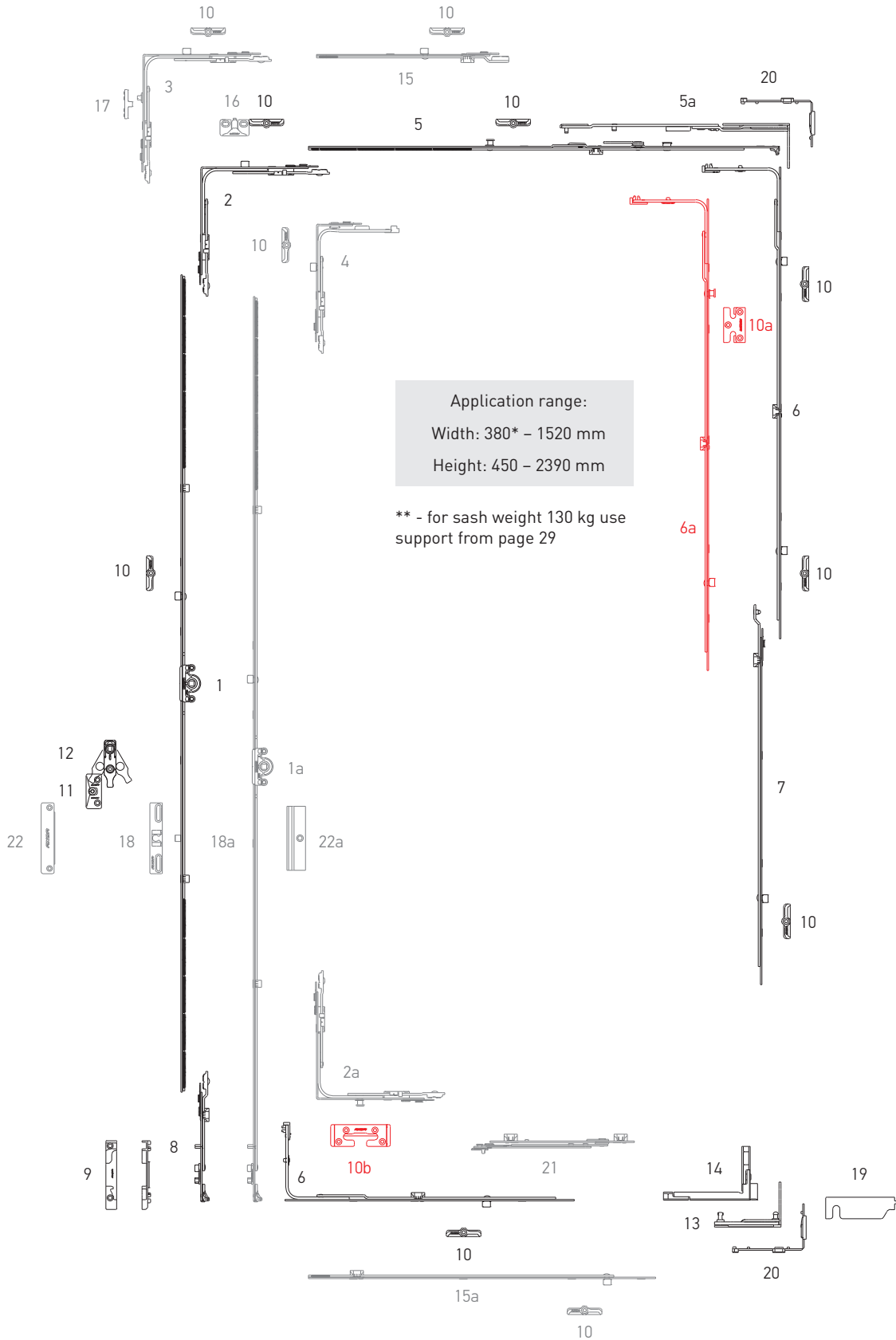
Hardware overviews

	Pages
PVC hardware sets	
Tilt and turn set	26
Tilt and turn set "First Tilt"	29
Advanced turn set	32
Turn set	34
Advanced tilt set	36
Tilt set	38
Double sash set	39
Double sash set "First Tilt"	43
Timber hardware sets 9 system	
Tilt and turn set 9 system	47
Tilt and turn set "First Tilt" 9 system	50
Advanced turn set 9 system	53
Turn set 9 system	55
Advanced tilt set 9 system	57
Tilt set 9 system	59
Double sash set 9 system	60
Double sash set "First Tilt" 9 system	64
Timber hardware sets 13 system	
Tilt and turn set 13 system	68
Tilt and turn set "First Tilt" 13 system	71
Advanced turn set 13 system	74
Turn set 13 system	76
Advanced tilt set 13 system	78
Tilt set 13 system	80
Double sash set 13 system	81
Double sash set "First Tilt" 13 system	85

Tilt and turn set

Hardware overviews

K-3 System. Tilt and turn set



* - with narrow corner transmission



Tilt and turn set

Hardware overviews

N°	Description	Application range by width	Application range by height	Part No.
1	Gear variable 0, L=250, 450-550	–	450-550	K1001-02-N03
	Gear variable 1, L=450, 551-750	–	551-750	K1001-04-N03
	Gear variable 2, L=930, 751-1230, 1 ML	–	751-1230	K1001-09-N03
	Gear variable 3, L=1130, 950-1430, 1 ML	–	950-1430	K1001-11-N03
	Gear variable 4, L=1410, 1231-1710, 2 ML	–	1231-1710	K1001-14-N03
	Gear variable 5, L=1610, 1431-1910, 2 ML	–	1431-1910	K1001-16-N03
	Gear variable 6, L=2090, 1911-2390, 3 ML	–	1911-2390	K1001-21-N03
1a	Constant tilt-turn gear 0, L=400, G=140, 370-550**	–	370-550	K1004-04-N03
	Constant tilt-turn gear 1, L=350, G=175, 400-500**	–	400-500	K1004-03-N03
	Constant tilt-turn gear 2, L=530, G=200, 380-680**	–	380-680	K1004-05-N03
	Constant tilt-turn gear 3, L=770, G=300, 681-920**	–	681-920	K1004-08-N03
	Constant tilt-turn gear 4, L=1010, G=450, 921-1160**	–	921-1160	K1004-10-N03
	Constant tilt-turn gear 5, L=1250, G=600, 1161-1400**	–	1161-1400	K1004-12-N03
	Constant tilt-turn gear 6, L=1490, G=600, 1401-1640**	–	1401-1640	K1004-15-N03
	Constant tilt-turn gear 7, L=1730, G=600, 1641-1880**	–	1641-1880	K1004-17-N03
	Constant tilt-turn gear 8, L=1730, G=1000, 1641-1880**	–	1641-1880	K1004-18-N03
	Constant tilt-turn gear 9, L=1970, G=1000, 1881-2120**	–	1881-2120	K1004-20-N03
Constant tilt-turn gear 10, L=2210, G=1000, 2121-2360**	–	2121-2360	K1004-22-N03	
2	Corner transmission 150x150	480-1280	450-2390	K2001-00-N03
2a	Corner transmission 150x150 security	480-1280	450-2390	K2005-00-N03
3	Corner transmission, integrated slit, left	480-1280	450-2390	K2004-00-L03
	Corner transmission, integrated slit, right	480-1280	450-2390	K2004-00-R03
4	Narrow corner transmission 50x150	380-480	450-2390	K2003-00-N03
		480-680	370-550*	
5	Concealed stay arm connecting plate 1 L=530, 480-680, left	480-680	–	K3030-06-L03
	Concealed stay arm connecting plate 1 L=530, 480-680, right	480-680	–	K3030-06-R03
	Concealed stay arm connecting plate 2 L=650, 600-800, left	600-800	–	K3030-07-L03
	Concealed stay arm connecting plate 2 L=650, 600-800, right	600-800	–	K3030-07-R03
	Concealed stay arm connecting plate 3 L=890, 801-1040, left	801-1040	–	K3030-09-L03
	Concealed stay arm connecting plate 3 L=890, 801-1040, right	801-1040	–	K3030-09-R03
	Concealed stay arm connecting plate 4 L=1130, 1041-1280, left	1041-1280	–	K3030-12-L03
	Concealed stay arm connecting plate 4 L=1130, 1041-1280, right	1041-1280	–	K3030-12-R03
5a	Concealed stay arm PVC, 13 mm, 480-800, left	480-800	–	A3001-02-L03
	Concealed stay arm PVC, 13 mm, 480-800, right	480-800	–	A3001-02-R03
	Concealed stay arm PVC, 13 mm, 801-1040, left	801-1040	–	A3001-03-L03
	Concealed stay arm PVC, 13 mm, 801-1040, right	801-1040	–	A3001-03-R03
	Concealed stay arm PVC, 13 mm, 1041-1280, left	1041-1280	–	A3001-04-L03
	Concealed stay arm PVC, 13 mm, 1041-1280, right	1041-1280	–	A3001-04-R03
	Concealed stay arm PVC, 9 mm, 480-800, left	480-800	–	A3002-02-L03
	Concealed stay arm PVC, 9 mm, 480-800, right	480-800	–	A3002-02-R03
	Concealed stay arm PVC, 9 mm, 801-1040, left	801-1040	–	A3002-03-L03
	Concealed stay arm PVC, 9 mm, 801-1040, right	801-1040	–	A3002-03-R03
	Concealed stay arm PVC, 9 mm, 1041-1280, left	1041-1280	–	A3002-04-L03
	Concealed stay arm PVC, 9 mm, 1041-1280, right	1041-1280	–	A3002-04-R03



Tilt and turn set

Hardware overviews

Nº	Description	Application range by width	Application range by height	Part No.
6	Middle lock L=400, 2 ML	600-1000	600-1000	K4004-04-N03
	Middle lock L=650, 2 ML	850-1250	850-1250	K4004-06-N03
	Middle lock L=720, 2 ML	920-1320	920-1320	K4004-07-N03
	Middle lock L=820, 2 ML	1251-1430	1251-1430	K4004-08-N03
	Middle lock L=1130, 3 ML	-	1251-1730	K4004-11-N03
6a	Middle lock L=400, 1MR + 1 ML	600-1000	600-1000	K4008-04-N03
	Middle lock L=650, 1MR + 1 ML	850-1250	850-1250	K4008-06-N03
	Middle lock L=820, 1MR + 1 ML	1251-1430	1251-1430	K4008-08-N03
	Middle lock L=1130, 1MR + 2 ML	-	1251-1730	K4008-11-N03
7	Middle lock extension 480 mm	-	1710-2210	K4005-05-N03
	Middle lock extension 680 mm	-	2211-2390	K4005-07-N03
8	Bottom extension	-	450-800	K4009-00-N03
		-	801-2390	K4002-00-N03
9	Tilt locking plate, right	-	-	***
	Tilt locking plate, left	-	-	***
10	Locking plate	-	-	***
10a	Locking plate safety	-	-	***
10b	Tilt locking plate safety	-	-	***
11	Lifting plate	-	751-2390	***
12	Wrong operation safety device with sash lifter	-	751-2390	A7001-00-N03
13	Concealed bottom hinge PVC, 9 mm, left	-	-	A5025-09-L03
	Concealed bottom hinge PVC, 9 mm, right	-	-	A5025-09-R03
	Concealed bottom hinge PVC, 13 mm, left	-	-	A5025-13-L03
	Concealed bottom hinge PVC, 13 mm, right	-	-	A5025-13-R03
14	Concealed bottom sash hinge, 9 mm, left	-	-	A5027-09-L03
	Concealed bottom sash hinge, 9 mm, right	-	-	A5027-09-R03
	Concealed bottom sash hinge, 13 mm, left	-	-	A5027-13-L03
	Concealed bottom sash hinge, 13 mm, right	-	-	A5027-13-R03
15	Extension lock 240 mm	-	-	K4003-02-N03
15a	Extension lock for corner transmission L=480 mm	-	-	K4010-00-N03
16	Locking plate, integrated slit	-	-	***
17	Locking plate for integrated slit (frame part)	-	-	***
18	Balcony catch	-	-	A7184-13-N03
18a	Balcony locking pin	-	-	A7207-00-N03
19	Concealed bottom hinge cover, left	-	-	A7141-00-L03
	Concealed bottom hinge cover, right	-	-	A7141-00-R03
20	Concealed hinge packer, 13 mm, left	-	-	A7***-13-L03
	Concealed hinge packer, 13 mm, right	-	-	A7***-13-R03
21	Sash turning restrictor	-	-	A7110-00-N03
22	Magnetic balcony catch, frame part	-	-	A7053-00-N03
22a	Magnetic balcony catch, sash part	-	-	A7055-*-N03

* – with offset relative to center

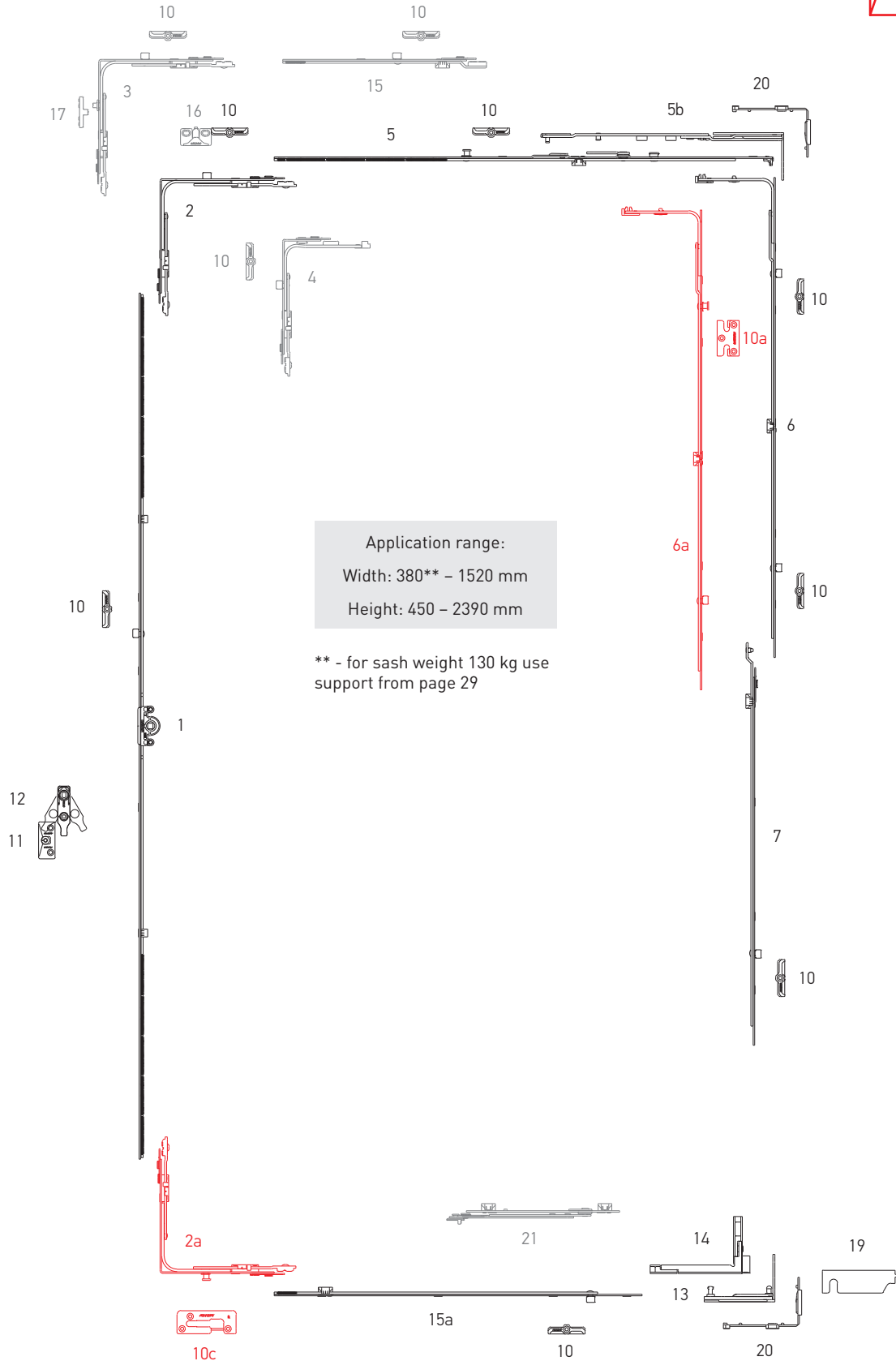
** – according to displacement axis of sash groove (9 mm, 10 mm, 13 mm, 14 mm)

*** – see the section "Profile-dependent elements" of catalogues KOMFORT LINE K-3 or ELITE+

Tilt and turn set "First Tilt"*

Hardware overviews

K-3 System. Tilt and turn set "First Tilt"*



Application range:
 Width: 380** - 1520 mm
 Height: 450 - 2390 mm

** - for sash weight 130 kg use support from page 29

* - tilt before turning
 ** - with narrow corner transmission


Tilt and turn set “First Tilt”

Hardware overviews

Nº	Description	Application range by width	Application range by height	Part No.
1	Gear variable 0, L=250, 450-550	-	450-550	K1001-02-N03
	Gear variable 1, L=450, 551-750	-	551-750	K1001-04-N03
	Gear variable 2, L=930, 751-1230, 1 ML	-	751-1230	K1001-09-N03
	Gear variable 3, L=1130, 950-1430, 1 ML	-	950-1430	K1001-11-N03
	Gear variable 4, L=1410, 1231-1710, 2 ML	-	1231-1710	K1001-14-N03
	Gear variable 5, L=1610, 1431-1910, 2 ML	-	1431-1910	K1001-16-N03
	Gear variable 6, L=2090, 1911-2390, 3 ML	-	1911-2390	K1001-21-N03
2	Corner transmission 150x150	480-1280	450-2390	K2001-00-N03
2a	Corner transmission 150x150 security	480-1280	450-2390	K2005-00-N03
3	Corner transmission, integrated slit, left	480-1280	450-2390	K2004-00-L03
	Corner transmission, integrated slit, right	480-1280	450-2390	K2004-00-R03
4	Narrow corner transmission 50x150	380-480	450-2390	K2003-00-N03
		480-680	370-550*	
5	Concealed stay arm connecting plate 1 L=530, 480-680, left	480-680	-	K3030-06-L03
	Concealed stay arm connecting plate 1 L=530, 480-680, right	480-680	-	K3030-06-R03
	Concealed stay arm connecting plate 2 L=650, 600-800, left	600-800	-	K3030-07-L03
	Concealed stay arm connecting plate 2 L=650, 600-800, right	600-800	-	K3030-07-R03
	Concealed stay arm connecting plate 3 L=890, 801-1040, left	801-1040	-	K3030-09-L03
	Concealed stay arm connecting plate 3 L=890, 801-1040, right	801-1040	-	K3030-09-R03
	Concealed stay arm connecting plate 4 L=1130, 1041-1280, left	1041-1280	-	K3030-12-L03
	Concealed stay arm connecting plate 4 L=1130, 1041-1280, right	1041-1280	-	K3030-12-R03
5b	Concealed stay arm “First Tilt” PVC, 13 mm, 480-800, left	480-800	-	A3005-02-L03
	Concealed stay arm “First Tilt” PVC, 13 mm, 480-800, right	480-800	-	A3005-02-R03
	Concealed stay arm “First Tilt” PVC, 13 mm, 801-1040, left	801-1040	-	A3005-03-L03
	Concealed stay arm “First Tilt” PVC, 13 mm, 801-1040, right	801-1040	-	A3005-03-R03
	Concealed stay arm “First Tilt” PVC, 13 mm, 1041-1280, left	1041-1280	-	A3005-04-L03
	Concealed stay arm “First Tilt” PVC, 13 mm, 1041-1280, right	1041-1280	-	A3005-04-R03
	Concealed stay arm “First Tilt” PVC, 9 mm, 480-800, left	480-800	-	A3006-02-L03
	Concealed stay arm “First Tilt” PVC, 9 mm, 480-800, right	480-800	-	A3006-02-R03
	Concealed stay arm “First Tilt” PVC, 9 mm, 801-1040, left	801-1040	-	A3006-03-L03
	Concealed stay arm “First Tilt” PVC, 9 mm, 801-1040, right	801-1040	-	A3006-03-R03
	Concealed stay arm “First Tilt” PVC, 9 mm, 1041-1280, left	1041-1280	-	A3006-04-L03
	Concealed stay arm “First Tilt” PVC, 9 mm, 1041-1280, right	1041-1280	-	A3006-04-R03
6	Middle lock L=400, 2 ML	600-1000	600-1000	K4004-04-N03
	Middle lock L=650, 2 ML	850-1250	850-1250	K4004-06-N03
	Middle lock L=720, 2 ML	920-1320	920-1320	K4004-07-N03
	Middle lock L=820, 2 ML	1251-1430	1251-1430	K4004-08-N03
	Middle lock L=1130, 3 ML	-	1251-1730	K4004-11-N03



Tilt and turn set “First Tilt”

Hardware overviews

Nº	Description	Application range by width	Application range by height	Part No.
6a	Middle lock L=400, 1MR + 1 ML	600-1000	600-1000	K4008-04-N03
	Middle lock L=650, 1MR + 1 ML	850-1250	850-1250	K4008-06-N03
	Middle lock L=820, 1MR + 1 ML	1251-1430	1251-1430	K4008-08-N03
	Middle lock L=1130, 1MR + 2 ML	–	1251-1730	K4008-11-N03
7	Middle lock extension L=480	–	850-1230	K4005-05-N03
	Middle lock extension L=680	–	1231-1430	K4005-07-N03
10	Locking plate	–	–	***
10a	Locking plate safety	–	–	***
10c	Tilt locking plate, “First Tilt”, left / right	–	–	***
11	Lifting plate	–	–	***
12	Wrong operation safety device with sash lifter	–	751-2390	A7001-00-N03
13	Concealed bottom hinge PVC, 9 mm, left	–	–	A5025-09-L03
	Concealed bottom hinge PVC, 9 mm, right	–	–	A5025-09-R03
	Concealed bottom hinge PVC, 13 mm, left	–	–	A5025-13-L03
	Concealed bottom hinge PVC, 13 mm, right	–	–	A5025-13-R03
14	Concealed bottom sash hinge, 9 mm, left	–	–	A5027-09-L03
	Concealed bottom sash hinge, 9 mm, right	–	–	A5027-09-R03
	Concealed bottom sash hinge, 13 mm, left	–	–	A5027-13-L03
	Concealed bottom sash hinge, 13 mm, right	–	–	A5027-13-R03
15	Extension lock 240 mm	–	–	K4003-02-N03
15a	Extension lock for corner transmission L=480 mm	–	–	K4010-00-N03
16	Locking plate, integrated slit	–	–	***
17	Locking plate for integrated slit (frame part)	–	–	***
19	Concealed bottom hinge cover, left	–	–	A7141-00-L03
	Concealed bottom hinge cover, right	–	–	A7141-00-R03
20	Concealed hinge packer, 13 mm, left	–	–	A7***-13-L03
	Concealed hinge packer, 13 mm, right	–	–	A7***-13-R03
21	Sash turning restrictor	–	–	A7110-00-N03

* – with offset relative to center

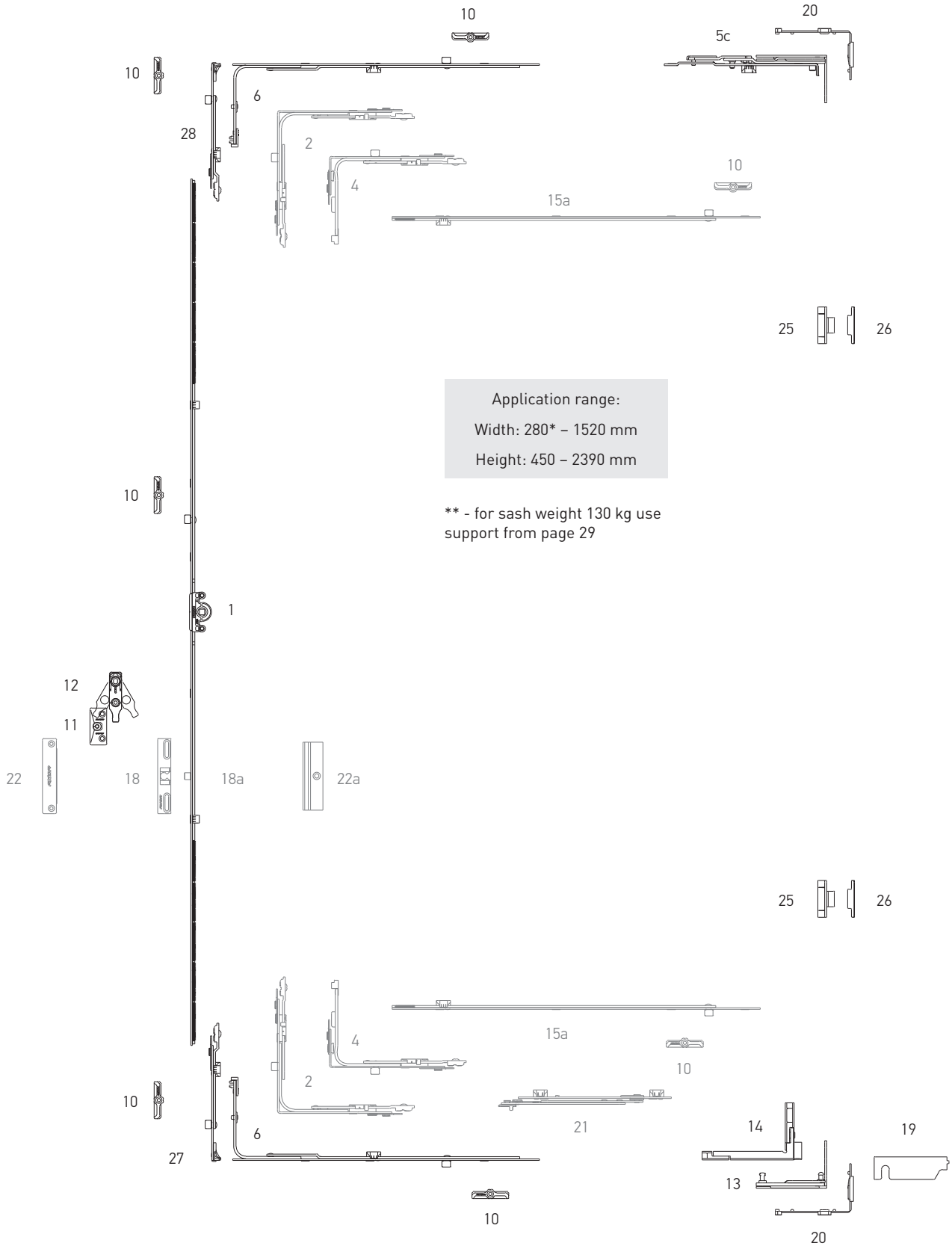
** – according to displacement axis of sash groove (9 mm, 10 mm, 13 mm, 14 mm)

*** – see the section “Profile-dependent elements” of catalogues KOMFORT LINE K-3 or ELITE+

Turn set

Hardware overviews

K-3 System. Turn set



* without using of middle lock



Turn set

Hardware overviews

N°	Description	Application range by width	Application range by height	Part No.
1	Gear variable 0, L=250, 450-550	–	450-550	K1001-02-N03
	Gear variable 1, L=450, 551-750	–	551-750	K1001-04-N03
	Gear variable 2, L=930, 751-1230, 1 ML	–	751-1230	K1001-09-N03
	Gear variable 3, L=1130, 950-1430, 1 ML	–	950-1430	K1001-11-N03
	Gear variable 4, L=1410, 1231-1710, 2 ML	–	1231-1710	K1001-14-N03
	Gear variable 5, L=1610, 1431-1910, 2 ML	–	1431-1910	K1001-16-N03
	Gear variable 6, L=2090, 1911-2390, 3 ML	–	1911-2390	K1001-21-N03
2	Corner transmission 150x150	480-1280	450-2390	K2001-00-N03
4	Narrow corner transmission 50x150	380-480	450-2390	K2003-00-N03
		480-680	350-550	
5c	Concealed side hung top hinge PVC, 9 mm, left	–	–	A5023-09-L03
	Concealed side hung top hinge PVC, 9 mm, right	–	–	A5023-09-R03
	Concealed side hung top hinge PVC, 13 mm, left	–	–	A5023-13-L03
	Concealed side hung top hinge PVC, 13 mm, right	–	–	A5023-13-R03
6	Middle lock L=400, 1 ML	600-1000	600-1000	K4001-04-N03
	Middle lock L=650, 1 ML	850-1250	850-1250	K4001-06-N03
	Middle lock L=720, 1 ML	920-1320	920-1320	K4001-07-N03
	Middle lock L=820, 2 ML	1251-1430	1251-1430	K4001-08-N03
	Middle lock L=1130, 2 ML	–	1251-1730	K4001-11-N03
10	Locking plate	–	–	**
11	Lifting plate	–	751-2390	**
12	Wrong operation safety device with sash lifter	–	751-2390	A7001-00-N03
13	Concealed bottom hinge PVC, 9 mm, left	–	–	A5025-09-L03
	Concealed bottom hinge PVC, 9 mm, right	–	–	A5025-09-R03
	Concealed bottom hinge PVC, 13 mm, left	–	–	A5025-13-L03
	Concealed bottom hinge PVC, 13 mm, right	–	–	A5025-13-R03
14	Concealed bottom sash hinge, 9 mm, left	–	–	A5027-09-L03
	Concealed bottom sash hinge, 9 mm, right	–	–	A5027-09-R03
	Concealed bottom sash hinge, 13 mm, left	–	–	A5027-13-L03
	Concealed bottom sash hinge, 13 mm, right	–	–	A5027-13-R03
15a	Extension lock for corner transmission L=480 mm	–	–	K4010-00-N03
18	Balcony catch	–	–	A7184-13-N03
18a	Balcony locking pin	–	–	A7207-00-N03
19	Concealed bottom hinge cover, left	–	–	A7141-00-L03
	Concealed bottom hinge cover, right	–	–	A7141-00-R03
20	Concealed hinge packer, 13 mm, left	–	–	A7**-13-L03
	Concealed hinge packer, 13 mm, right	–	–	A7**-13-R03
21	Sash turning restrictor	–	–	A7110-00-N03
22	Magnetic balcony catch, frame part	–	–	A7053-00-N03
22a	Magnetic balcony catch, sash part	–	–	A7055-*-N03
25	Concealed middle hinge, sash part	–	–	A7056-00-N03
26	Concealed middle hinge, frame part	–	–	A7057-*-N03
27	Bottom extension for turn sash 90°	–	–	K4007-00-N03
28	Bottom extension for turn sash 180°	–	–	K4011-00-N03

* – according to displacement axis of sash groove (9 mm, 10 mm, 13 mm, 14 mm)

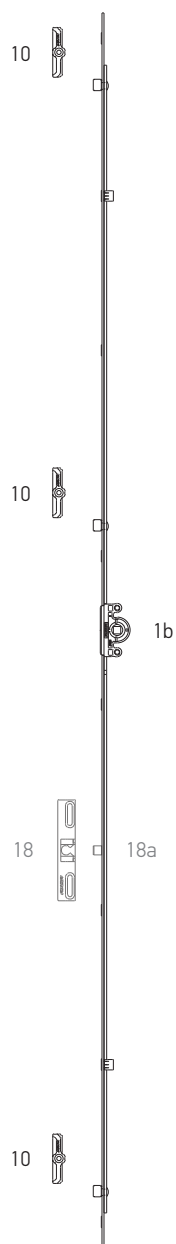
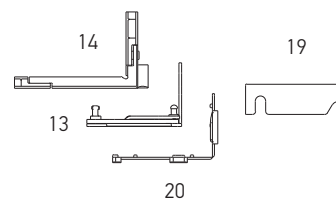
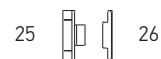
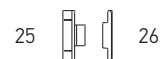
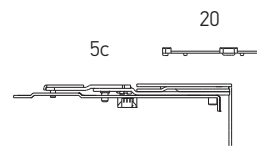
** – see the section "Profile-dependent elements" of catalogues KOMFORT LINE K-3 or ELITE+



Turn set

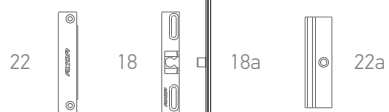
Hardware overviews

K-3 System. Turn set



Application range:
 Width: 280 – 700 mm
 Height: 300 – 2400 mm

* - for sash weight 130 kg use support from page 29





Turn set

Hardware overviews

N°	Description	Application range by width	Application range by height	Part No.
1b	Gear variable 1 L=300, 300 - 500, 2ML	380-700	300-500	K1003-03-N03A
	Gear variable 2 L=400, 401 - 600, 2ML		401-600	K1003-04-N03A
	Gear variable 3 L=600, 601 - 800, 2ML		601-800	K1003-06-N03A
	Gear variable 4 L=800, 801 - 1000, 2 ML		801-1000	K1003-08-N03A
	Gear variable 5 L=1000, 1001 - 1200, 3 ML		1001-1200	K1003-10-N03A
	Gear variable 6 L=1200, 1201 - 1400, 3ML		1201-1400	K1003-12-N03A
	Gear variable 7 L=1400, 1401 - 1600, 3ML		1401-1600	K1003-14-N03A
	Gear variable 8 L=1600, 1601 - 1800, 4ML		1601-1800	K1003-16-N03A
	Gear variable 9 L=1800, 1801 - 2000, 4ML		1801-2000	K1003-18-N03A
	Gear variable 10 L=2000, 2001 - 2200, 4ML		2001-2200	K1003-20-N03A
	Gear variable 11 L=2200, 2201 - 2400, 4ML		2201-2400	K1003-22-N03A
5c	Concealed side hung top hinge PVC, 9 mm, left	-	-	A5023-09-L03
	Concealed side hung top hinge PVC, 9 mm, right	-	-	A5023-09-R03
	Concealed side hung top hinge PVC, 13 mm, left	-	-	A5023-13-L03
	Concealed side hung top hinge PVC, 13 mm, right	-	-	A5023-13-R03
10	Locking plate	-	-	**
13	Concealed bottom hinge PVC, 9 mm, left	-	-	A5025-09-L03
	Concealed bottom hinge PVC, 9 mm, right	-	-	A5025-09-R03
	Concealed bottom hinge PVC, 13 mm, left	-	-	A5025-13-L03
	Concealed bottom hinge PVC, 13 mm, right	-	-	A5025-13-R03
14	Concealed bottom sash hinge, 9 mm, left	-	-	A5027-09-L03
	Concealed bottom sash hinge, 9 mm, right	-	-	A5027-09-R03
	Concealed bottom sash hinge, 13 mm, left	-	-	A5027-13-L03
	Concealed bottom sash hinge, 13 mm, right	-	-	A5027-13-R03
18	Balcony catch	-	-	A7184-13-N03
18a	Balcony locking pin	-	-	A7207-00-N03
19	Concealed bottom hinge cover, left	-	-	A7141-00-L03
	Concealed bottom hinge cover, right	-	-	A7141-00-R03
20	Concealed hinge packer, 13 mm, left	-	-	A7**-13-L03
	Concealed hinge packer, 13 mm, right	-	-	A7**-13-R03
22	Magnetic balcony catch, frame part	-	-	A7053-00-N03
22a	Magnetic balcony catch, sash part	-	-	A7055-*-N03
25	Concealed middle hinge, sash part	-	-	A7056-00-N03
26	Concealed middle hinge, frame part	-	-	A7057-*-N03

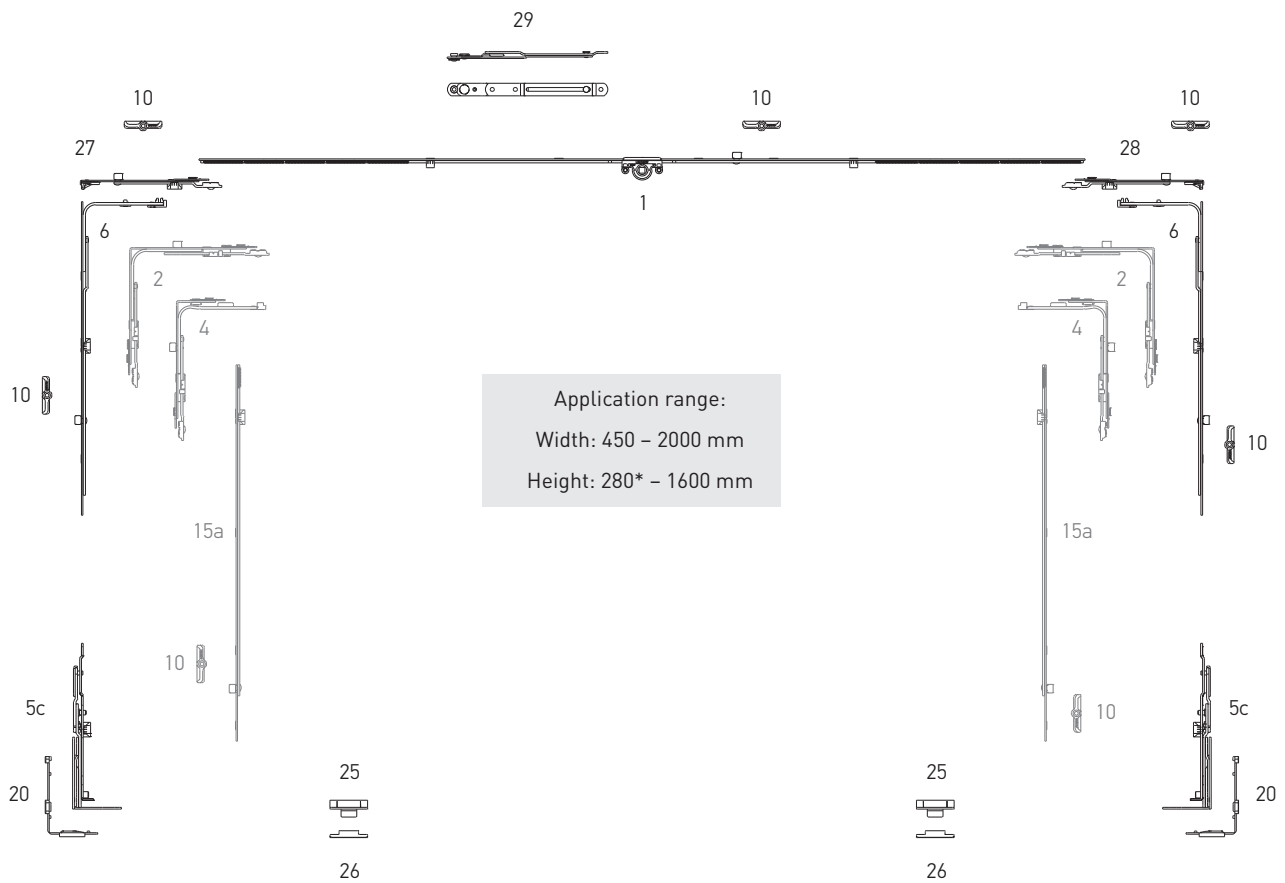
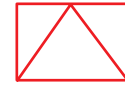
* – according to displacement axis of sash groove (9 mm, 10 mm, 13 mm, 14 mm)

** – see the section "Profile-dependent elements" of catalogues KOMFORT LINE K-3 or ELITE+

Tilt set

Hardware overviews

K-3 System. Tilt set



* - without using of middle lock



Tilt set

Hardware overviews

N°	Description	Application range by width	Application range by height	Part No.
1	Gear variable 0, L=250, 450-550	–	450-550	K1001-02-N03
	Gear variable 1, L=450, 551-750	–	551-750	K1001-04-N03
	Gear variable 2, L=930, 751-1230, 1 ML	–	751-1230	K1001-09-N03
	Gear variable 3, L=1130, 950-1430, 1 ML	–	950-1430	K1001-11-N03
	Gear variable 4, L=1410, 1231-1710, 2 ML	–	1231-1710	K1001-14-N03
	Gear variable 5, L=1610, 1431-1910, 2 ML	–	1431-1910	K1001-16-N03
	Gear variable 6, L=2090, 1911-2390, 3 ML	–	1911-2390	K1001-21-N03
2	Corner transmission 150x150	480-1280	450-2390	K2001-00-N03
4	Narrow corner transmission 50x150	380-480	450-2390	K2003-00-N03
		480-680	350-550	
5c	Concealed side hung top hinge PVC, 9 mm, left	–	–	A5023-09-L03
	Concealed side hung top hinge PVC, 9 mm, right	–	–	A5023-09-R03
	Concealed side hung top hinge PVC, 13 mm, left	–	–	A5023-13-L03
	Concealed side hung top hinge PVC, 13 mm, right	–	–	A5023-13-R03
6	Middle lock L=400, 1 ML	–	600-1000	K4001-04-N03
	Middle lock L=650, 1 ML	–	850-1250	K4001-06-N03
	Middle lock L=720, 1 ML	–	920-1320	K4001-07-N03
	Middle lock L=820, 1 ML	–	1251-1430	K4001-08-N03
	Middle lock L=1130, 2 ML	–	1251-1730	K4001-11-N03
10	Locking plate	–	–	**
15a	Extension lock for corner transmission L=480 mm	–	–	K4010-00-N03
20	Concealed hinge packer, 13 mm, left	–	–	A7**-13-L03
	Concealed hinge packer, 13 mm, right	–	–	A7**-13-R03
25	Concealed middle hinge, sash part	–	–	A7056-00-N03
26	Concealed middle hinge, frame part	–	–	A7057-*-N03
27	Bottom extension for turn sash 90°	–	–	K4007-00-N03
28	Bottom extension for turn sash 180°	–	–	K4011-00-N03
29	Tilt stay arm	–	–	A7017-00-N03

* – according to displacement axis of sash groove (9 mm, 10 mm, 13 mm, 14 mm)

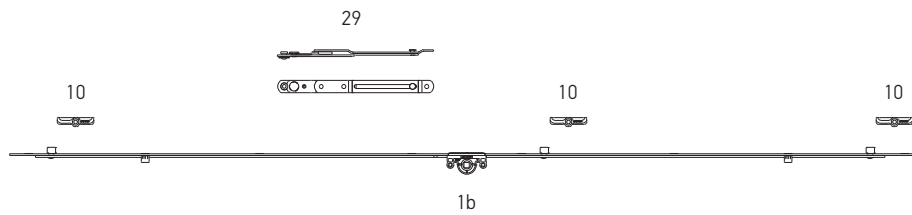
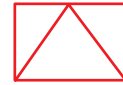
** – see the section "Profile-dependent elements" of catalogues KOMFORT LINE K-3 or ELITE+



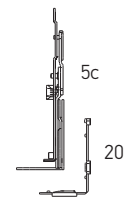
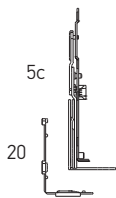
Tilt set

Hardware overviews

K-3 System. Tilt set



Application range:
Width: 300 – 2000 mm
Height: 280 – 700 mm



Nº	Description	Application range by width	Application range by height	Part No.
1b	Gear variable 1 L=300, 300 - 500, 2ML	300-500	280-700	K1003-03-N03A
	Gear variable 2 L=400, 401 - 600, 2ML	401-600		K1003-04-N03A
	Gear variable 3 L=600, 601 - 800, 2ML	601-800		K1003-06-N03A
	Gear variable 4 L=800, 801 - 1000, 2 ML	801-1000		K1003-08-N03A
	Gear variable 5 L=1000, 1001 - 1200, 3 ML	1001-1200		K1003-10-N03A
	Gear variable 6 L=1200, 1201 - 1400, 3ML	1201-1400		K1003-12-N03A
	Gear variable 7 L=1400, 1401 - 1600, 3ML	1401-1600		K1003-14-N03A
	Gear variable 8 L=1600, 1601 - 1800, 4ML	1601-1800		K1003-16-N03A
	Gear variable 9 L=1800, 1801 - 2000, 4ML	1801-2000		K1003-18-N03A
	Gear variable 10 L=2000, 2001 - 2200, 4ML	2001-2200		K1003-20-N03A
	Gear variable 11 L=2200, 2201 - 2400, 4ML	2201-2400		K1003-22-N03A
5c	Concealed side hung top hinge PVC, 9 mm, left	-	-	A5023-09-L03
	Concealed side hung top hinge PVC, 9 mm, right	-	-	A5023-09-R03
	Concealed side hung top hinge PVC, 13 mm, left	-	-	A5023-13-L03
	Concealed side hung top hinge PVC, 13 mm, right	-	-	A5023-13-R03
10	Locking plate	-	-	**
20	Concealed hinge packer, 13 mm, left	-	-	A7**-13-L03
	Concealed hinge packer, 13 mm, right	-	-	A7**-13-R03
25	Concealed middle hinge, sash part	-	-	A7056-00-N03
26	Concealed middle hinge, frame part	-	-	A7057-* -N03
29	Tilt stay arm	-	-	A7017-00-N03

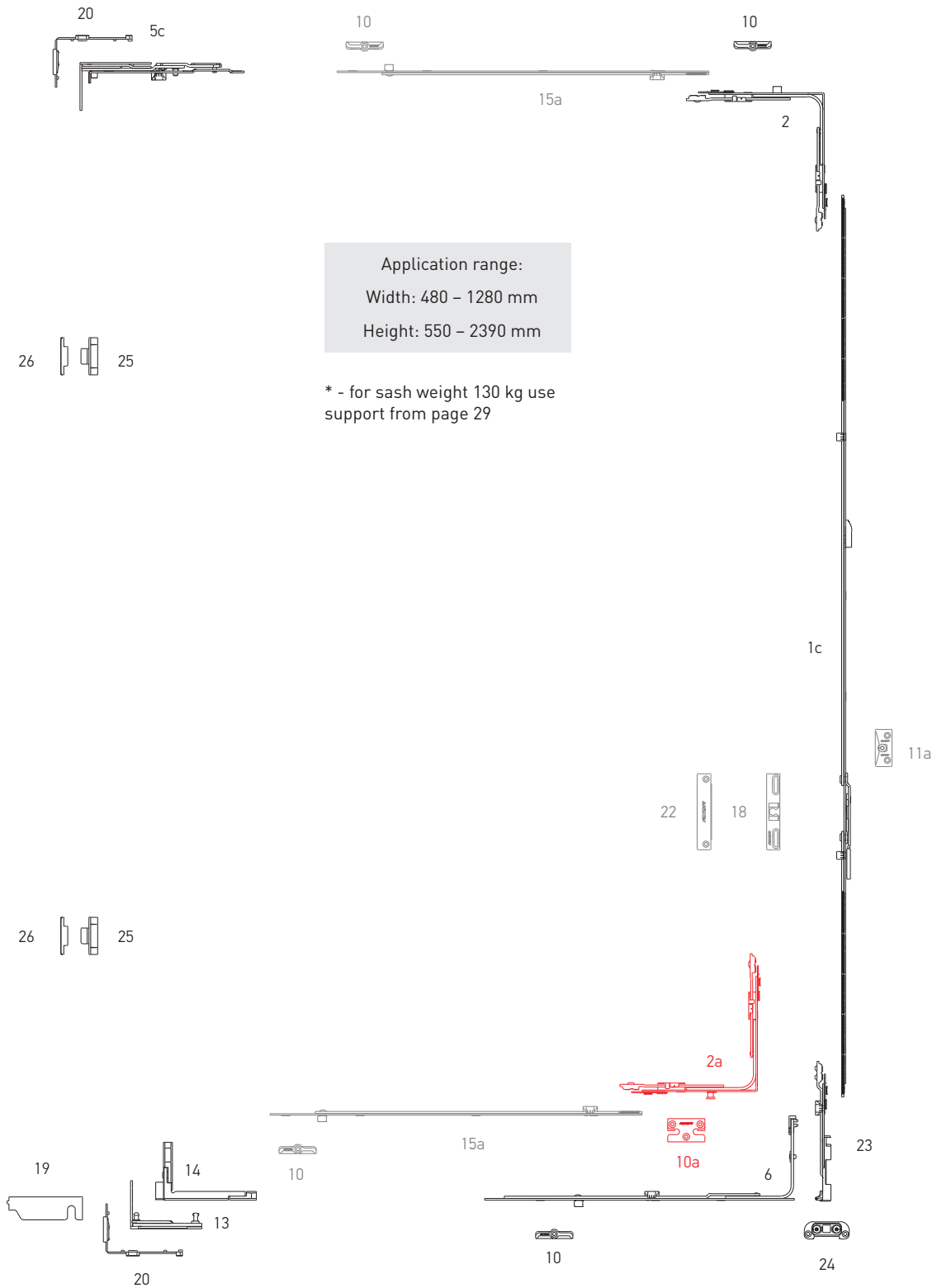
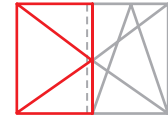
* – according to displacement axis of sash groove (9 mm, 10 mm, 13 mm, 14 mm)

** – see the section "Profile-dependent elements" of catalogues KOMFORT LINE K-3 or ELITE+

Double sash

Hardware overviews

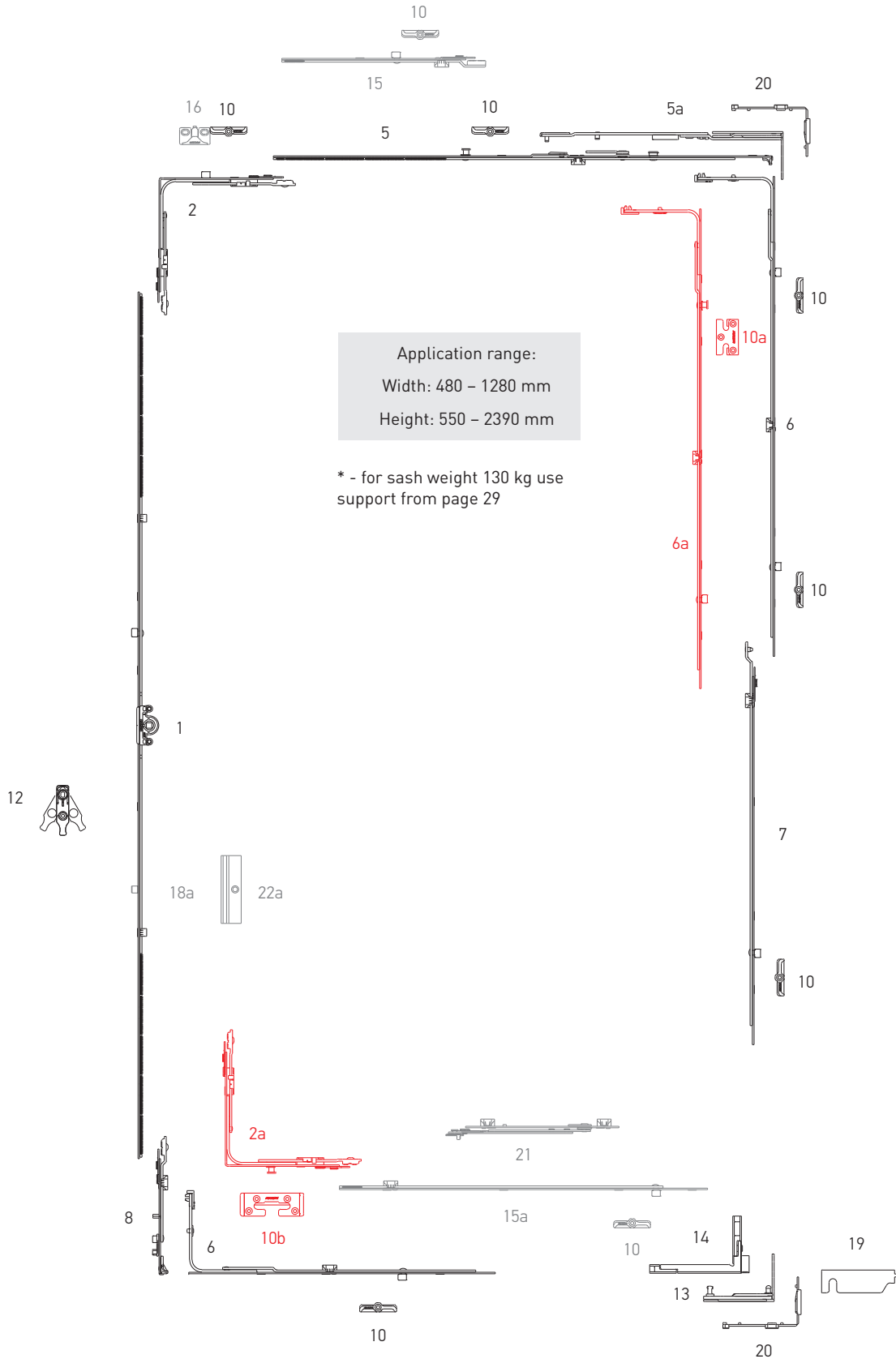
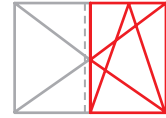
K-3 System. Secondary sash of double-sash window



Double sash

Hardware overviews

K-3 System. Main sash





Double sash

Hardware overviews

N°	Description	Application range by width	Application range by height	Part No.
1	Gear variable 1, L=450, 551-750	–	551-750	K1001-04-N03
	Gear variable 2, L=930, 751-1230, 1 ML	–	751-1230	K1001-09-N03
	Gear variable 3, L=1130, 950-1430, 1 ML	–	950-1430	K1001-11-N03
	Gear variable 5, L=1610, 1431-1910, 2 ML	–	1431-1910	K1001-16-N03
	Gear variable 6, L=2090, 1911-2390, 3 ML	–	1911-2390	K1001-21-N03
1c	Double sash lever espagnolette variable 1 L=450, 551-750	–	551-750	K1002-04-N03
	Double sash lever espagnolette variable 2 L=650, 751-950	–	751-950	K1002-06-N03
	Double sash lever espagnolette variable 3 L=1130, 951-1430	–	951-1430	K1002-11-N03
	Double sash lever espagnolette variable 4 L=1610, 1431-1910	–	1431-1910	K1002-16-N03
	Double sash lever espagnolette variable 5 L=2090, 1911-2390	–	1911-2390	K1002-21-N03
2	Corner transmission 150x150	480-1280	450-2390	K2001-00-N03
2a	Corner transmission 150x150 security	480-1280	450-2390	K2005-00-N03
5	Concealed stay arm connecting plate 1 L=530, 480-680, left	480-680	–	K3030-06-L03
	Concealed stay arm connecting plate 1 L=530, 480-680, right	480-680	–	K3030-06-R03
	Concealed stay arm connecting plate 2 L=650, 600-800, left	600-800	–	K3030-07-L03
	Concealed stay arm connecting plate 2 L=650, 600-800, right	600-800	–	K3030-07-R03
	Concealed stay arm connecting plate 3 L=890, 801-1040, left	801-1040	–	K3030-09-L03
	Concealed stay arm connecting plate 3 L=890, 801-1040, right	801-1040	–	K3030-09-R03
	Concealed stay arm connecting plate 4 L=1130, 1041-1280, left	1041-1280	–	K3030-12-L03
	Concealed stay arm connecting plate 4 L=1130, 1041-1280, right	1041-1280	–	K3030-12-R03
5a	Concealed stay arm PVC, 13 mm, 480-800, left	480-800	–	A3001-02-L03
	Concealed stay arm PVC, 13 mm, 480-800, right	480-800	–	A3001-02-R03
	Concealed stay arm PVC, 13 mm, 801-1040, left	801-1040	–	A3001-03-L03
	Concealed stay arm PVC, 13 mm, 801-1040, right	801-1040	–	A3001-03-R03
	Concealed stay arm PVC, 13 mm, 1041-1280, left	1041-1280	–	A3001-04-L03
	Concealed stay arm PVC, 13 mm, 1041-1280, right	1041-1280	–	A3001-04-R03
	Concealed stay arm PVC, 9 mm, 480-800, left	480-800	–	A3002-02-L03
	Concealed stay arm PVC, 9 mm, 480-800, right	480-800	–	A3002-02-R03
	Concealed stay arm PVC, 9 mm, 801-1040, left	801-1040	–	A3002-03-L03
	Concealed stay arm PVC, 9 mm, 801-1040, right	801-1040	–	A3002-03-R03
	Concealed stay arm PVC, 9 mm, 1041-1280, left	1041-1280	–	A3002-04-L03
	Concealed stay arm PVC, 9 mm, 1041-1280, right	1041-1280	–	A3002-04-R03
5c	Concealed side hung top hinge PVC, 9 mm, left	–	–	A5023-09-L03
	Concealed side hung top hinge PVC, 9 mm, right	–	–	A5023-09-R03
	Concealed side hung top hinge PVC, 13 mm, left	–	–	A5023-13-L03
	Concealed side hung top hinge PVC, 13 mm, right	–	–	A5023-13-R03
6	Middle lock L=400, 2 ML	600-1000	600-1000	K4004-04-N03
	Middle lock L=650, 2 ML	850-1250	850-1250	K4004-06-N03
	Middle lock L=720, 2 ML	920-1320	920-1320	K4004-07-N03
	Middle lock L=820, 2 ML	1251-1430	1251-1430	K4004-08-N03
	Middle lock L=1130, 3 ML	–	1251-1730	K4004-11-N03



Double sash

Hardware overviews

N°	Description	Application range by width	Application range by height	Part No.
6a	Middle lock L=400, 1MR + 1 ML	600-1000	600-1000	K4008-04-N03
	Middle lock L=650, 1MR + 1 ML	850-1250	850-1250	K4008-06-N03
	Middle lock L=820, 1MR + 1 ML	1251-1430	1251-1430	K4008-08-N03
	Middle lock L=1130, 1MR + 2 ML	–	1251-1730	K4008-11-N03
7	Middle lock extension 480 mm	–	1710-2210	K4005-05-N03
	Middle lock extension 680 mm	–	2231-2390	K4005-07-N03
8	Bottom extension	–	450-800	K4009-00-N03
		–	801-2390	K4002-00-N03
10	Locking plate	–	–	**
10a	Locking plate safety	–	–	**
10b	Tilt locking plate safety	–	–	**
11a	Lifting plate for double sash, sash part	–	–	A6001-00-N03
12	Wrong operation safety device with sash lifter	–	751-2390	A7001-00-N03
13	Concealed bottom hinge PVC, 9 mm, left	–	–	A5025-09-L03
	Concealed bottom hinge PVC, 9 mm, right	–	–	A5025-09-R03
	Concealed bottom hinge PVC, 13 mm, left	–	–	A5025-13-L03
	Concealed bottom hinge PVC, 13 mm, right	–	–	A5025-13-R03
14	Concealed bottom sash hinge, 9 mm, left	–	–	A5027-09-L03
	Concealed bottom sash hinge, 9 mm, right	–	–	A5027-09-R03
	Concealed bottom sash hinge, 13 mm, left	–	–	A5027-13-L03
	Concealed bottom sash hinge, 13 mm, right	–	–	A5027-13-R03
15	Extension lock 240 mm	–	–	K4003-02-N03
15a	Extension lock for corner transmission L=480 mm	–	–	K4010-00-N03
16	Locking plate, integrated slit	–	–	**
18	Balcony catch	–	–	A7184-13-N03
18a	Balcony locking pin	–	–	A7207-00-N03
19	Concealed bottom hinge cover, left	–	–	A7141-00-L03
	Concealed bottom hinge cover, right	–	–	A7141-00-R03
20	Concealed hinge packer, 13 mm, left	–	–	A7**-13-L03
	Concealed hinge packer, 13 mm, right	–	–	A7**-13-R03
21	Sash turning restrictor	–	–	A7110-00-N03
22	Magnetic balcony catch, frame part	–	–	A7053-00-N03
22a	Magnetic balcony catch, sash part	–	–	A7055-*-N03
23	Shoot bolt bottom	–	–	K4006-00-N03
24	Locking plate adjustable for shoot bolt	–	–	**

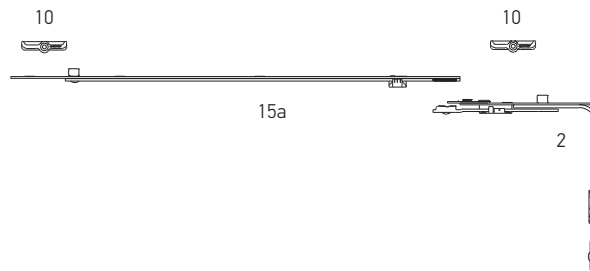
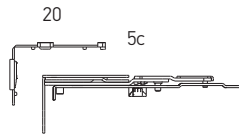
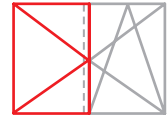
* – according to displacement axis of sash groove (9 mm, 10 mm, 13 mm, 14 mm)

** – see the section "Profile-dependent elements" of catalogues KOMFORT LINE K-3 or ELITE+

Double sash "First Tilt"

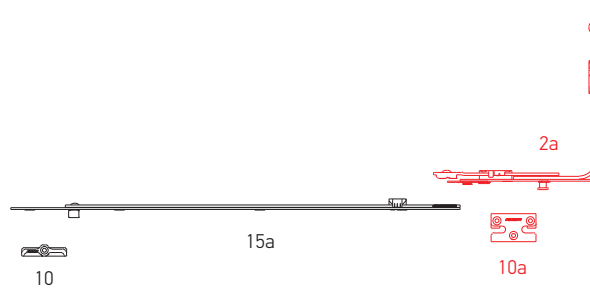
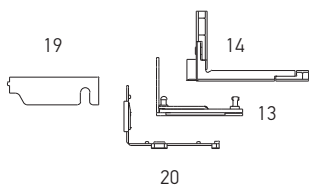
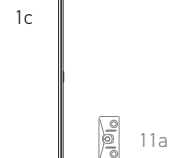
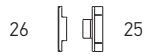
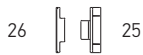
Hardware overviews

K-3 System. Secondary sash of double-sash window "First Tilt"



Application range:
Width: 480 – 1280 mm
Height: 550 – 2390 mm

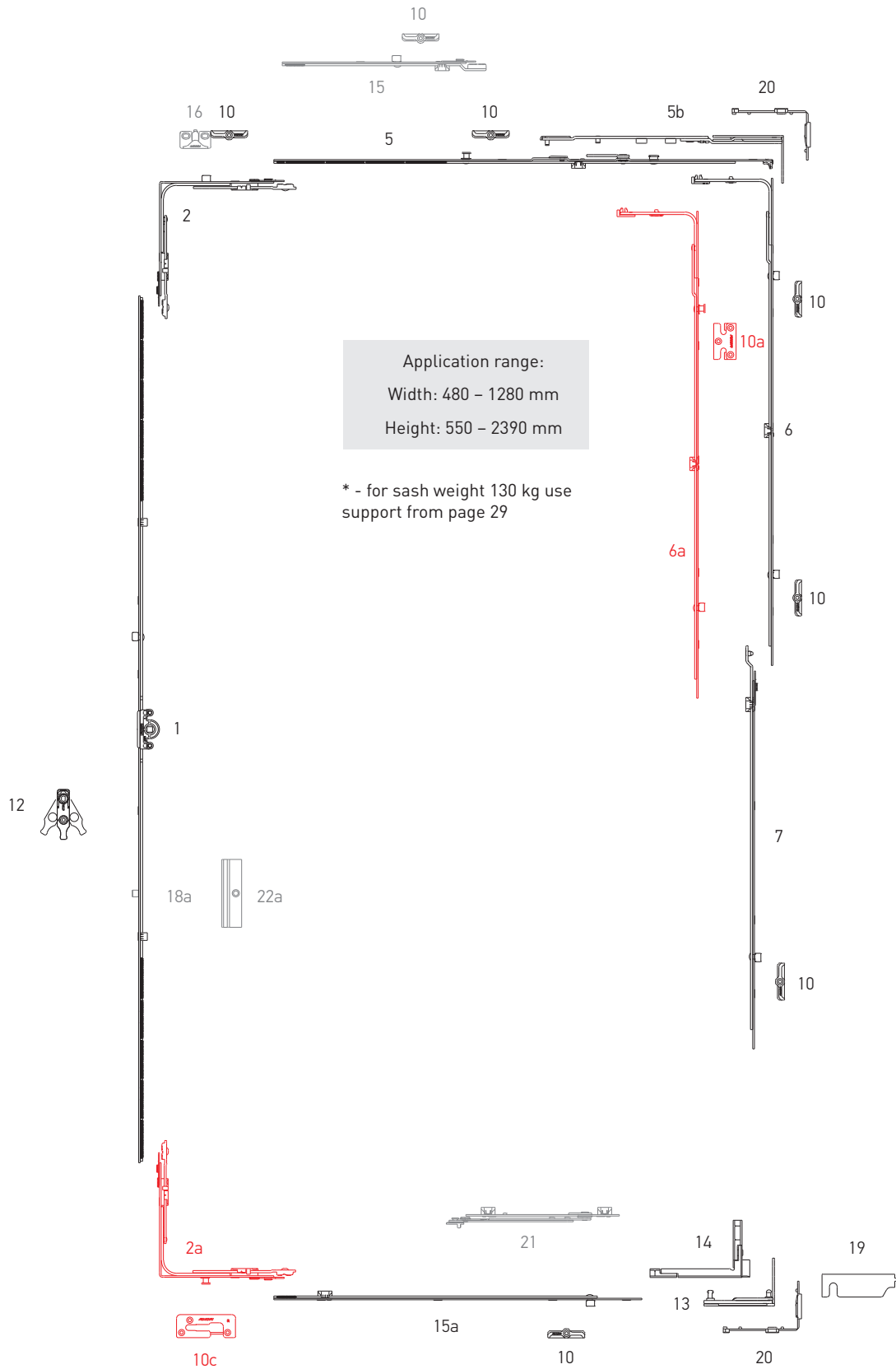
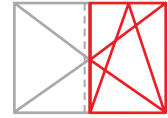
* - for sash weight 130 kg use support from page 29



Double sash "First Tilt"

Hardware overviews

K-3 System. Main sash "First Tilt"





Double sash “First Tilt”

Hardware overviews

N°	Description	Application range by width	Application range by height	Part No.
1	Gear variable 1, L=450, 551-750	–	551-750	K1001-04-N03
	Gear variable 2, L=930, 751-1230, 1 ML	–	751-1230	K1001-09-N03
	Gear variable 3, L=1130, 950-1430, 1 ML	–	950-1430	K1001-11-N03
	Gear variable 5, L=1610, 1431-1910, 2 ML	–	1431-1910	K1001-16-N03
	Gear variable 6, L=2090, 1911-2390, 3 ML	–	1911-2390	K1001-21-N03
1c	Double sash lever espagnolette variable 1 L=450, 551-750	–	551-750	K1002-04-N03
	Double sash lever espagnolette variable 2 L=650, 751-950	–	751-950	K1002-06-N03
	Double sash lever espagnolette variable 3 L=1130, 951-1430	–	951-1430	K1002-11-N03
	Double sash lever espagnolette variable 4 L=1610, 1431-1910	–	1431-1910	K1002-16-N03
	Double sash lever espagnolette variable 5 L=2090, 1911-2390	–	1911-2390	K1002-21-N03
2	Corner transmission 150x150	480-1280	450-2390	K2001-00-N03
2a	Corner transmission 150x150 security	480-1280	450-2390	K2005-00-N03
5	Concealed stay arm connecting plate 1 L=530, 480-680, left	480-680	–	K3030-06-L03
	Concealed stay arm connecting plate 1 L=530, 480-680, right	480-680	–	K3030-06-R03
	Concealed stay arm connecting plate 2 L=650, 600-800, left	600-800	–	K3030-07-L03
	Concealed stay arm connecting plate 2 L=650, 600-800, right	600-800	–	K3030-07-R03
	Concealed stay arm connecting plate 3 L=890, 801-1040, left	801-1040	–	K3030-09-L03
	Concealed stay arm connecting plate 3 L=890, 801-1040, right	801-1040	–	K3030-09-R03
	Concealed stay arm connecting plate 4 L=1130, 1041-1280, left	1041-1280	–	K3030-12-L03
	Concealed stay arm connecting plate 4 L=1130, 1041-1280, right	1041-1280	–	K3030-12-R03
5b	Concealed stay arm “First Tilt” PVC, 13 mm, 480-800, left	480-800	–	A3005-02-L03
	Concealed stay arm “First Tilt” PVC, 13 mm, 480-800, right	480-800	–	A3005-02-R03
	Concealed stay arm “First Tilt” PVC, 13 mm, 801-1040, left	801-1040	–	A3005-03-L03
	Concealed stay arm “First Tilt” PVC, 13 mm, 801-1040, right	801-1040	–	A3005-03-R03
	Concealed stay arm “First Tilt” PVC, 13 mm, 1041-1280, left	1041-1280	–	A3005-04-L03
	Concealed stay arm “First Tilt” PVC, 13 mm, 1041-1280, right	1041-1280	–	A3005-04-R03
	Concealed stay arm “First Tilt” PVC, 9 mm, 480-800, left	480-800	–	A3006-02-L03
	Concealed stay arm “First Tilt” PVC, 9 mm, 480-800, right	480-800	–	A3006-02-R03
	Concealed stay arm “First Tilt” PVC, 9 mm, 801-1040, left	801-1040	–	A3006-03-L03
	Concealed stay arm “First Tilt” PVC, 9 mm, 801-1040, right	801-1040	–	A3006-03-R03
	Concealed stay arm “First Tilt” PVC, 9 mm, 1041-1280, left	1041-1280	–	A3006-04-L03
	Concealed stay arm “First Tilt” PVC, 9 mm, 1041-1280, right	1041-1280	–	A3006-04-R03
5c	Concealed side hung top hinge PVC, 9 mm, left	–	–	A5023-09-L03
	Concealed side hung top hinge PVC, 9 mm, right	–	–	A5023-09-R03
	Concealed side hung top hinge PVC, 13 mm, left	–	–	A5023-13-L03
	Concealed side hung top hinge PVC, 13 mm, right	–	–	A5023-13-R03
6	Middle lock L=400, 2 ML	600-1000	600-1000	K4004-04-N03
	Middle lock L=650, 2 ML	850-1250	850-1250	K4004-06-N03
	Middle lock L=720, 2 ML	920-1320	920-1320	K4004-07-N03
	Middle lock L=820, 2 ML	1251-1430	1251-1430	K4004-08-N03
	Middle lock L=1130, 3 ML	–	1251-1730	K4004-11-N03



Double sash "First Tilt"

Hardware overviews

N°	Description	Application range by width	Application range by height	Part No.
6a	Middle lock L=400, 1MR + 1 ML	600-1000	600-1000	K4008-04-N03
	Middle lock L=650, 1MR + 1 ML	850-1250	850-1250	K4008-06-N03
	Middle lock L=820, 1MR + 1 ML	1251-1430	1251-1430	K4008-08-N03
	Middle lock L=1130, 1MR + 2 ML	–	1251-1730	K4008-11-N03
7	Middle lock extension 480 mm	–	1710-2210	K4005-05-N03
	Middle lock extension 680 mm	–	2231-2390	K4005-07-N03
8	Bottom extension	–	450-800	K4009-00-N03
		–	801-2390	K4002-00-N03
10	Locking plate	–	–	**
10a	Locking plate safety	–	–	**
10b	Tilt locking plate safety	–	–	**
11a	Lifting plate for double sash, sash part	–	–	A6001-00-N03
12	Wrong operation safety device with sash lifter	–	751-2390	A7001-00-N03
13	Concealed bottom hinge PVC, 9 mm, left	–	–	A5025-09-L03
	Concealed bottom hinge PVC, 9 mm, right	–	–	A5025-09-R03
	Concealed bottom hinge PVC, 13 mm, left	–	–	A5025-13-L03
	Concealed bottom hinge PVC, 13 mm, right	–	–	A5025-13-R03
14	Concealed bottom sash hinge, 9 mm, left	–	–	A5027-09-L03
	Concealed bottom sash hinge, 9 mm, right	–	–	A5027-09-R03
	Concealed bottom sash hinge, 13 mm, left	–	–	A5027-13-L03
	Concealed bottom sash hinge, 13 mm, right	–	–	A5027-13-R03
15	Extension lock 240 mm	–	–	K4003-02-N03
15a	Extension lock for corner transmission L=480 mm	–	–	K4010-00-N03
16	Locking plate, integrated slit	–	–	**
18	Balcony catch	–	–	A7184-13-N03
18a	Balcony locking pin	–	–	A7207-00-N03
19	Concealed bottom hinge cover, left	–	–	A7141-00-L03
	Concealed bottom hinge cover, right	–	–	A7141-00-R03
20	Concealed hinge packer, 13 mm, left	–	–	A7**-13-L03
	Concealed hinge packer, 13 mm, right	–	–	A7**-13-R03
21	Sash turning restrictor	–	–	A7110-00-N03
22	Magnetic balcony catch, frame part	–	–	A7053-00-N03
22a	Magnetic balcony catch, sash part	–	–	A7055-*-N03

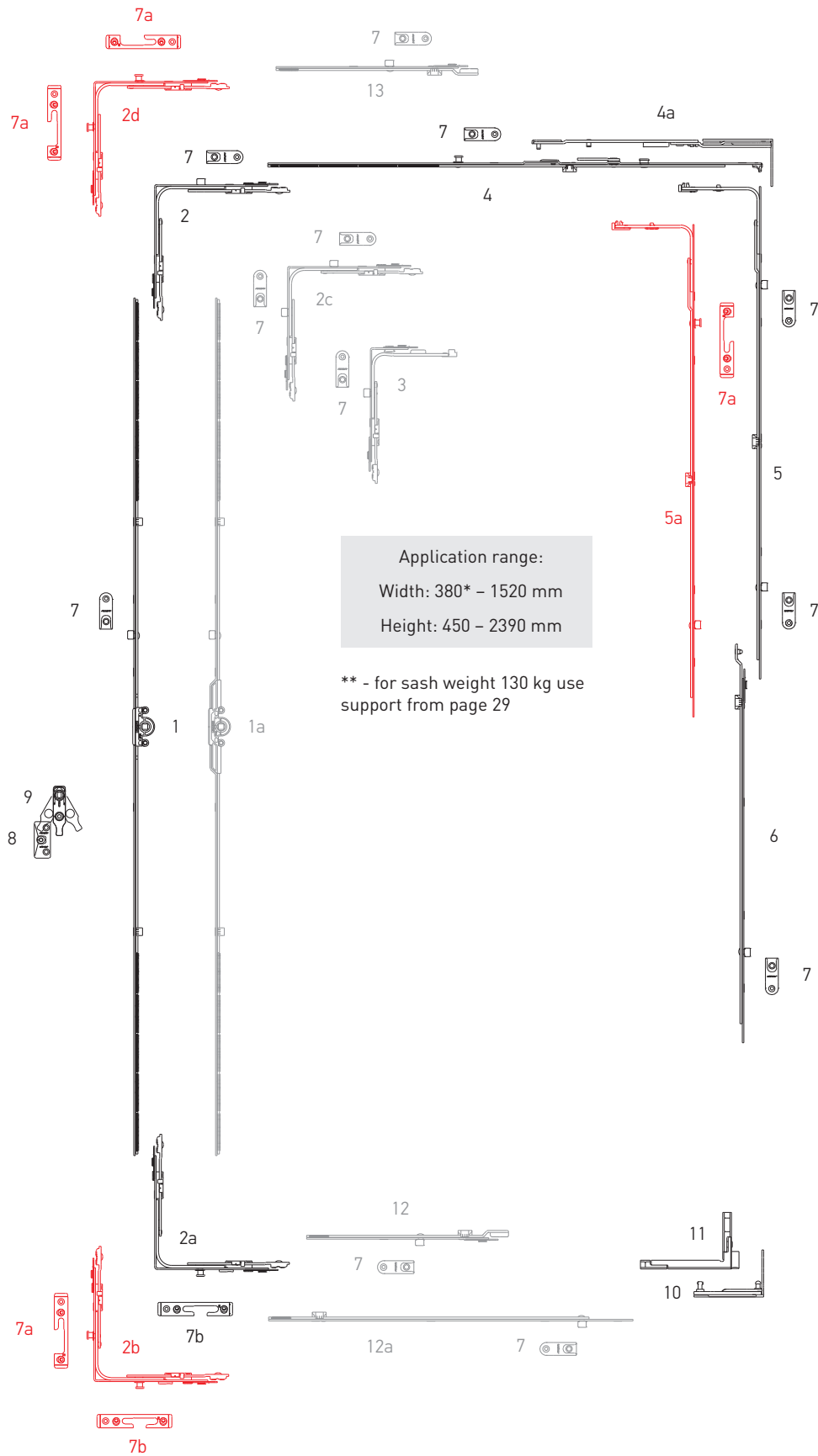
* – according to displacement axis of sash groove (9 mm, 10 mm, 13 mm, 14 mm)

** – see the section "Profile-dependent elements" of catalogues KOMFORT LINE K-3 or ELITE+

Tilt and turn set 9 system

Hardware overviews

System K-3. Tilt and turn set 9 system



* -with narrow corner transmission


Tilt and turn set 9 system

Hardware overviews

Nº	Description	Application range by width	Application range by height	Part No.
1	Gear variable 0, L=250, 450-550	—	450-550	K1001-02-N03
	Gear variable 1, L=450, 551-750	—	551-750	K1001-04-N03
	Gear variable 2, L=930, 751-1230, 1 ML	—	751-1230	K1001-09-N03
	Gear variable 3, L=1130, 950-1430, 1 ML	—	950-1430	K1001-11-N03
	Gear variable 4, L=1410, 1231-1710, 2 ML	—	1231-1710	K1001-14-N03
	Gear variable 5, L=1610, 1431-1910, 2 ML	—	1431-1910	K1001-16-N03
	Gear variable 6, L=2090, 1911-2390, 3 ML	—	1911-2390	K1001-21-N03
1a	Gear variable 1, L=450, 551-750, backset 7,5 mm.	—	551-750	K1011-04-N03
	Gear variable 2, L=930, 751-1230, 1 ML, backset 7,5 mm.	—	751-1230	K1011-09-N03
	Gear variable 3, L=1130, 950-1430, 1 ML, backset 7,5 mm.	—	950-1430	K1011-11-N03
	Gear variable 4, L=1410, 1231-1710, 2 ML, backset 7,5 mm.	—	1231-1710	K1011-14-N03
	Gear variable 5, L=1610, 1431-1910, 2 ML, backset 7,5 mm.	—	1431-1910	K1011-16-N03
	Gear variable 6, L=2090, 1911-2390, 3 ML, backset 7,5 mm.	—	1911-2390	K1011-21-N03
2	Corner transmission 150x150	480-1280	450-2390	K2001-00-N03
2a	Bottom corner transmission with lifter, Se 150x150	480-1280	450-2390	K2008-00-N03
2b	Bottom corner transmission with lifter, 2ML, 150x150	480-1280	450-2390	K2009-00-N03
2c	Corner transmission 2 ML, 150x150	480-1280	450-2390	K2002-00-N03
2d	Corner transmission, 2 ML, Se	480-1280	450-2390	K2012-00-N03
3	Narrow corner transmission 50x150	380-480	450-2390	K2003-00-N03
		480-680	350-550	
4	Concealed stay arm connecting plate 1 L=530, 480-680, left	480-680	-	K3030-06-L03
	Concealed stay arm connecting plate 1 L=530, 480-680, right	480-680	-	K3030-06-R03
	Concealed stay arm connecting plate 2 L=650, 600-800, left	600-800	-	K3030-07-L03
	Concealed stay arm connecting plate 2 L=650, 600-800, right	600-800	-	K3030-07-R03
	Concealed stay arm connecting plate 3 L=890, 801-1040, left	801-1040	-	K3030-09-L03
	Concealed stay arm connecting plate 3 L=890, 801-1040, right	801-1040	-	K3030-09-R03
	Concealed stay arm connecting plate 4 L=1130, 1041-1280, left	1041-1280	-	K3030-12-L03
	Concealed stay arm connecting plate 4 L=1130, 1041-1280, right	1041-1280	-	K3030-12-R03
4a	Concealed stay arm for timber profile, 9 mm, 480-800, left	480-800	-	A3004-02-L03
	Concealed stay arm for timber profile, 9 mm, 480-800, right	480-800	-	A3004-02-R03
	Concealed stay arm for timber profile, 9 mm, 801-1040, left	801-1040	-	A3004-03-L03
	Concealed stay arm for timber profile, 9 mm, 801-1040, right	801-1040	-	A3004-03-R03
	Concealed stay arm for timber profile, 9 mm, 1041-1280, left	1041-1280	-	A3004-04-R03
	Concealed stay arm for timber profile, 9 mm, 1041-1280, right	1041-1280	-	A3004-04-R03
5	Middle lock L=400, 2 ML	600-1000	600-1000	K4004-04-N03
	Middle lock L=650, 2 ML	850-1250	850-1250	K4004-06-N03
	Middle lock L=720, 2 ML	920-1320	920-1320	K4004-07-N03
	Middle lock L=820, 2 ML	1251-1430	1251-1430	K4004-08-N03
	Middle lock L=1130, 3 ML	-	1251-1730	K4004-11-N03
5a	Middle lock L=400, 1MR + 1 ML	600-1000	600-1000	K4008-04-N03
	Middle lock L=650, 1MR + 1 ML	850-1250	850-1250	K4008-06-N03
	Middle lock L=820, 1MR + 1 ML	1251-1430	1251-1430	K4008-08-N03
	Middle lock L=1130, 1MR + 2 ML	-	1251-1730	K4008-11-N03


Tilt and turn set 9 system

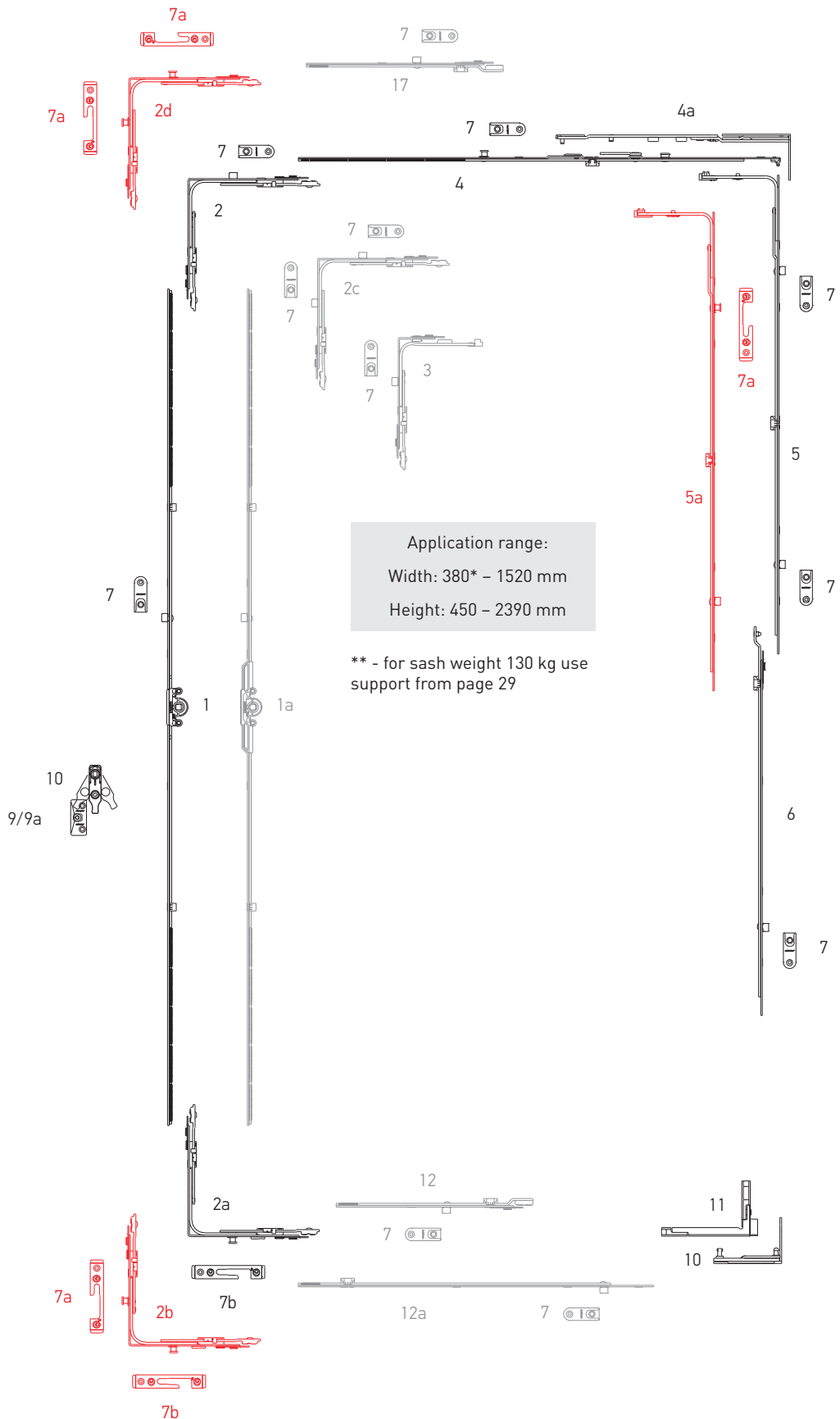
Hardware overviews

Nº	Description	Application range by width	Application range by height	Part No.
6	Middle lock extension 480 mm	-	1710-2210	K4005-05-N03
	Middle lock extension 680 mm	-	2211-2390	K4005-07-N03
7	Standard locking plate for timber profile 9 mm, 18/8	-	-	A7068-09-N03
7a	Locking plate Se for timber profile 9 mm, 18/8 left/right	-	-	S6030-09-L/R03
7b	Tilt safety locking plate for timber profile 9 mm, 18/8, left/right	-	-	S6032-09-L/R03
8	Lifting plate 9 mm, 18/8	-	751-2390	A6036-09-N03
9	Wrong op. safety device with sash lifter	-	751-2390	A7001-00-N03
10	Concealed bottom hinge for timber profile, 13 mm, left	-	-	A5026-13-L03
	Concealed bottom hinge for timber profile, 13 mm, right	-	-	A5026-13-R03
11	Concealed bottom sash hinge, 13 mm, left	-	-	A5027-13-L03
	Concealed bottom sash hinge, 13 mm, right	-	-	A5027-13-R03
12	Extension lock 240 mm	-	-	K4003-02-N03
12a	Corner transmissions extension lock L=480 mm	-	-	K4010-00-N03

Tilt and turn set “First Tilt” 9 system

Hardware overviews

System K-3. Tilt and turn set “First Tilt” 9 system



* –with narrow corner transmission



Tilt and turn set “First Tilt” 9 system

Hardware overviews

Nº	Description	Application range by width	Application range by height	Part No.
1	Gear variable 0, L=250, 450-550	—	450-550	K1001-02-N03
	Gear variable 1, L=450, 551-750	—	551-750	K1001-04-N03
	Gear variable 2, L=930, 751-1230, 1 ML	—	751-1230	K1001-09-N03
	Gear variable 3, L=1130, 950-1430, 1 ML	—	950-1430	K1001-11-N03
	Gear variable 4, L=1410, 1231-1710, 2 ML	—	1231-1710	K1001-14-N03
	Gear variable 5, L=1610, 1431-1910, 2 ML	—	1431-1910	K1001-16-N03
	Gear variable 6, L=2090, 1911-2390, 3 ML	—	1911-2390	K1001-21-N03
1a	Gear variable 1, L=450, 551-750, backset 7,5 mm.	—	551-750	K1011-04-N03
	Gear variable 2, L=930, 751-1230, 1 ML, backset 7,5 mm.	—	751-1230	K1011-09-N03
	Gear variable 3, L=1130, 950-1430, 1 ML, backset 7,5 mm.	—	950-1430	K1011-11-N03
	Gear variable 4, L=1410, 1231-1710, 2 ML, backset 7,5 mm.	—	1231-1710	K1011-14-N03
	Gear variable 5, L=1610, 1431-1910, 2 ML, backset 7,5 mm.	—	1431-1910	K1011-16-N03
	Gear variable 6, L=2090, 1911-2390, 3 ML, backset 7,5 mm.	—	1911-2390	K1011-21-N03
2	Corner transmission 150x150	480-1280	450-2390	K2001-00-N03
2a	Bottom corner transmission with lifter, Se 150x150	480-1280	450-2390	K2008-00-N03
2b	Bottom corner transmission with lifter, 2ML, 150x150	480-1280	450-2390	K2009-00-N03
2c	Corner transmission 2 ML, 150x150	480-1280	450-2390	K2002-00-N03
2d	Corner transmission, 2 ML, Se	480-1280	450-2390	K2012-00-N03
3	Narrow corner transmission 50x150	380-480	450-2390	K2003-00-N03
		480-680	350-550	
4	Concealed stay arm connecting plate 1 L=530, 480-680, left	480-680	–	K3030-06-L03
	Concealed stay arm connecting plate 1 L=530, 480-680, right	480-680	–	K3030-06-R03
	Concealed stay arm connecting plate 2 L=650, 600-800, left	600-800	–	K3030-07-L03
	Concealed stay arm connecting plate 2 L=650, 600-800, right	600-800	–	K3030-07-R03
	Concealed stay arm connecting plate 3 L=890, 801-1040, left	801-1040	–	K3030-09-L03
	Concealed stay arm connecting plate 3 L=890, 801-1040, right	801-1040	–	K3030-09-R03
	Concealed stay arm connecting plate 4 L=1130, 1041-1280, left	1041-1280	–	K3030-12-L03
	Concealed stay arm connecting plate 4 L=1130, 1041-1280, right	1041-1280	–	K3030-12-R03
4a	Concealed stay arm “First Tilt” for timber profile, 9 mm, 480-800, left	480-800	–	A3008-02-L03
	Concealed stay arm “First Tilt” for timber profile, 9 mm, 480-800, right	480-800	–	A3008-02-R03
	Concealed stay arm “First Tilt” for timber profile, 9 mm, 801-1040, left	801-1040	–	A3008-03-L03
	Concealed stay arm “First Tilt” for timber profile, 9 mm, 801-1040, right	801-1040	–	A3008-03-R03
	Concealed stay arm “First Tilt” for timber profile, 9 mm, 1041-1280, left	1041-1280	–	A3008-04-L03
	Concealed stay arm “First Tilt” for timber profile, 9 mm, 1041-1280, right	1041-1280	–	A3008-04-R03
5	Middle lock L=400, 2 ML	600-1000	600-1000	K4004-04-N03
	Middle lock L=650, 2 ML	850-1250	850-1250	K4004-06-N03
	Middle lock L=720, 2 ML	920-1320	920-1320	K4004-07-N03
	Middle lock L=820, 2 ML	1251-1430	1251-1430	K4004-08-N03
	Middle lock L=1130, 3 ML	–	1251-1730	K4004-11-N03
5a	Middle lock L=400, 1MR + 1 ML	600-1000	600-1000	K4008-04-N03
	Middle lock L=650, 1MR + 1 ML	850-1250	850-1250	K4008-06-N03
	Middle lock L=820, 1MR + 1 ML	1251-1430	1251-1430	K4008-08-N03
	Middle lock L=1130, 1MR + 2 ML	–	1251-1730	K4008-11-N03


Tilt and turn set “First Tilt” 9 system

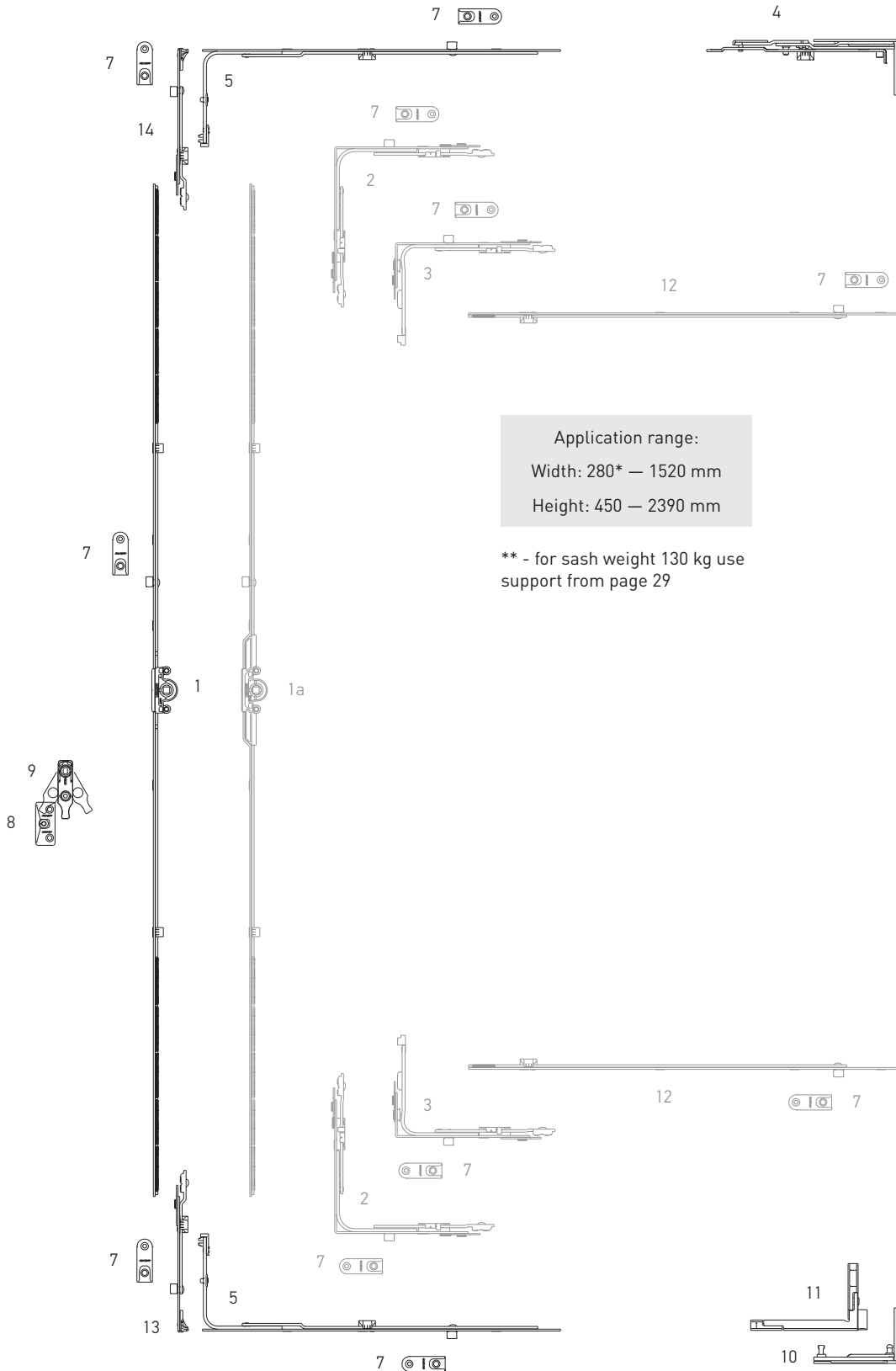
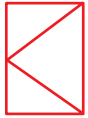
Hardware overviews

Nº	Description	Application range by width	Application range by height	Part No.
6	Middle lock extension 480 mm	–	1710-2210	K4005-05-N03
	Middle lock extension 680 mm	–	2211-2390	K4005-07-N03
7	Standard locking plate for timber profile 9 mm, 18/8	–	–	A7068-09-N03
7a	Locking plate Se for timber profile 9 mm, 18/8 left/right	–	–	S6030-09-L/R03
7b	Tilt locking plate “First Tilt” 9 mm, 18/8, left/right	–	–	S6052-09-L/R03
8	Lifting plate 9 mm, 18/8	–	751-2390	A6036-09-N03
9	Wrong op. safety device with sash lifter	–	751-2390	A7001-00-N03
10	Concealed bottom hinge for timber profile, 9 mm, left	–	–	A5026-09-L03
	Concealed bottom hinge for timber profile, 9 mm, right	–	–	A5026-09-R03
11	Concealed bottom sash hinge, 9 mm, left	–	–	A5027-09-L03
	Concealed bottom sash hinge, 9 mm, right	–	–	A5027-09-R03
12	Extension lock 240 mm	–	–	K4003-02-N03
12a	Corner transmissions extension lock L=480 mm	–	–	K4010-00-N03

Turn set 9 system

Hardware overviews

System K-3. Advanced turn set 9 system



* - without middle lock extension



Turn set 9 system

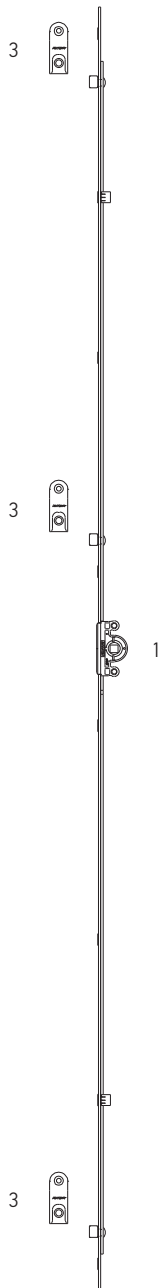
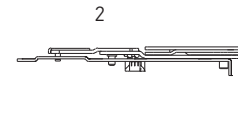
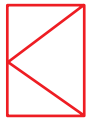
Hardware overviews

Nº	Description	Application range by width	Application range by height	Part No.
1	Gear variable 0, L=250, 450-550	—	450-550	K1001-02-N03
	Gear variable 1, L=450, 551-750	—	551-750	K1001-04-N03
	Gear variable 2, L=930, 751-1230, 1 ML	—	751-1230	K1001-09-N03
	Gear variable 3, L=1130, 950-1430, 1 ML	—	950-1430	K1001-11-N03
	Gear variable 4, L=1410, 1231-1710, 2 ML	—	1231-1710	K1001-14-N03
	Gear variable 5, L=1610, 1431-1910, 2 ML	—	1431-1910	K1001-16-N03
	Gear variable 6, L=2090, 1911-2390, 3 ML	—	1911-2390	K1001-21-N03
1a	Gear variable 1, L=450, 551-750, backset 7,5 mm.	—	551-750	K1011-04-N03
	Gear variable 2, L=930, 751-1230, 1 ML, backset 7,5 mm.	—	751-1230	K1011-09-N03
	Gear variable 3, L=1130, 950-1430, 1 ML, backset 7,5 mm.	—	950-1430	K1011-11-N03
	Gear variable 4, L=1410, 1231-1710, 2 ML, backset 7,5 mm.	—	1231-1710	K1011-14-N03
	Gear variable 5, L=1610, 1431-1910, 2 ML, backset 7,5 mm.	—	1431-1910	K1011-16-N03
	Gear variable 6, L=2090, 1911-2390, 3 ML, backset 7,5 mm.	—	1911-2390	K1011-21-N03
2	Corner transmission 150x150	480-1280	450-2390	K2001-00-N03
3	Narrow corner transmission 50x150	380-480	450-2390	K2003-00-N03
		480-680	350-550	
4	Concealed side hung top hinge for timber profile, 9 mm, left	-	-	A5024-09-L03
	Concealed side hung top hinge for timber profile, 9 mm, right	-	-	A5024-09-R03
5	Middle lock L=400, 1 ML	600-1000	600-1000	K4001-04-N03
	Middle lock L=650, 1 ML	850-1250	850-1250	K4001-06-N03
	Middle lock L=720, 1 ML	920-1320	920-1320	K4001-07-N03
	Middle lock L=820, 2 ML	1251-1430	1251-1430	K4001-08-N03
	Middle lock L=1130, 2 ML	—	1251-1730	K4001-11-N03
7	Standard locking plate for timber profile 9 mm, 18/8	-	-	A7068-09-N03
8	Lifting plate 9 mm, 18/8	-	751-2390	A6036-09-N03
9	Wrong op. safety device with sash lifter	-	751-2390	A7001-00-N03
10	Concealed bottom hinge for timber profile, 9 mm, left	-	-	A5026-09-L03
	Concealed bottom hinge for timber profile, 9 mm, right	-	-	A5026-09-R03
11	Concealed bottom sash hinge, 9 mm, left	-	-	A5027-09-L03
	Concealed bottom sash hinge, 9 mm, right	-	-	A5027-09-R03
12	Corner transmissions extension lock L=480 mm	-	-	K4010-00-N03
13	Bottom extension for turn sash 90°	-	-	K4007-00-N03
14	Top extension for turn sash 180°	-	-	K4011-00-N03

Turn set 9 system

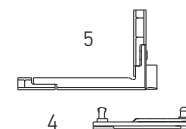
Hardware overviews

System K-3. Turn set 9 system



Application range:
Width: 280 — 700 mm
Height: 300 — 2400 mm

* - for sash weight 130 kg use support from page 29





Turn set 9 system

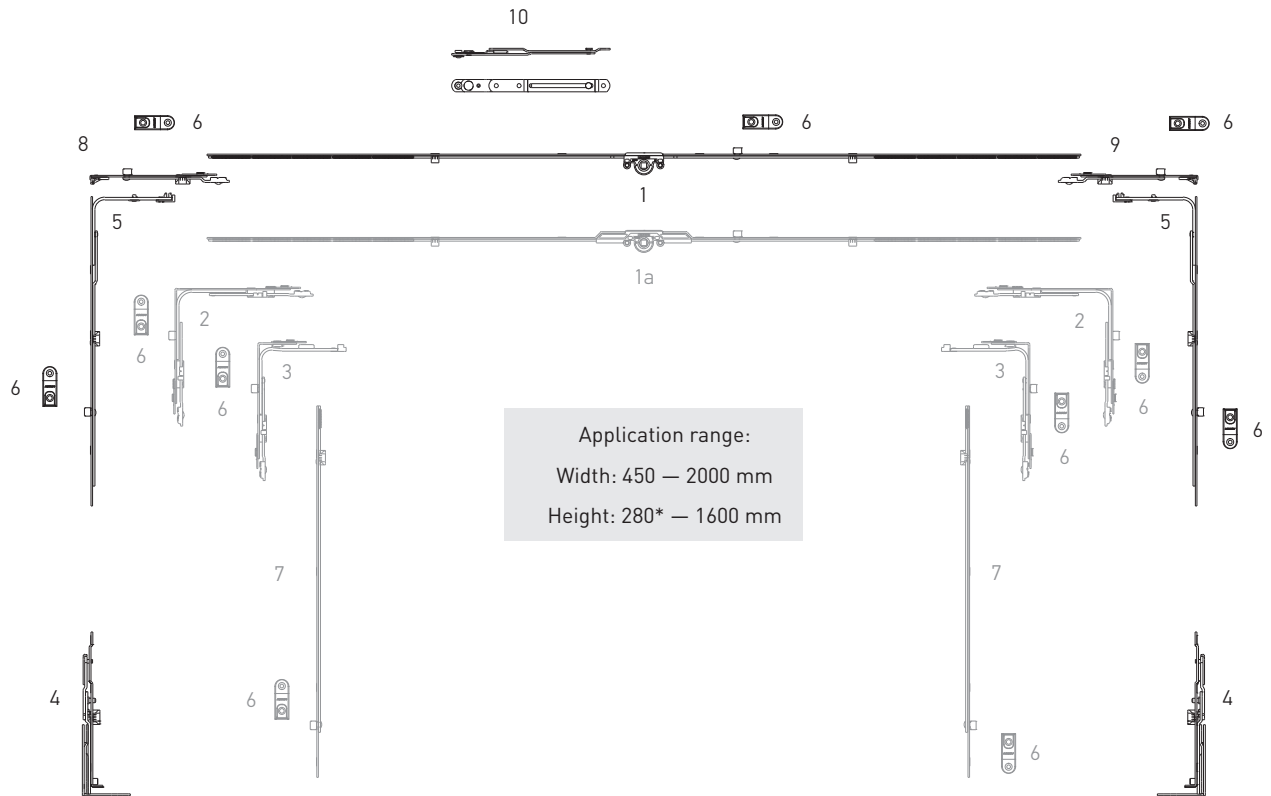
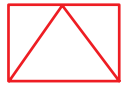
Hardware overviews

Nº	Description	Application range by width	Application range by height	Part No.
1	Gear variable 1 L=300, 300 - 500, 2ML	380-700	300-500	K1003-03-N03
	Gear variable 2 L=400, 401 - 600, 2ML		401-600	K1003-04-N03
	Gear variable 3 L=600, 601 - 800, 2ML		601-800	K1003-06-N03
	Gear variable 4 L=800, 801 - 1000, 2 ML		801-1000	K1003-08-N03
	Gear variable 5 L=1000, 1001 - 1200, 3 ML		1001-1200	K1003-10-N03
	Gear variable 6 L=1200, 1201 - 1400, 3ML		1201-1400	K1003-12-N03
	Gear variable 7 L=1400, 1401 - 1600, 3ML		1401-1600	K1003-14-N03
	Gear variable 8 L=1600, 1601 - 1800, 4ML		1601-1800	K1003-16-N03
	Gear variable 9 L=1800, 1801 - 2000, 4ML		1801-2000	K1003-18-N03
	Gear variable 10 L=2000, 2001 - 2200, 4ML		2001-2200	K1003-20-N03
	Gear variable 11 L=2200, 2201 - 2400, 4ML		2201-2400	K1003-22-N03
2	Concealed side hung top hinge for timber profile, 9 mm, left	-	-	A5024-09-L03
	Concealed side hung top hinge for timber profile, 9 mm, right	-	-	A5024-09-R03
3	Standard locking plate for timber profile 9 mm, 18/8	-	-	A7068-09-N03
4	Concealed bottom hinge for timber profile, 9 mm, left	-	-	A5026-09-L03
	Concealed bottom hinge for timber profile, 9 mm, right	-	-	A5026-09-R03
5	Concealed bottom sash hinge, 9 mm, left	-	-	A5027-09-L03
	Concealed bottom sash hinge, 9 mm, right	-	-	A5027-09-R03

Tilt set 9 system

Hardware overviews

System K-3. Advanced tilt set 9 system



* – without middle lock extension


Tilt set 9 system

Hardware overviews

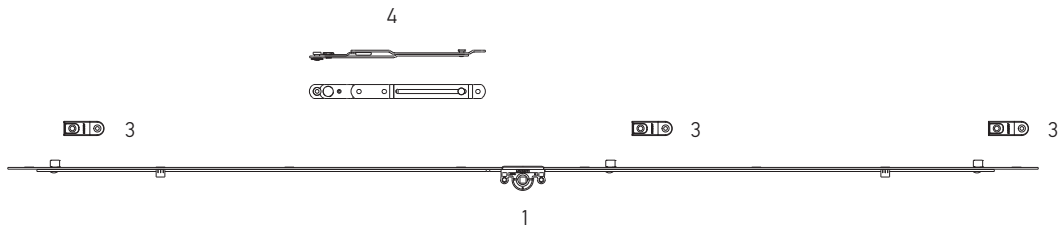
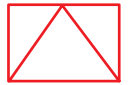
Nº	Description	Application range by width	Application range by height	Part No.
1	Gear variable 0, L=250, 450-550	—	450-550	K1001-02-N03
	Gear variable 1, L=450, 551-750	—	551-750	K1001-04-N03
	Gear variable 2, L=930, 751-1230, 1 ML	—	751-1230	K1001-09-N03
	Gear variable 3, L=1130, 950-1430, 1 ML	—	950-1430	K1001-11-N03
	Gear variable 4, L=1410, 1231-1710, 2 ML	—	1231-1710	K1001-14-N03
	Gear variable 5, L=1610, 1431-1910, 2 ML	—	1431-1910	K1001-16-N03
	Gear variable 6, L=2090, 1911-2390, 3 ML	—	1911-2390	K1001-21-N03
1a	Gear variable 1, L=450, 551-750, backset 7,5 mm.	—	551-750	K1011-04-N03
	Gear variable 2, L=930, 751-1230, 1 ML, backset 7,5 mm.	—	751-1230	K1011-09-N03
	Gear variable 3, L=1130, 950-1430, 1 ML, backset 7,5 mm.	—	950-1430	K1011-11-N03
	Gear variable 4, L=1410, 1231-1710, 2 ML, backset 7,5 mm.	—	1231-1710	K1011-14-N03
	Gear variable 5, L=1610, 1431-1910, 2 ML, backset 7,5 mm.	—	1431-1910	K1011-16-N03
	Gear variable 6, L=2090, 1911-2390, 3 ML, backset 7,5 mm.	—	1911-2390	K1011-21-N03
2	Corner transmission 150x150	480-1280	450-2390	K2001-00-N03
3	Narrow corner transmission 50x150	380-480	450-2390	K2003-00-N03
		480-680	350-550	
4	Concealed side hung top hinge for timber profile, 9 mm, left	-	-	A5024-09-L03
	Concealed side hung top hinge for timber profile, 9 mm, right	-	-	A5024-09-R03
5	Middle lock L=400, 1 ML	600-1000	600-1000	K4001-04-N03
	Middle lock L=650, 1 ML	850-1250	850-1250	K4001-06-N03
	Middle lock L=720, 1 ML	920-1320	920-1320	K4001-07-N03
	Middle lock L=820, 2 ML	1251-1430	1251-1430	K4001-08-N03
	Middle lock L=1130, 2 ML	—	1251-1730	K4001-11-N03
6	Standard locking plate for timber profile 9 mm, 18/8	-	-	A7068-09-N03
7	Corner transmissions extension lock L=480 mm	-	-	K4010-00-N03
8	Bottom extension for turn sash 90°	-	-	K4007-00-N03
9	Top extension for turn sash 180°	-	-	K4011-00-N03
10	Tilt stay arm (fixing on gear)	-	-	A7017-00-N03



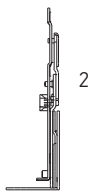
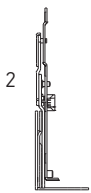
Tilt set 9 system

Hardware overviews

System K-3. Tilt set 9 system



Application range:
Width: 300 — 2000 mm
Height: 280 — 700 mm

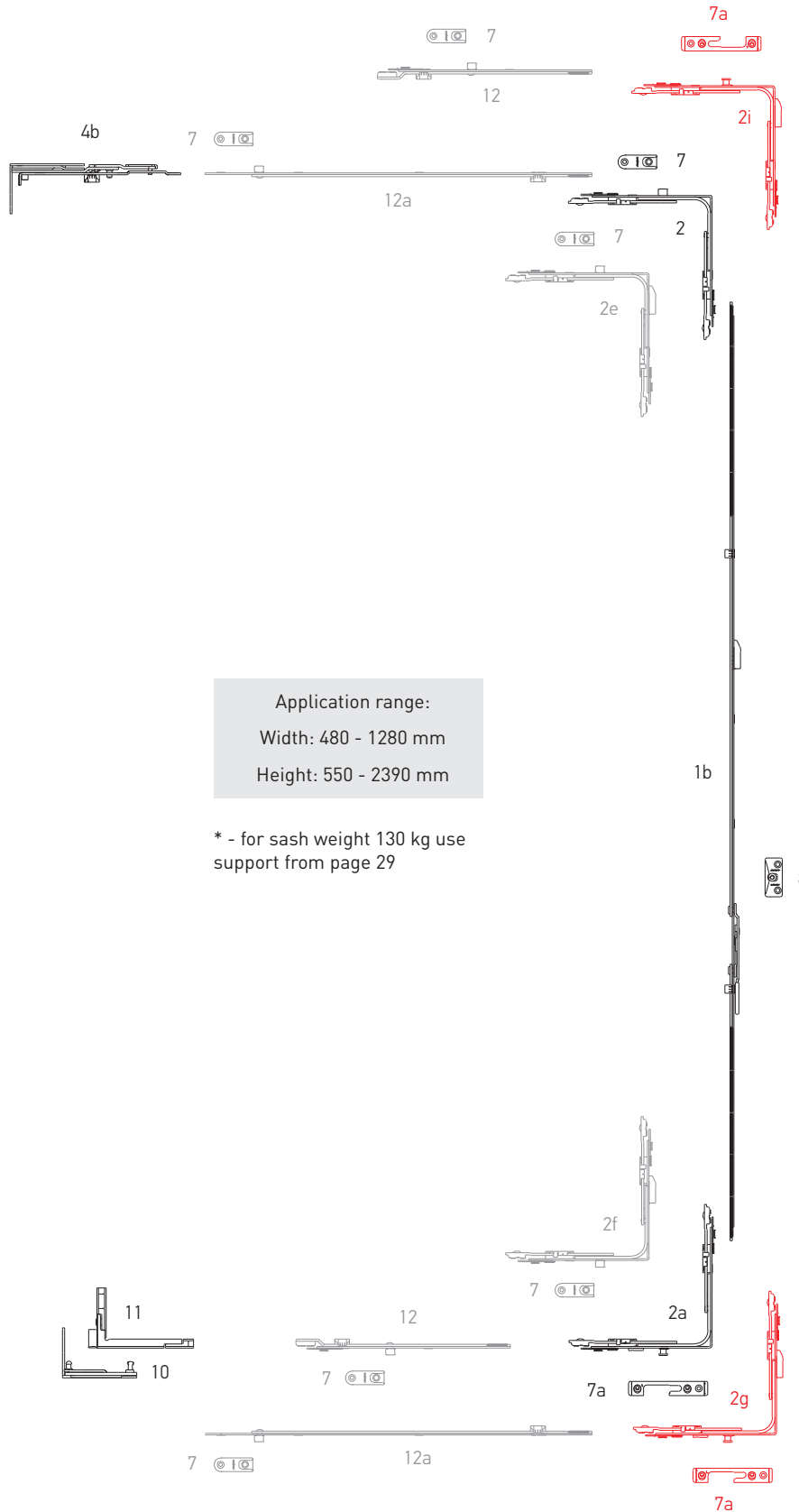
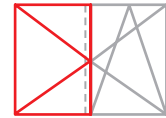


N°	Description	Application range by width	Application range by height	Part No.
1	Gear variable 1 L=300, 300 - 500, 2ML	380-700	300-500	K1003-03-N03
	Gear variable 2 L=400, 401 - 600, 2ML		401-600	K1003-04-N03
	Gear variable 3 L=600, 601 - 800, 2ML		601-800	K1003-06-N03
	Gear variable 4 L=800, 801 - 1000, 2 ML		801-1000	K1003-08-N03
	Gear variable 5 L=1000, 1001 - 1200, 3 ML		1001-1200	K1003-10-N03
	Gear variable 6 L=1200, 1201 - 1400, 3ML		1201-1400	K1003-12-N03
	Gear variable 7 L=1400, 1401 - 1600, 3ML		1401-1600	K1003-14-N03
	Gear variable 8 L=1600, 1601 - 1800, 4ML		1601-1800	K1003-16-N03
	Gear variable 9 L=1800, 1801 - 2000, 4ML		1801-2000	K1003-18-N03
	Gear variable 10 L=2000, 2001 - 2200, 4ML		2001-2200	K1003-20-N03
	Gear variable 11 L=2200, 2201 - 2400, 4ML		2201-2400	K1003-22-N03
2	Concealed side hung top hinge for timber profile, 9 mm, left	-	-	A5024-09-L03
	Concealed side hung top hinge for timber profile, 9 mm, right	-	-	A5024-09-R03
3	Standard locking plate for timber profile 9 mm, 18/8	-	-	A7068-09-N03
4	Tilt stay arm (fixing on gear)	-	-	A7017-00-N03

Double sash set 9 system

Hardware overviews

System K-3. Double sash set 9 system



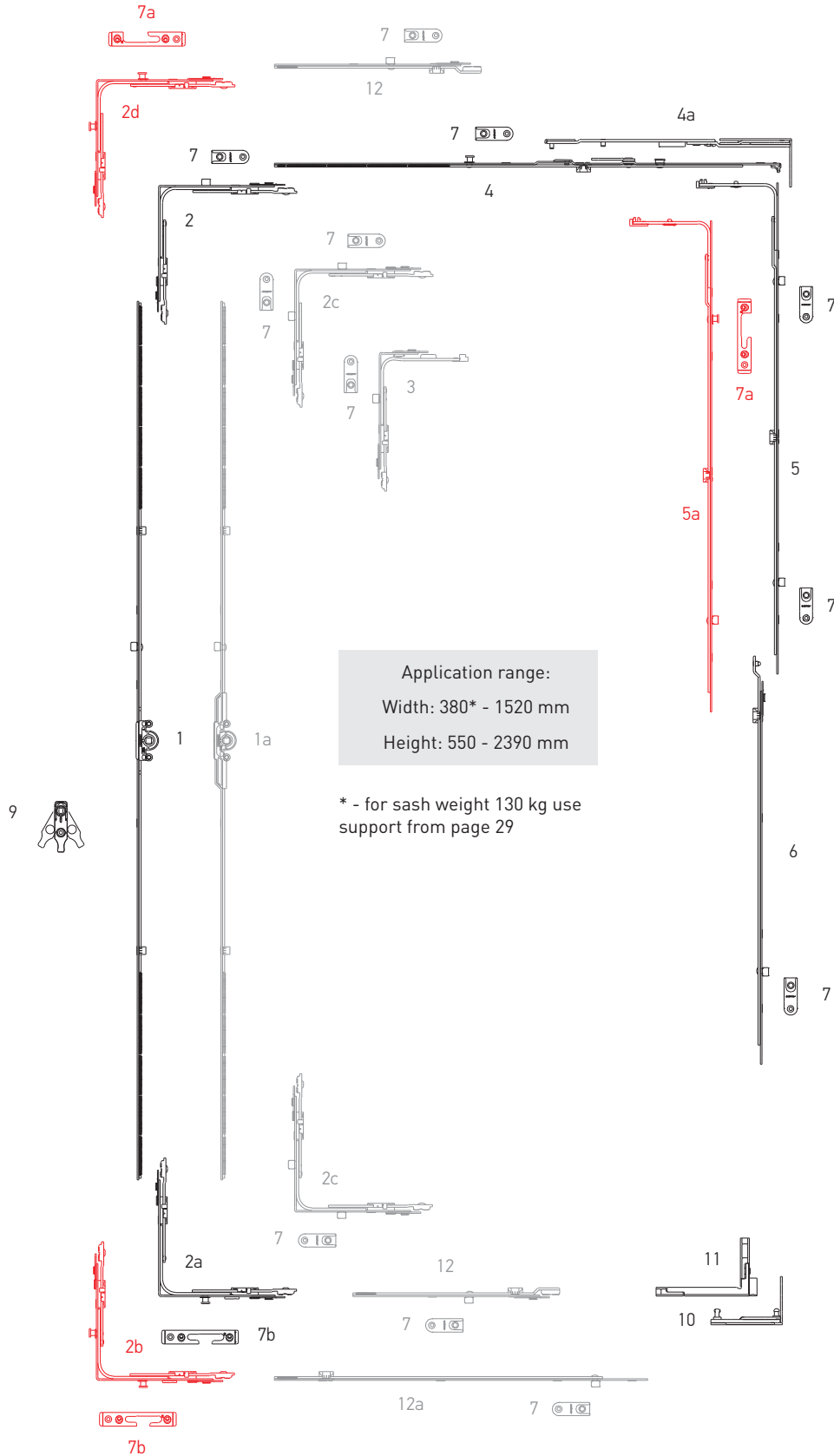
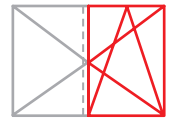
Application range:
 Width: 480 - 1280 mm
 Height: 550 - 2390 mm

* - for sash weight 130 kg use support from page 29

Double sash set 9 system

Hardware overviews

System K-3. Main sash 9 system



* -with narrow corner transmission


Double sash set 9 system

Hardware overviews

Nº	Description	Application range by width	Application range by height	Part No.
1	Gear variable 0, L=250, 450-550	–	450-550	K1001-02-N03
	Gear variable 1, L=450, 551-750	–	551-750	K1001-04-N03
	Gear variable 2, L=930, 751-1230, 1 ML	–	751-1230	K1001-09-N03
	Gear variable 3, L=1130, 950-1430, 1 ML	–	950-1430	K1001-11-N03
	Gear variable 4, L=1410, 1231-1710, 2 ML	–	1231-1710	K1001-14-N03
	Gear variable 5, L=1610, 1431-1910, 2 ML	–	1431-1910	K1001-16-N03
	Gear variable 6, L=2090, 1911-2390, 3 ML	–	1911-2390	K1001-21-N03
1a	Gear variable 1, L=450, 551-750, backset 7,5 mm.	—	551-750	K1011-04-N03
	Gear variable 2, L=930, 751-1230, 1 ML, backset 7,5 mm.	—	751-1230	K1011-09-N03
	Gear variable 3, L=1130, 950-1430, 1 ML, backset 7,5 mm.	—	950-1430	K1011-11-N03
	Gear variable 4, L=1410, 1231-1710, 2 ML, backset 7,5 mm.	—	1231-1710	K1011-14-N03
	Gear variable 5, L=1610, 1431-1910, 2 ML, backset 7,5 mm.	—	1431-1910	K1011-16-N03
	Gear variable 6, L=2090, 1911-2390, 3 ML, backset 7,5 mm.	—	1911-2390	K1011-21-N03
1b	Double sash lever espagnolette variable 1 L=450, 551-750	–	551-750	K1002-04-N03
	Double sash lever espagnolette variable 2 L=650, 751-950	–	751-950	K1002-06-N03
	Double sash lever espagnolette variable 3 L=1130, 951-1430	–	951-1430	K1002-11-N03
	Double sash lever espagnolette variable 4 L=1610, 1431-1910	–	1431-1910	K1002-16-N03
	Double sash lever espagnolette variable 5 L=2090, 1911-2390	–	1911-2390	K1002-21-N03
2	Corner transmission 150x150	480-1280	450-2390	K2001-00-N03
2a	Bottom corner transmission with lifter	480-1280	450-2390	K2008-00-N03
2b	Bottom corner transmission with lifter, 2ML, 150x150	480-1280	450-2390	K2009-00-N03
2c	Corner transmission 2 ML, 150x150	480-1280	450-2390	K2002-00-N03
2d	Corner transmission 2 ML, 150x150, Se	480-1280	450-2390	K2012-00-N03
2e	Corner transmission for double sash, top	480-1280	450-2390	K2007-01-N03
2f	Corner transmission for double sash, bottom	480-1280	450-2390	K2007-02-N03
2g	Corner transmission for double sash for timber profile, bottom	480-1280	450-2390	K2010-00-N03
2i	Corner transmission for double sash, Se, top	480-1280	450-2390	K2011-00-N03
3	Narrow corner transmission 50x150	380-480	450-2390	K2003-00-N03
		480-680	350-550	
4	Concealed stay arm connecting plate 1 L=530, 480-680, left	480-680	–	K3030-06-L03
	Concealed stay arm connecting plate 1 L=530, 480-680, right	480-680	–	K3030-06-R03
	Concealed stay arm connecting plate 2 L=650, 600-800, left	600-800	–	K3030-07-L03
	Concealed stay arm connecting plate 2 L=650, 600-800, right	600-800	–	K3030-07-R03
	Concealed stay arm connecting plate 3 L=890, 801-1040, left	801-1040	–	K3030-09-L03
	Concealed stay arm connecting plate 3 L=890, 801-1040, right	801-1040	–	K3030-09-R03
	Concealed stay arm connecting plate 4 L=1130, 1041-1280, left	1041-1280	–	K3030-12-L03
	Concealed stay arm connecting plate 4 L=1130, 1041-1280, right	1041-1280	–	K3030-12-R03
4a	Concealed stay arm for timber profile, 9 mm, 480-800, left	480-800	–	A3004-02-L03
	Concealed stay arm for timber profile, 9 mm, 480-800, right	480-800	–	A3004-02-R03
	Concealed stay arm for timber profile, 9 mm, 801-1040, left	801-1040	–	A3004-03-L03
	Concealed stay arm for timber profile, 9 mm, 801-1040, right	801-1040	–	A3004-03-R03
	Concealed stay arm for timber profile, 9 mm, 1041-1280, left	1041-1280	–	A3004-04-L03
	Concealed stay arm for timber profile, 9 mm, 1041-1280, right	1041-1280	–	A3004-04-R03
4b	Concealed side hung top hinge for timber profile, 9 mm, left	–	–	A5024-09-L03
	Concealed side hung top hinge for timber profile, 9 mm, right	–	–	A5024-09-R03


Double sash set 9 system

Hardware overviews

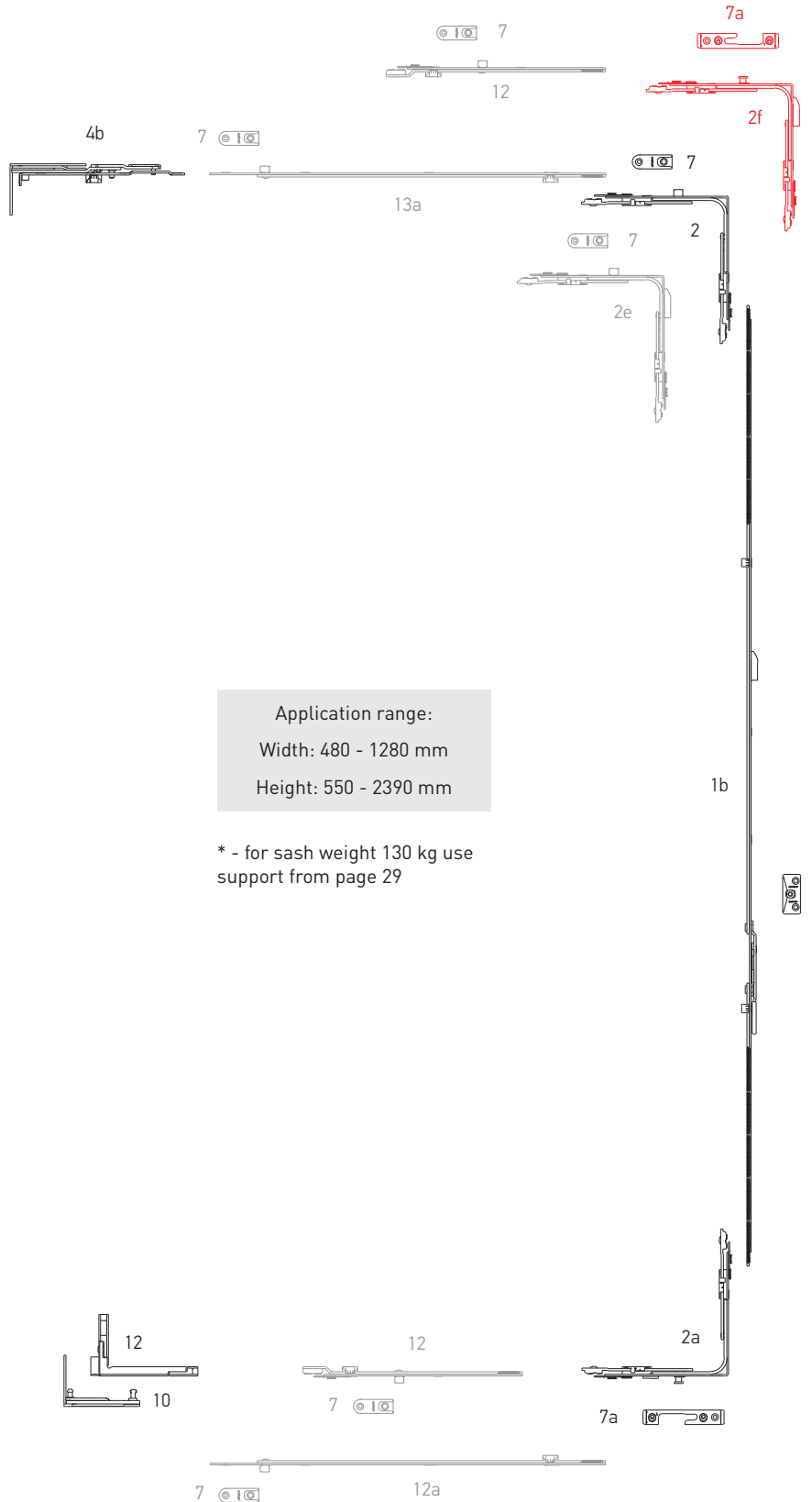
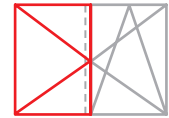
Nº	Description	Application range by width	Application range by height	Part No.
5	Middle lock L=400, 2 ML	600-1000	600-1000	K4004-04-N03
	Middle lock L=650, 2 ML	850-1250	850-1250	K4004-06-N03
	Middle lock L=720, 2 ML	920-1320	920-1320	K4004-07-N03
	Middle lock L=820, 2 ML	1251-1430	1251-1430	K4004-08-N03
	Middle lock L=1130, 3 ML	—	1251-1730	K4004-11-N03
5a	Middle lock L=400, 1MR + 1 ML	600-1000	600-1000	K4008-04-N03
	Middle lock L=650, 1MR + 1 ML	850-1250	850-1250	K4008-06-N03
	Middle lock L=820, 1MR + 1 ML	1251-1430	1251-1430	K4008-08-N03
	Middle lock L=1130, 1MR + 2 ML	—	1251-1730	K4008-11-N03
6	Middle lock extension 480 mm	—	1710-2210	K4005-05-N03
	Middle lock extension 680 mm	—	2231-2390	K4005-07-N03
7	Standard locking plate for timber profile 9 mm, 18/8	—	—	A7068-09-N03
7a	Locking plate Se for timber profile 9 mm, 18/8 left/right	—	—	S6030-09-L/R03
7b	Tilt safety locking plate for timber profile 9 mm, 18/8, left/right	—	—	S6032-09-L/R03
8	Lifting plate for double sash	—	751-2390	A6001-00-N03
9	Wrong op. safety device with sash lifter	—	751-2390	A7001-00-N03
10	Concealed bottom hinge for timber profile, 9 mm, left	—	—	A5026-09-L03
	Concealed bottom hinge for timber profile, 9 mm, right	—	—	A5026-09-R03
11	Concealed bottom sash hinge, 9 mm, left	—	—	A5027-09-L03
	Concealed bottom sash hinge, 9 mm, right	—	—	A5027-09-R03
12	Extension lock 240 mm	—	—	K4003-02-N03
12a	Corner transmissions extension lock L=480 mm	—	—	K4010-00-N03



Double sash set “First Tilt” 9 system

Hardware overviews

System K-3. Double sash set “First Tilt” 9 system



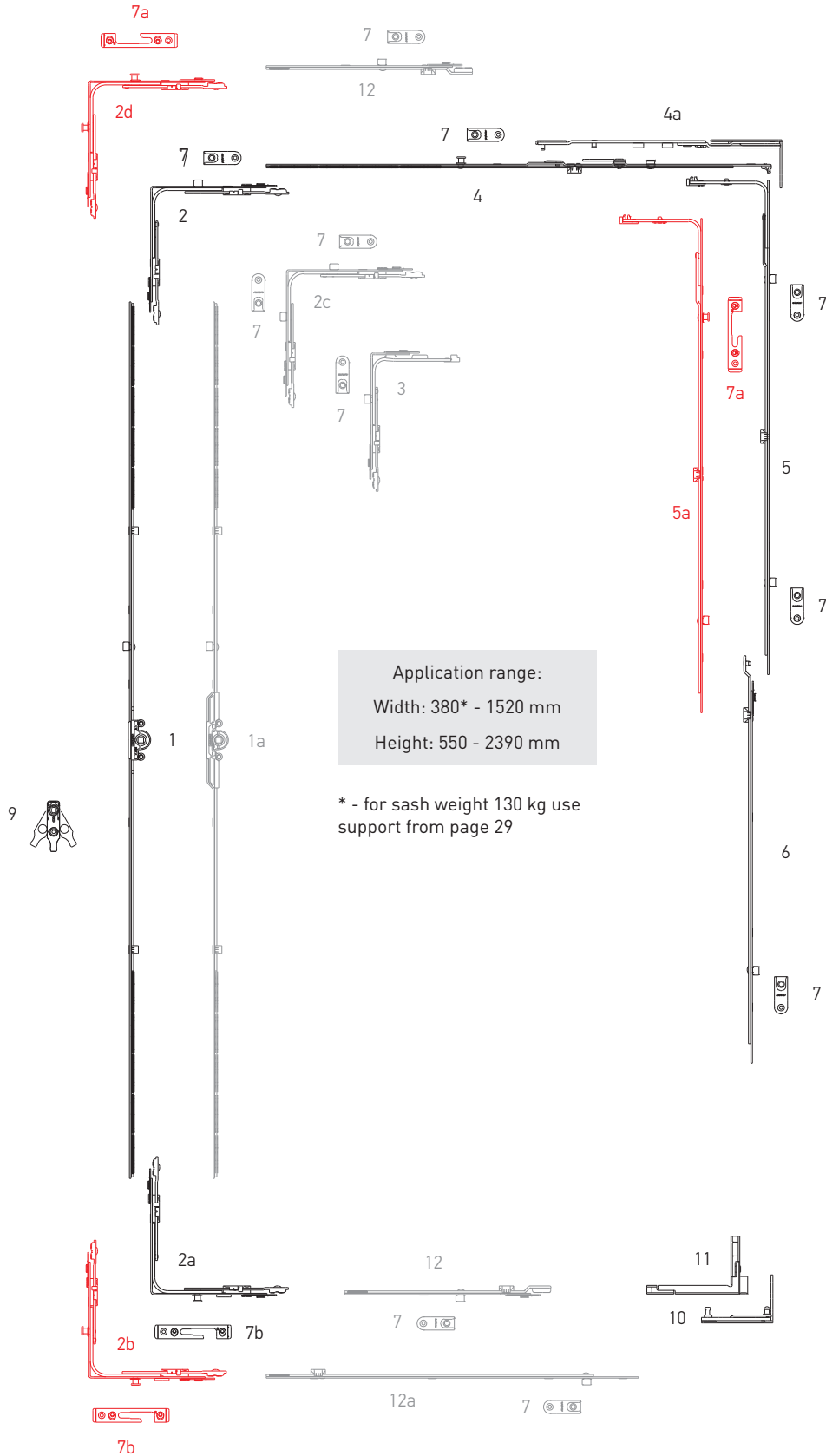
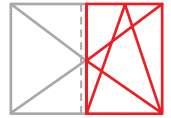
Application range:
 Width: 480 - 1280 mm
 Height: 550 - 2390 mm

* - for sash weight 130 kg use support from page 29

Double sash set “First Tilt” 9 system

Hardware overviews

System K-3. Main sash “First Tilt” 9 system



* -with narrow corner transmission



Double sash set “First Tilt” 9 system

Hardware overviews

Nº	Description	Application range by width	Application range by height	Part No.
1	Gear variable 0, L=250, 450-550	–	450-550	K1001-02-N03
	Gear variable 1, L=450, 551-750	–	551-750	K1001-04-N03
	Gear variable 2, L=930, 751-1230, 1 ML	–	751-1230	K1001-09-N03
	Gear variable 3, L=1130, 950-1430, 1 ML	–	950-1430	K1001-11-N03
	Gear variable 4, L=1410, 1231-1710, 2 ML	–	1231-1710	K1001-14-N03
	Gear variable 5, L=1610, 1431-1910, 2 ML	–	1431-1910	K1001-16-N03
	Gear variable 6, L=2090, 1911-2390, 3 ML	–	1911-2390	K1001-21-N03
1a	Gear variable 1, L=450, 551-750, backset 7,5 mm.	—	551-750	K1011-04-N03
	Gear variable 2, L=930, 751-1230, 1 ML, backset 7,5 mm.	—	751-1230	K1011-09-N03
	Gear variable 3, L=1130, 950-1430, 1 ML, backset 7,5 mm.	—	950-1430	K1011-11-N03
	Gear variable 4, L=1410, 1231-1710, 2 ML, backset 7,5 mm.	—	1231-1710	K1011-14-N03
	Gear variable 5, L=1610, 1431-1910, 2 ML, backset 7,5 mm.	—	1431-1910	K1011-16-N03
	Gear variable 6, L=2090, 1911-2390, 3 ML, backset 7,5 mm.	—	1911-2390	K1011-21-N03
1b	Double sash lever espagnolette variable 1 L=450, 551-750	–	551-750	K1002-04-N03
	Double sash lever espagnolette variable 2 L=650, 751-950	–	751-950	K1002-06-N03
	Double sash lever espagnolette variable 3 L=1130, 951-1430	–	951-1430	K1002-11-N03
	Double sash lever espagnolette variable 4 L=1610, 1431-1910	–	1431-1910	K1002-16-N03
	Double sash lever espagnolette variable 5 L=2090, 1911-2390	–	1911-2390	K1002-21-N03
2	Corner transmission 150x150	480-1280	450-2390	K2001-00-N03
2a	Bottom corner transmission with lifter	480-1280	450-2390	K2008-00-N03
2b	Bottom corner transmission with lifter, 2ML, 150x150	480-1280	450-2390	K2009-00-N03
2c	Corner transmission 2 ML, 150x150	480-1280	450-2390	K2002-00-N03
2d	Corner transmission 2 ML, 150x150, Se	480-1280	450-2390	K2012-00-N03
2e	Corner transmission for double sash, top	480-1280	450-2390	K2007-01-N03
2f	Corner transmission for double sash, Se, top	480-1280	450-2390	K2011-00-N03
3	Narrow corner transmission 50x150	380-480	450-2390	K2003-00-N03
		480-680	350-550	
4	Concealed stay arm connecting plate 1 L=530, 480-680, left	480-680	–	K3030-06-L03
	Concealed stay arm connecting plate 1 L=530, 480-680, right	480-680	–	K3030-06-R03
	Concealed stay arm connecting plate 2 L=650, 600-800, left	600-800	–	K3030-07-L03
	Concealed stay arm connecting plate 2 L=650, 600-800, right	600-800	–	K3030-07-R03
	Concealed stay arm connecting plate 3 L=890, 801-1040, left	801-1040	–	K3030-09-L03
	Concealed stay arm connecting plate 3 L=890, 801-1040, right	801-1040	–	K3030-09-R03
	Concealed stay arm connecting plate 4 L=1130,1041-1280, left	1041-1280	–	K3030-12-L03
	Concealed stay arm connecting plate 4 L=1130,1041-1280, right	1041-1280	–	K3030-12-R03
4a	Concealed stay arm “First Tilt” for timber profile, 9 mm, 480-800, left	480-800	–	A3008-02-L03
	Concealed stay arm “First Tilt” for timber profile, 9 mm, 480-800, right	480-800	–	A3008-02-R03
	Concealed stay arm “First Tilt” for timber profile, 9 mm, 801-1040, left	801-1040	–	A3008-03-L03
	Concealed stay arm “First Tilt” for timber profile, 9 mm, 801-1040, right	801-1040	–	A3008-03-R03
	Concealed stay arm “First Tilt” for timber profile, 9 mm, 1041-1280, left	1041-1280	–	A3008-04-L03
	Concealed stay arm “First Tilt” for timber profile, 9 mm, 1041-1280, right	1041-1280	–	A3008-04-R03
4b	Concealed side hung top hinge for timber profile, 9 mm, left	–	–	A5024-09-L03
	Concealed side hung top hinge for timber profile, 9 mm, right	–	–	A5024-09-R03



Double sash set “First Tilt” 9 system

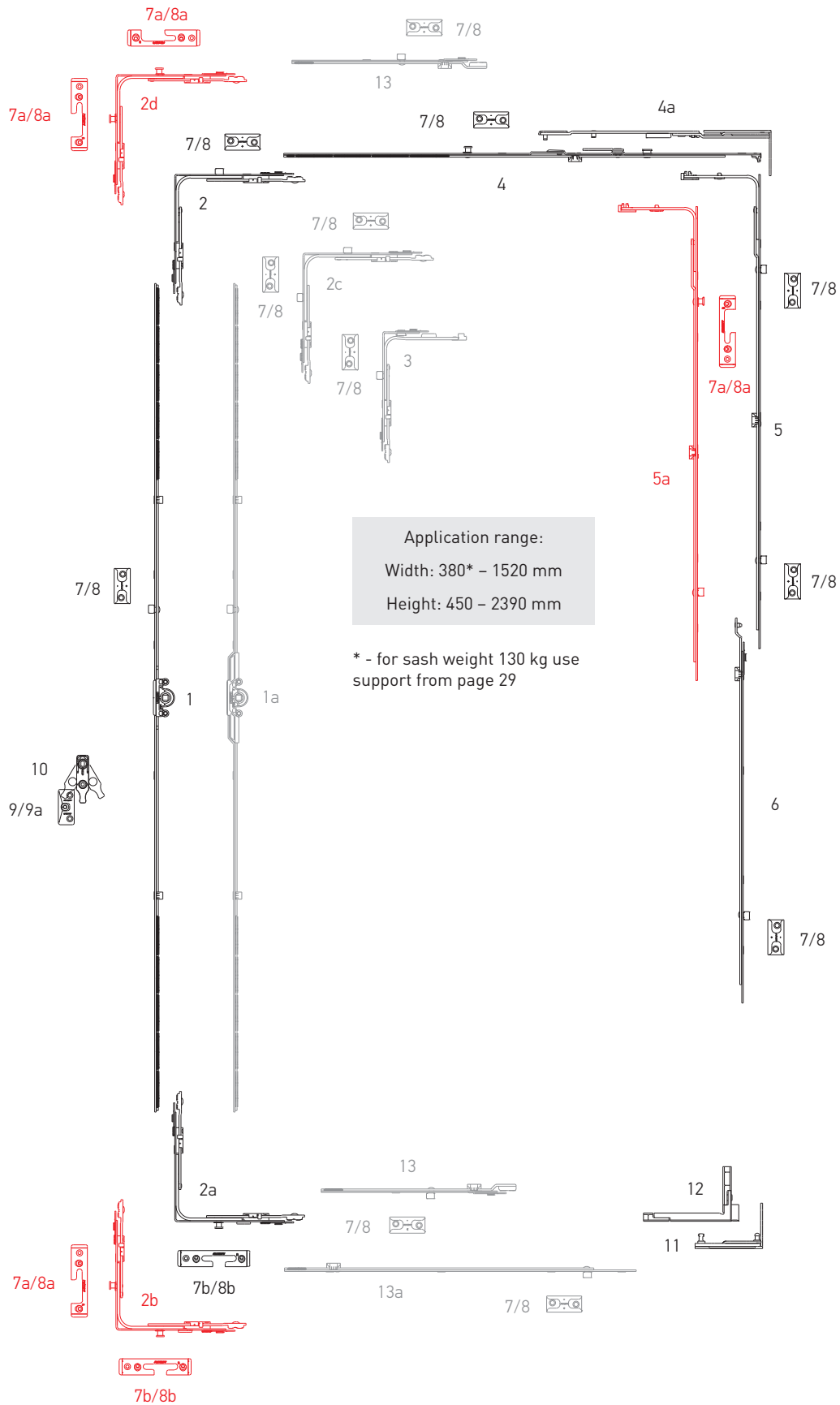
Hardware overviews

Nº	Description	Application range by width	Application range by height	Part No.
5	Middle lock L=400, 2 ML	600-1000	600-1000	K4004-04-N03
	Middle lock L=650, 2 ML	850-1250	850-1250	K4004-06-N03
	Middle lock L=720, 2 ML	920-1320	920-1320	K4004-07-N03
	Middle lock L=820, 2 ML	1251-1430	1251-1430	K4004-08-N03
	Middle lock L=1130, 3 ML	—	1251-1730	K4004-11-N03
5a	Middle lock L=400, 1MR + 1 ML	600-1000	600-1000	K4008-04-N03
	Middle lock L=650, 1MR + 1 ML	850-1250	850-1250	K4008-06-N03
	Middle lock L=820, 1MR + 1 ML	1251-1430	1251-1430	K4008-08-N03
	Middle lock L=1130, 1MR + 2 ML	—	1251-1730	K4008-11-N03
6	Middle lock extension 480 mm	—	1710-2210	K4005-05-N03
	Middle lock extension 680 mm	—	2231-2390	K4005-07-N03
7	Standard locking plate for timber profile 9 mm, 18/8	—	—	A7068-09-N03
7a	Locking plate Se for timber profile 9 mm, 18/8 left/right	—	—	S6030-09-L/R03
7b	Tilt locking plate “First Tilt” 9 mm, 18/8, left/right	—	—	S6052-09-L/R03
8	Lifting plate for double sash	—	751-2390	A6001-00-N03
9	Wrong op. safety device with sash lifter	—	751-2390	A7001-00-N03
10	Concealed bottom hinge for timber profile, 9 mm, left	—	—	A5026-09-L03
	Concealed bottom hinge for timber profile, 9 mm, right	—	—	A5026-09-R03
11	Concealed bottom sash hinge, 9 mm, left	—	—	A5027-09-L03
	Concealed bottom sash hinge, 9 mm, right	—	—	A5027-09-R03
12	Extension lock 240 mm	—	—	K4003-02-N03
12a	Corner transmissions extension lock L=480 mm	—	—	K4010-00-N03

Tilt and turn set 13 system

Hardware overviews

System K-3. Tilt and turn set 13 system



* -with narrow corner transmission



Tilt and turn set 13 system

Hardware overviews

Nº	Description	Application range by width	Application range by height	Part No.
1	Gear variable 0, L=250, 450-550	—	450-550	K1001-02-N03
	Gear variable 1, L=450, 551-750	—	551-750	K1001-04-N03
	Gear variable 2, L=930, 751-1230, 1 ML	—	751-1230	K1001-09-N03
	Gear variable 3, L=1130, 950-1430, 1 ML	—	950-1430	K1001-11-N03
	Gear variable 4, L=1410, 1231-1710, 2 ML	—	1231-1710	K1001-14-N03
	Gear variable 5, L=1610, 1431-1910, 2 ML	—	1431-1910	K1001-16-N03
	Gear variable 6, L=2090, 1911-2390, 3 ML	—	1911-2390	K1001-21-N03
1a	Gear variable 1, L=450, 551-750, backset 7,5 mm.	—	551-750	K1011-04-N03
	Gear variable 2, L=930, 751-1230, 1 ML, backset 7,5 mm.	—	751-1230	K1011-09-N03
	Gear variable 3, L=1130, 950-1430, 1 ML, backset 7,5 mm.	—	950-1430	K1011-11-N03
	Gear variable 4, L=1410, 1231-1710, 2 ML, backset 7,5 mm.	—	1231-1710	K1011-14-N03
	Gear variable 5, L=1610, 1431-1910, 2 ML, backset 7,5 mm.	—	1431-1910	K1011-16-N03
	Gear variable 6, L=2090, 1911-2390, 3 ML, backset 7,5 mm.	—	1911-2390	K1011-21-N03
2	Corner transmission 150x150	480-1280	450-2390	K2001-00-N03
2a	Bottom corner transmission with lifter, Se 150x150	480-1280	450-2390	K2008-00-N03
2b	Bottom corner transmission with lifter, 2ML, 150x150	480-1280	450-2390	K2009-00-N03
2c	Corner transmission 2 ML, 150x150	480-1280	450-2390	K2002-00-N03
2d	Corner transmission, 2 ML, Se	480-1280	450-2390	K2012-00-N03
3	Narrow corner transmission 50x150	380-480	450-2390	K2003-00-N03
		480-680	350-550	
4	Concealed stay arm connecting plate 1 L=530, 480-680, left	480-680	—	K3030-06-L03
	Concealed stay arm connecting plate 1 L=530, 480-680, right	480-680	—	K3030-06-R03
	Concealed stay arm connecting plate 2 L=650, 600-800, left	600-800	—	K3030-07-L03
	Concealed stay arm connecting plate 2 L=650, 600-800, right	600-800	—	K3030-07-R03
	Concealed stay arm connecting plate 3 L=890, 801-1040, left	801-1040	—	K3030-09-L03
	Concealed stay arm connecting plate 3 L=890, 801-1040, right	801-1040	—	K3030-09-R03
	Concealed stay arm connecting plate 4 L=1130, 1041-1280, left	1041-1280	—	K3030-12-L03
	Concealed stay arm connecting plate 4 L=1130, 1041-1280, right	1041-1280	—	K3030-12-R03
4a	Concealed stay arm for timber profile, 13 mm, 480-800, left	480-800	—	A3003-02-L03
	Concealed stay arm for timber profile, 13 mm, 480-800, right	480-800	—	A3003-02-R03
	Concealed stay arm for timber profile, 13 mm, 801-1040, left	801-1040	—	A3003-03-L03
	Concealed stay arm for timber profile, 13 mm, 801-1040, right	801-1040	—	A3003-03-R03
	Concealed stay arm for timber profile, 13 mm, 1041-1280, left	1041-1280	—	A3003-04-R03
	Concealed stay arm for timber profile, 13 mm, 1041-1280, right	1041-1280	—	A3003-04-R03
5	Middle lock L=400, 2 ML	600-1000	600-1000	K4004-04-N03
	Middle lock L=650, 2 ML	850-1250	850-1250	K4004-06-N03
	Middle lock L=720, 2 ML	920-1320	920-1320	K4004-07-N03
	Middle lock L=820, 2 ML	1251-1430	1251-1430	K4004-08-N03
	Middle lock L=1130, 3 ML	—	1251-1730	K4004-11-N03
5a	Middle lock L=400, 1MR + 1 ML	600-1000	600-1000	K4008-04-N03
	Middle lock L=650, 1MR + 1 ML	850-1250	850-1250	K4008-06-N03
	Middle lock L=820, 1MR + 1 ML	1251-1430	1251-1430	K4008-08-N03
	Middle lock L=1130, 1MR + 2 ML	—	1251-1730	K4008-11-N03



Tilt and turn set 13 system

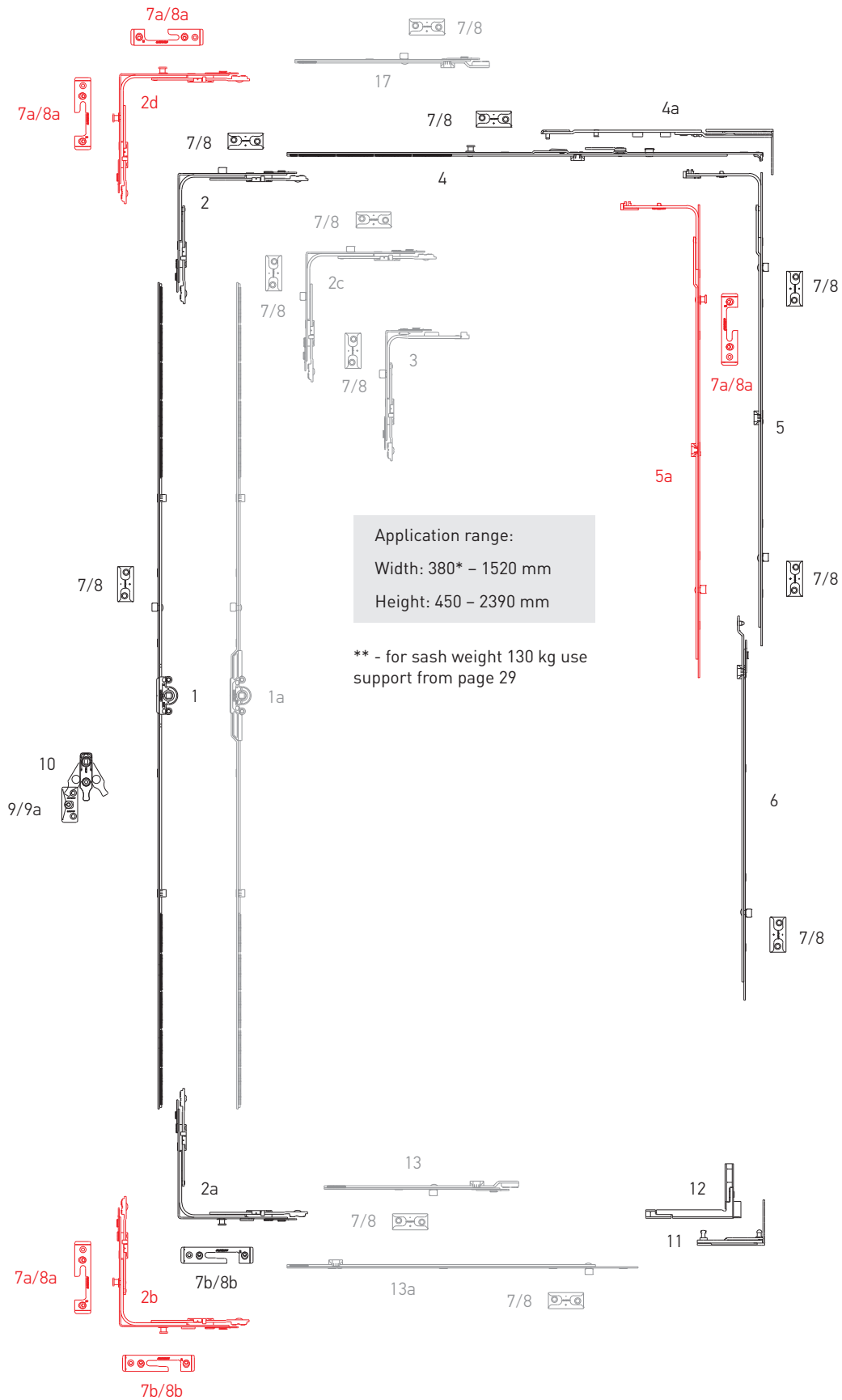
Hardware overviews

Nº	Description	Application range by width	Application range by height	Part No.
6	Middle lock extension 480 mm	–	1710-2210	K4005-05-N03
	Middle lock extension 680 mm	–	2211-2390	K4005-07-N03
7	Standard locking plate for timber profile 13 mm, 24/8	–	–	A7069-13-N03
7a	Locking plate SE for timber profile 13 mm, 24/8	–	–	S6031-13-L/R03
7b	Tilt locking plate Se for timber profile 13 mm, 24/8	–	–	S6033-13-L/R03
8	Standard locking plate for timber profile 13 mm, 30/20	–	–	A7087-13-N03
8a	Locking plate SE for timber profile 13 mm, 30/20	–	–	S6049-13-L/R03
8b	Tilt locking plate Se for timber profile 13 mm, 30/20	–	–	S6050-13-L/R03
9	Lifting plate 13 mm, 24/8	–	751-2390	A6037-13-N03
9a	Lifting plate 13 mm, 30/20	–	751-2390	A6038-13-N03
10	Wrong op. safety device with sash lifter	–	751-2390	A7001-00-N03
11	Concealed bottom hinge for timber profile, 13 mm, left	–	–	A5026-13-L03
	Concealed bottom hinge for timber profile, 13 mm, right	–	–	A5026-13-R03
12	Concealed bottom sash hinge, 13 mm, left	–	–	A5027-13-L03
	Concealed bottom sash hinge, 13 mm, right	–	–	A5027-13-R03
13	Extension lock 240 mm	–	–	K4003-02-N03
13a	Corner transmissions extension lock L=480 mm	–	–	K4010-00-N03

Tilt and turn set “First Tilt” 13 system

Hardware overviews

System K-3. Tilt and turn set “First Tilt” 13 system



* –with narrow corner transmission


Tilt and turn set “First Tilt” 13 system

Hardware overviews

Nº	Description	Application range by width	Application range by height	Part No.
1	Gear variable 0, L=250, 450-550	—	450-550	K1001-02-N03
	Gear variable 1, L=450, 551-750	—	551-750	K1001-04-N03
	Gear variable 2, L=930, 751-1230, 1 ML	—	751-1230	K1001-09-N03
	Gear variable 3, L=1130, 950-1430, 1 ML	—	950-1430	K1001-11-N03
	Gear variable 4, L=1410, 1231-1710, 2 ML	—	1231-1710	K1001-14-N03
	Gear variable 5, L=1610, 1431-1910, 2 ML	—	1431-1910	K1001-16-N03
	Gear variable 6, L=2090, 1911-2390, 3 ML	—	1911-2390	K1001-21-N03
1a	Gear variable 1, L=450, 551-750, backset 7,5 mm.	—	551-750	K1011-04-N03
	Gear variable 2, L=930, 751-1230, 1 ML, backset 7,5 mm.	—	751-1230	K1011-09-N03
	Gear variable 3, L=1130, 950-1430, 1 ML, backset 7,5 mm.	—	950-1430	K1011-11-N03
	Gear variable 4, L=1410, 1231-1710, 2 ML, backset 7,5 mm.	—	1231-1710	K1011-14-N03
	Gear variable 5, L=1610, 1431-1910, 2 ML, backset 7,5 mm.	—	1431-1910	K1011-16-N03
	Gear variable 6, L=2090, 1911-2390, 3 ML, backset 7,5 mm.	—	1911-2390	K1011-21-N03
2	Corner transmission 150x150	480-1280	450-2390	K2001-00-N03
2a	Bottom corner transmission with lifter, Se 150x150	480-1280	450-2390	K2008-00-N03
2b	Bottom corner transmission with lifter, 2ML, 150x150	480-1280	450-2390	K2009-00-N03
2c	Corner transmission 2 ML, 150x150	480-1280	450-2390	K2002-00-N03
2d	Corner transmission, 2 ML, Se	480-1280	450-2390	K2012-00-N03
3	Narrow corner transmission 50x150	380-480	450-2390	K2003-00-N03
		480-680	350-550	
4	Concealed stay arm connecting plate 1 L=530, 480-680, left	480-680	-	K3030-06-L03
	Concealed stay arm connecting plate 1 L=530, 480-680, right	480-680	-	K3030-06-R03
	Concealed stay arm connecting plate 2 L=650, 600-800, left	600-800	-	K3030-07-L03
	Concealed stay arm connecting plate 2 L=650, 600-800, right	600-800	-	K3030-07-R03
	Concealed stay arm connecting plate 3 L=890, 801-1040, left	801-1040	-	K3030-09-L03
	Concealed stay arm connecting plate 3 L=890, 801-1040, right	801-1040	-	K3030-09-R03
	Concealed stay arm connecting plate 4 L=1130, 1041-1280, left	1041-1280	-	K3030-12-L03
	Concealed stay arm connecting plate 4 L=1130, 1041-1280, right	1041-1280	-	K3030-12-R03
4a	Concealed stay arm “First Tilt” for timber profile, 13 mm, 480-800, left	480-800	-	A3007-02-L03
	Concealed stay arm “First Tilt” for timber profile, 13 mm, 480-800, right	480-800	-	A3007-02-R03
	Concealed stay arm “First Tilt” for timber profile, 13 mm, 801-1040, left	801-1040	-	A3007-03-L03
	Concealed stay arm “First Tilt” for timber profile, 13 mm, 801-1040, right	801-1040	-	A3007-03-R03
	Concealed stay arm “First Tilt” for timber profile, 13 mm, 1041-1280, left	1041-1280	-	A3007-04-L03
	Concealed stay arm “First Tilt” for timber profile, 13 mm, 1041-1280, right	1041-1280	-	A3007-04-R03
5	Middle lock L=400, 2 ML	600-1000	600-1000	K4004-04-N03
	Middle lock L=650, 2 ML	850-1250	850-1250	K4004-06-N03
	Middle lock L=720, 2 ML	920-1320	920-1320	K4004-07-N03
	Middle lock L=820, 2 ML	1251-1430	1251-1430	K4004-08-N03
	Middle lock L=1130, 3 ML	-	1251-1730	K4004-11-N03
5a	Middle lock L=400, 1MR + 1 ML	600-1000	600-1000	K4008-04-N03
	Middle lock L=650, 1MR + 1 ML	850-1250	850-1250	K4008-06-N03
	Middle lock L=820, 1MR + 1 ML	1251-1430	1251-1430	K4008-08-N03
	Middle lock L=1130, 1MR + 2 ML	-	1251-1730	K4008-11-N03


Tilt and turn set “First Tilt” 13 system

Hardware overviews

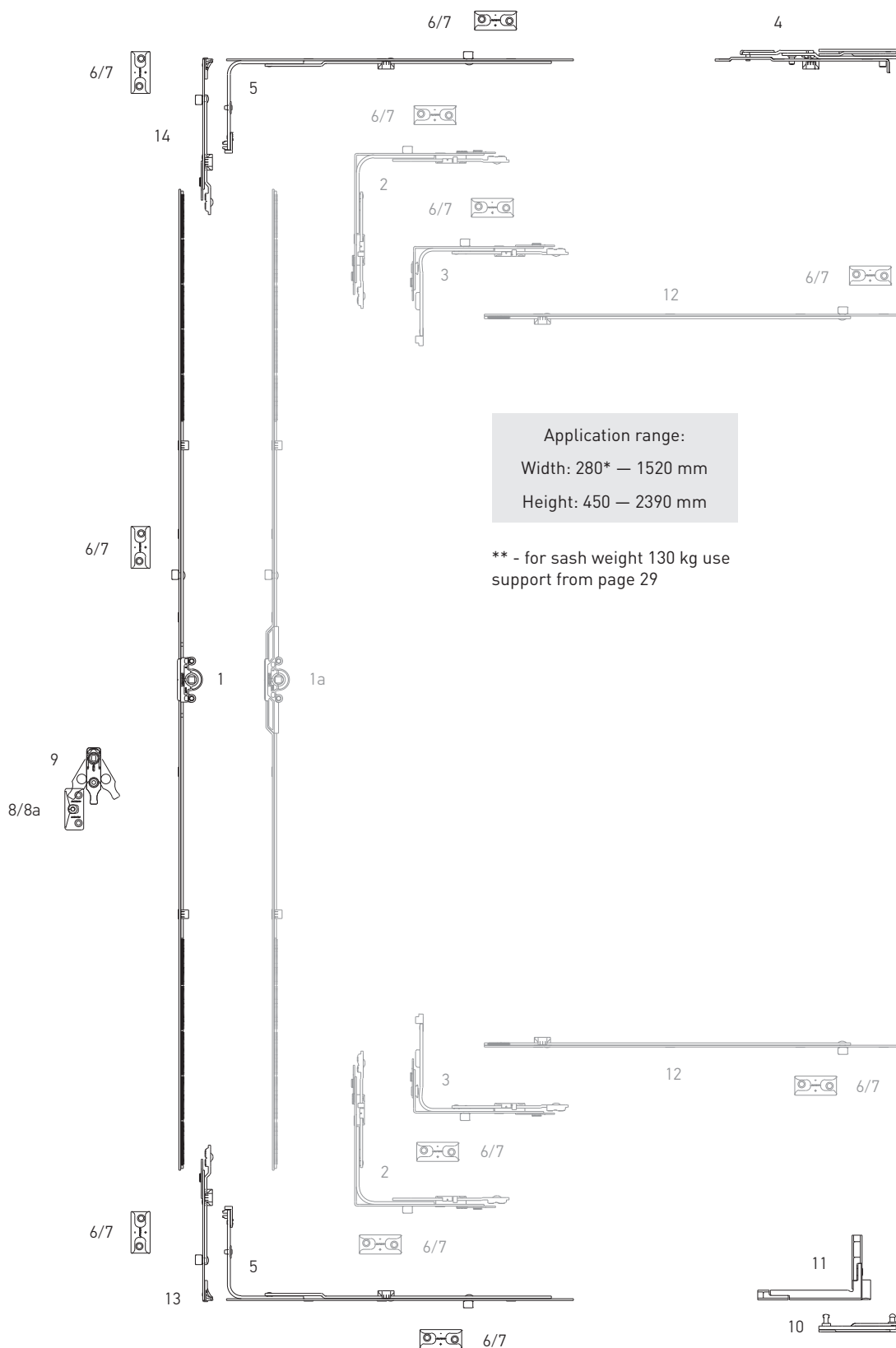
Nº	Description	Application range by width	Application range by height	Part No.
6	Middle lock extension 480 mm	–	1710-2210	K4005-05-N03
	Middle lock extension 680 mm	–	2211-2390	K4005-07-N03
7	Standard locking plate for timber profile 13 mm, 24/8	–	–	A7069-13-N03
7a	Locking plate SE for timber profile 13 mm, 24/8	–	–	S6031-13-L/R03
7b	First Tilt locking plate Se for timber profile 13 mm, 24/8, left/right	–	–	S6053-13-L/R03
8	Standard locking plate for timber profile 13 mm, 30/20	–	–	A7087-13-N03
8a	Locking plate SE for timber profile 13 mm, 30/20	–	–	S6049-13-L/R03
8b	First Tilt locking plate Se for timber profile 13 mm, 30/20, left/right	–	–	S6051-13-L/R03
9	Lifting plate 13 mm, 24/8	–	751-2390	A6037-13-N03
9a	Lifting plate 13 mm, 30/20	–	751-2390	A6038-13-N03
10	Wrong op. safety device with sash lifter	–	751-2390	A7001-00-N03
11	Concealed bottom hinge for timber profile, 13 mm, left	–	–	A5026-13-L03
	Concealed bottom hinge for timber profile, 13 mm, right	–	–	A5026-13-R03
12	Concealed bottom sash hinge, 13 mm, left	–	–	A5027-13-L03
	Concealed bottom sash hinge, 13 mm, right	–	–	A5027-13-R03
13	Extension lock 240 mm	–	–	K4003-02-N03
13a	Corner transmissions extension lock L=480 mm	–	–	K4010-00-N03



Turn set 13 system

Hardware overviews

System K-3. Advanced turn set 13 system



* - without middle lock extension



Turn set 13 system

Hardware overviews

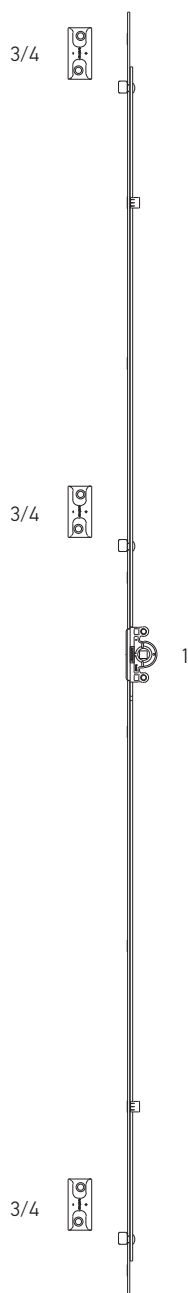
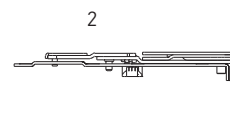
N°	Description	Application range by width	Application range by height	Part No.
1	Gear variable 0, L=250, 450-550	—	450-550	K1001-02-N03
	Gear variable 1, L=450, 551-750	—	551-750	K1001-04-N03
	Gear variable 2, L=930, 751-1230, 1 ML	—	751-1230	K1001-09-N03
	Gear variable 3, L=1130, 950-1430, 1 ML	—	950-1430	K1001-11-N03
	Gear variable 4, L=1410, 1231-1710, 2 ML	—	1231-1710	K1001-14-N03
	Gear variable 5, L=1610, 1431-1910, 2 ML	—	1431-1910	K1001-16-N03
	Gear variable 6, L=2090, 1911-2390, 3 ML	—	1911-2390	K1001-21-N03
1a	Gear variable 1, L=450, 551-750, backset 7,5 mm.	—	551-750	K1011-04-N03
	Gear variable 2, L=930, 751-1230, 1 ML, backset 7,5 mm.	—	751-1230	K1011-09-N03
	Gear variable 3, L=1130, 950-1430, 1 ML, backset 7,5 mm.	—	950-1430	K1011-11-N03
	Gear variable 4, L=1410, 1231-1710, 2 ML, backset 7,5 mm.	—	1231-1710	K1011-14-N03
	Gear variable 5, L=1610, 1431-1910, 2 ML, backset 7,5 mm.	—	1431-1910	K1011-16-N03
	Gear variable 6, L=2090, 1911-2390, 3 ML, backset 7,5 mm.	—	1911-2390	K1011-21-N03
2	Corner transmission 150x150	480-1280	450-2390	K2001-00-N03
3	Narrow corner transmission 50x150	380-480	450-2390	K2003-00-N03
		480-680	350-550	
4	Concealed side hung top hinge for timber profile, 13 mm, left	-	-	A5024-13-L03
	Concealed side hung top hinge for timber profile, 13 mm, right	-	-	A5024-13-R03
5	Middle lock L=400, 1 ML	600-1000	600-1000	K4001-04-N03
	Middle lock L=650, 1 ML	850-1250	850-1250	K4001-06-N03
	Middle lock L=720, 1 ML	920-1320	920-1320	K4001-07-N03
	Middle lock L=820, 2 ML	1251-1430	1251-1430	K4001-08-N03
	Middle lock L=1130, 2 ML	—	1251-1730	K4001-11-N03
6	Standard locking plate for timber profile 13 mm, 24/8	-	-	A7069-13-N03
7	Standard locking plate for timber profile 13 mm, 30/20	-	-	A7087-13-N03
8	Lifting plate 13 mm, 24/8	-	751-2390	A6037-13-N03
8a	Lifting plate 13 mm, 30/20	-	751-2390	A6038-13-N03
9	Wrong op. safety device with sash lifter	-	751-2390	A7001-00-N03
10	Concealed bottom hinge for timber profile, 13 mm, left	-	-	A5026-13-L03
	Concealed bottom hinge for timber profile, 13 mm, right	-	-	A5026-13-R03
11	Concealed bottom sash hinge, 13 mm, left	-	-	A5027-13-L03
	Concealed bottom sash hinge, 13 mm, right	-	-	A5027-13-R03
12	Corner transmissions extension lock L=480 mm	-	-	K4010-00-N03
13	Bottom extension for turn sash 90°	-	-	K4007-00-N03
14	Top extension for turn sash 180°	-	-	K4011-00-N03



Turn set 13 system

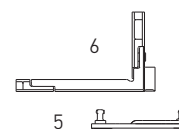
Hardware overviews

System K-3. Turn set 13 system



Application range:
Width: 280 — 700 mm
Height: 300 — 2400 mm

* - for sash weight 130 kg use support from page 29




Turn set 13 system

Hardware overviews

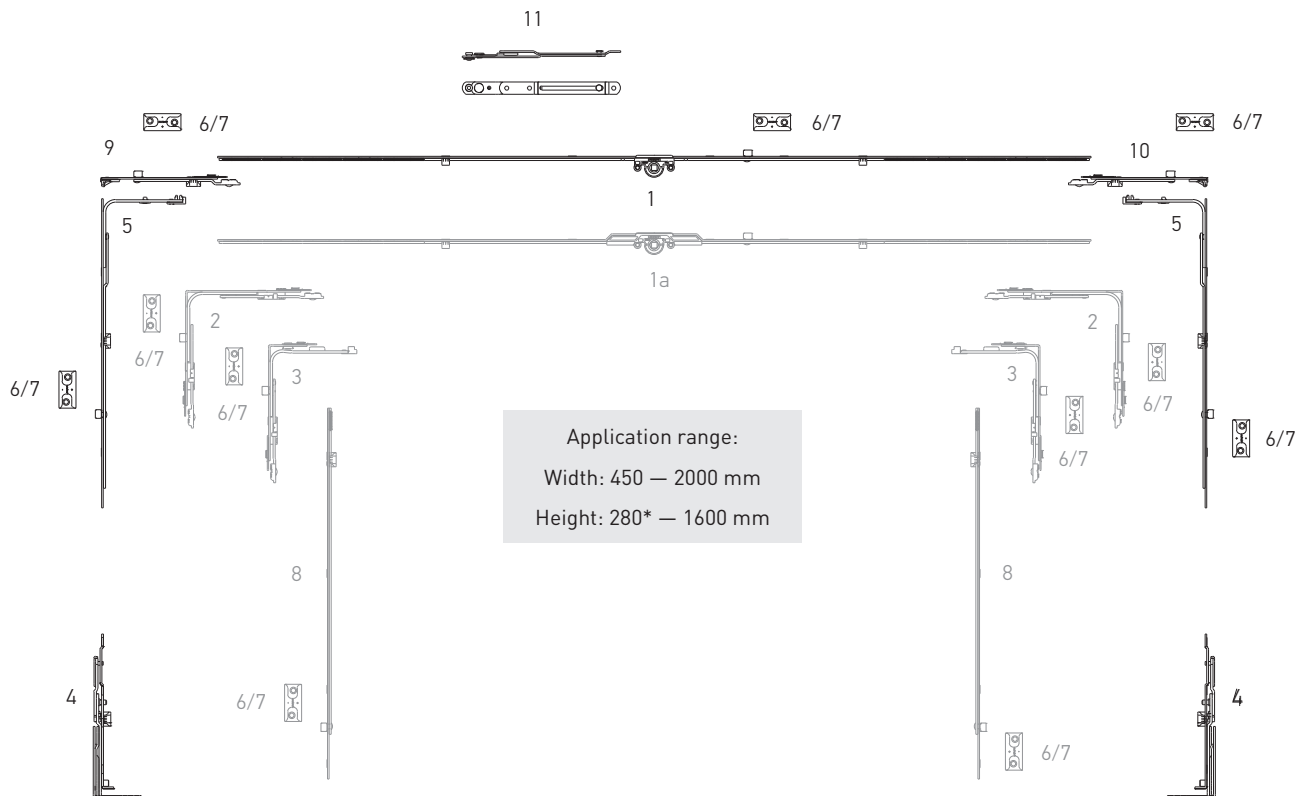
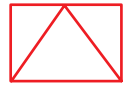
N°	Description	Application range by width	Application range by height	Part No.
1	Gear variable 1 L=300, 300 - 500, 2ML	380-700	300-500	K1003-03-N03
	Gear variable 2 L=400, 401 - 600, 2ML		401-600	K1003-04-N03
	Gear variable 3 L=600, 601 - 800, 2ML		601-800	K1003-06-N03
	Gear variable 4 L=800, 801 - 1000, 2 ML		801-1000	K1003-08-N03
	Gear variable 5 L=1000, 1001 - 1200, 3 ML		1001-1200	K1003-10-N03
	Gear variable 6 L=1200, 1201 - 1400, 3ML		1201-1400	K1003-12-N03
	Gear variable 7 L=1400, 1401 - 1600, 3ML		1401-1600	K1003-14-N03
	Gear variable 8 L=1600, 1601 - 1800, 4ML		1601-1800	K1003-16-N03
	Gear variable 9 L=1800, 1801 - 2000, 4ML		1801-2000	K1003-18-N03
	Gear variable 10 L=2000, 2001 - 2200, 4ML		2001-2200	K1003-20-N03
	Gear variable 11 L=2200, 2201 - 2400, 4ML		2201-2400	K1003-22-N03
2	Concealed side hung top hinge for timber profile, 13 mm, left	-	-	A5024-13-L03
	Concealed side hung top hinge for timber profile, 13 mm, right	-	-	A5024-13-R03
3	Standard locking plate for timber profile 13 mm, 24/8	-	-	A7069-13-N03
4	Standard locking plate for timber profile 13 mm, 30/20	-	-	A7087-13-N03
5	Concealed bottom hinge for timber profile, 13 mm, left	-	-	A5026-13-L03
	Concealed bottom hinge for timber profile, 13 mm, right	-	-	A5026-13-R03
6	Concealed bottom sash hinge, 13 mm, left	-	-	A5027-13-L03
	Concealed bottom sash hinge, 13 mm, right	-	-	A5027-13-R03



Tilt set 13 system

Hardware overviews

System K-3. Advanced tilt set 13 system



* – without middle lock extension


Tilt set 13 system

Hardware overviews

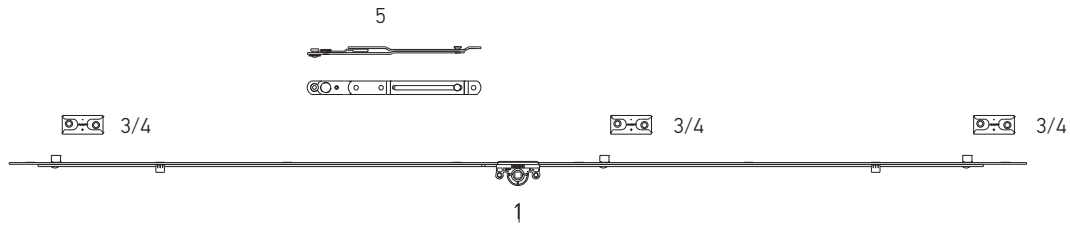
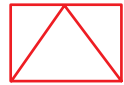
N°	Description	Application range by width	Application range by height	Part No.
1	Gear variable 0, L=250, 450-550	—	450-550	K1001-02-N03
	Gear variable 1, L=450, 551-750	—	551-750	K1001-04-N03
	Gear variable 2, L=930, 751-1230, 1 ML	—	751-1230	K1001-09-N03
	Gear variable 3, L=1130, 950-1430, 1 ML	—	950-1430	K1001-11-N03
	Gear variable 4, L=1410, 1231-1710, 2 ML	—	1231-1710	K1001-14-N03
	Gear variable 5, L=1610, 1431-1910, 2 ML	—	1431-1910	K1001-16-N03
	Gear variable 6, L=2090, 1911-2390, 3 ML	—	1911-2390	K1001-21-N03
1a	Gear variable 1, L=450, 551-750, backset 7,5 mm.	—	551-750	K1011-04-N03
	Gear variable 2, L=930, 751-1230, 1 ML, backset 7,5 mm.	—	751-1230	K1011-09-N03
	Gear variable 3, L=1130, 950-1430, 1 ML, backset 7,5 mm.	—	950-1430	K1011-11-N03
	Gear variable 4, L=1410, 1231-1710, 2 ML, backset 7,5 mm.	—	1231-1710	K1011-14-N03
	Gear variable 5, L=1610, 1431-1910, 2 ML, backset 7,5 mm.	—	1431-1910	K1011-16-N03
	Gear variable 6, L=2090, 1911-2390, 3 ML, backset 7,5 mm.	—	1911-2390	K1011-21-N03
2	Corner transmission 150x150	480-1280	450-2390	K2001-00-N03
3	Narrow corner transmission 50x150	380-480	450-2390	K2003-00-N03
		480-680	350-550	
4	Concealed side hung top hinge for timber profile, 13 mm, left	-	-	A5024-13-L03
	Concealed side hung top hinge for timber profile, 13 mm, right	-	-	A5024-13-R03
5	Middle lock L=400, 1 ML	600-1000	600-1000	K4001-04-N03
	Middle lock L=650, 1 ML	850-1250	850-1250	K4001-06-N03
	Middle lock L=720, 1 ML	920-1320	920-1320	K4001-07-N03
	Middle lock L=820, 2 ML	1251-1430	1251-1430	K4001-08-N03
	Middle lock L=1130, 2 ML	—	1251-1730	K4001-11-N03
6	Standard locking plate for timber profile 13 mm, 24/8	-	-	A7069-13-N03
7	Standard locking plate for timber profile 13 mm, 30/20	-	-	A7087-13-N03
8	Corner transmissions extension lock L=480 mm	-	-	K4010-00-N03
9	Bottom extension for turn sash 90°	-	-	K4007-00-N03
10	Top extension for turn sash 180°	-	-	K4011-00-N03
11	Tilt stay arm (fixing on gear)	-	-	A7017-00-N03



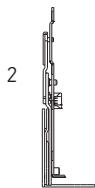
Tilt set 13 system

Hardware overviews

System K-3. Tilt set 13 system



Application range:
Width: 300 — 2000 mm
Height: 280 — 700 mm

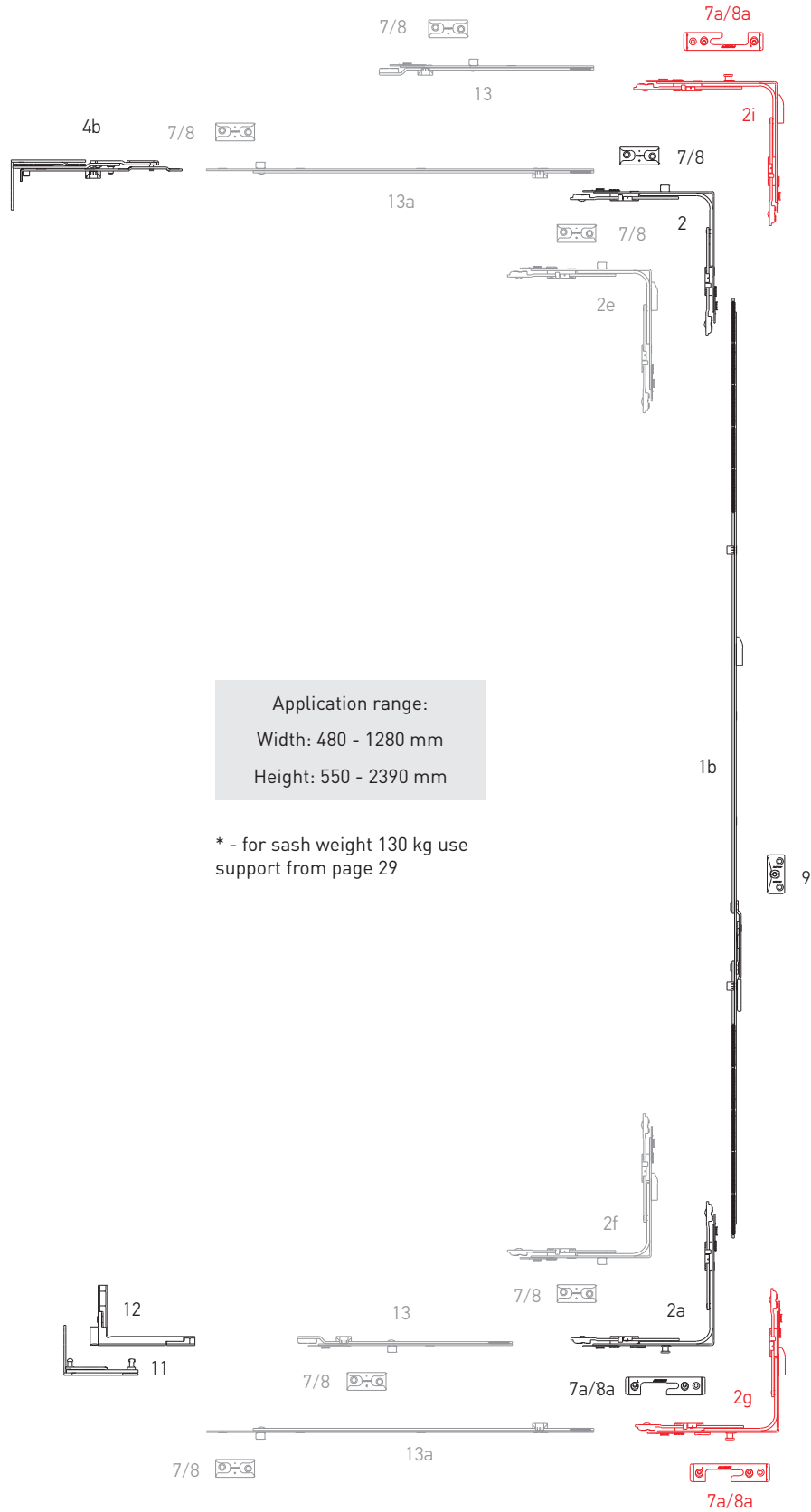
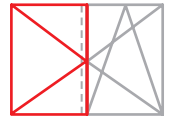


Nº	Description	Application range by width	Application range by height	Part No.
1	Gear variable 1 L=300, 300 - 500, 2ML	380-700	300-500	K1003-03-N03
	Gear variable 2 L=400, 401 - 600, 2ML		401-600	K1003-04-N03
	Gear variable 3 L=600, 601 - 800, 2ML		601-800	K1003-06-N03
	Gear variable 4 L=800, 801 - 1000, 2 ML		801-1000	K1003-08-N03
	Gear variable 5 L=1000, 1001 - 1200, 3 ML		1001-1200	K1003-10-N03
	Gear variable 6 L=1200, 1201 - 1400, 3ML		1201-1400	K1003-12-N03
	Gear variable 7 L=1400, 1401 - 1600, 3ML		1401-1600	K1003-14-N03
	Gear variable 8 L=1600, 1601 - 1800, 4ML		1601-1800	K1003-16-N03
	Gear variable 9 L=1800, 1801 - 2000, 4ML		1801-2000	K1003-18-N03
	Gear variable 10 L=2000, 2001 - 2200, 4ML		2001-2200	K1003-20-N03
	Gear variable 11 L=2200, 2201 - 2400, 4ML		2201-2400	K1003-22-N03
2	Concealed side hung top hinge for timber profile, 13 mm, left	-	-	A5024-13-L03
	Concealed side hung top hinge for timber profile, 13 mm, right	-	-	A5024-13-R03
3	Standard locking plate for timber profile 13 mm, 24/8	-	-	A7069-13-N03
4	Standard locking plate for timber profile 13 mm, 30/20	-	-	A7087-13-N03
5	Tilt stay arm (fixing on gear)	-	-	A7017-00-N03

Double sash set 13 system

Hardware overviews

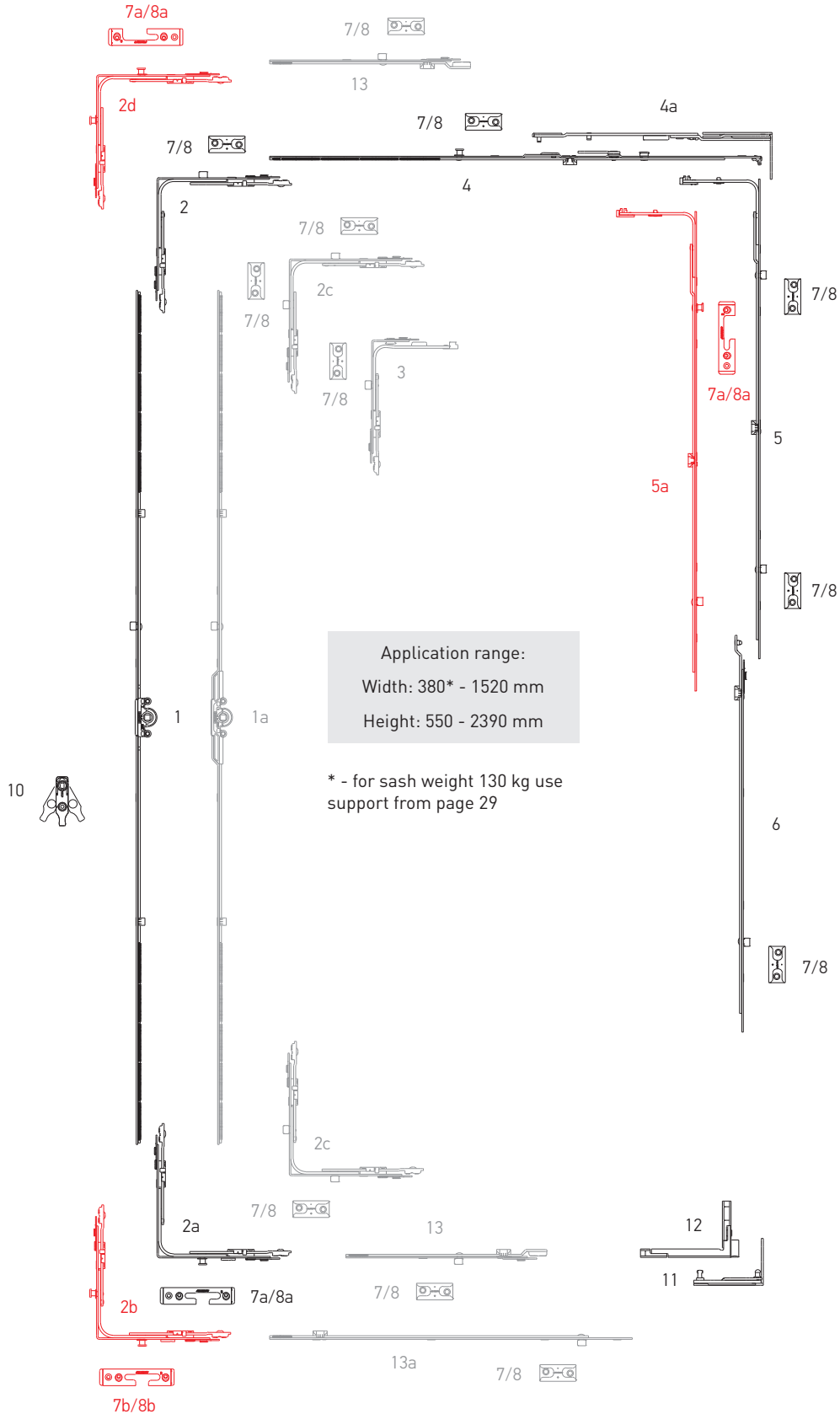
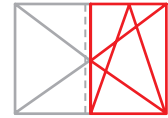
System K-3. Double sash set 13 system



Double sash set 13 system

Hardware overviews

System K-3. Main sash 13 system



* -with narrow corner transmission



Double sash set 13 system

Hardware overviews

Nº	Description	Application range by width	Application range by height	Part No.
1	Gear variable 0, L=250, 450-550	-	450-550	K1001-02-N03
	Gear variable 1, L=450, 551-750	-	551-750	K1001-04-N03
	Gear variable 2, L=930, 751-1230, 1 ML	-	751-1230	K1001-09-N03
	Gear variable 3, L=1130, 950-1430, 1 ML	-	950-1430	K1001-11-N03
	Gear variable 4, L=1410, 1231-1710, 2 ML	-	1231-1710	K1001-14-N03
	Gear variable 5, L=1610, 1431-1910, 2 ML	-	1431-1910	K1001-16-N03
	Gear variable 6, L=2090, 1911-2390, 3 ML	-	1911-2390	K1001-21-N03
1a	Gear variable 1, L=450, 551-750, backset 7,5 mm.	—	551-750	K1011-04-N03
	Gear variable 2, L=930, 751-1230, 1 ML, backset 7,5 mm.	—	751-1230	K1011-09-N03
	Gear variable 3, L=1130, 950-1430, 1 ML, backset 7,5 mm.	—	950-1430	K1011-11-N03
	Gear variable 4, L=1410, 1231-1710, 2 ML, backset 7,5 mm.	—	1231-1710	K1011-14-N03
	Gear variable 5, L=1610, 1431-1910, 2 ML, backset 7,5 mm.	—	1431-1910	K1011-16-N03
	Gear variable 6, L=2090, 1911-2390, 3 ML, backset 7,5 mm.	—	1911-2390	K1011-21-N03
1b	Double sash lever espagnolete variable 1 L=450, 551-750	-	551-750	K1002-04-N03
	Double sash lever espagnolete variable 2 L=650, 751-950	-	751-950	K1002-06-N03
	Double sash lever espagnolete variable 3 L=1130, 951-1430	-	951-1430	K1002-11-N03
	Double sash lever espagnolete variable 4 L=1610, 1431-1910	-	1431-1910	K1002-16-N03
	Double sash lever espagnolete variable 5 L=2090, 1911-2390	-	1911-2390	K1002-21-N03
2	Corner transmission 150x150	480-1280	450-2390	K2001-00-N03
2a	Bottom corner transmission with lifter	480-1280	450-2390	K2008-00-N03
2b	Bottom corner transmission with lifter, 2ML, 150x150	480-1280	450-2390	K2009-00-N03
2c	Corner transmission 2 ML, 150x150	480-1280	450-2390	K2002-00-N03
2d	Corner transmission 2 ML, 150x150, Se	480-1280	450-2390	K2012-00-N03
2e	Corner transmission for double sash, top	480-1280	450-2390	K2007-01-N03
2f	Corner transmission for double sash, bottom	480-1280	450-2390	K2007-02-N03
2g	Corner transmission for double sash for timber profile, bottom	480-1280	450-2390	K2010-00-N03
2i	Corner transmission for double sash, Se, top	480-1280	450-2390	K2011-00-N03
3	Narrow corner transmission 50x150	380-480	450-2390	K2003-00-N03
		480-680	350-550	
4	Concealed stay arm connecting plate 1 L=530, 480-680, left	480-680	-	K3030-06-L03
	Concealed stay arm connecting plate 1 L=530, 480-680, right	480-680	-	K3030-06-R03
	Concealed stay arm connecting plate 2 L=650, 600-800, left	600-800	-	K3030-07-L03
	Concealed stay arm connecting plate 2 L=650, 600-800, right	600-800	-	K3030-07-R03
	Concealed stay arm connecting plate 3 L=890, 801-1040, left	801-1040	-	K3030-09-L03
	Concealed stay arm connecting plate 3 L=890, 801-1040, right	801-1040	-	K3030-09-R03
	Concealed stay arm connecting plate 4 L=1130, 1041-1280, left	1041-1280	-	K3030-12-L03
	Concealed stay arm connecting plate 4 L=1130, 1041-1280, right	1041-1280	-	K3030-12-R03
4a	Concealed stay arm for timber profile, 13 mm, 480-800, left	480-800	-	A3003-02-L03
	Concealed stay arm for timber profile, 13 mm, 480-800, right	480-800	-	A3003-02-R03
	Concealed stay arm for timber profile, 13 mm, 801-1040, left	801-1040	-	A3003-03-L03
	Concealed stay arm for timber profile, 13 mm, 801-1040, right	801-1040	-	A3003-03-R03
	Concealed stay arm for timber profile, 13 mm, 1041-1280, left	1041-1280	-	A3003-04-L03
	Concealed stay arm for timber profile, 13 mm, 1041-1280, right	1041-1280	-	A3003-04-R03
4b	Concealed side hung top hinge for timber profile, 13 mm, left	-	-	A5024-13-L03
	Concealed side hung top hinge for timber profile, 13 mm, right	-	-	A5024-13-R03



Double sash set 13 system

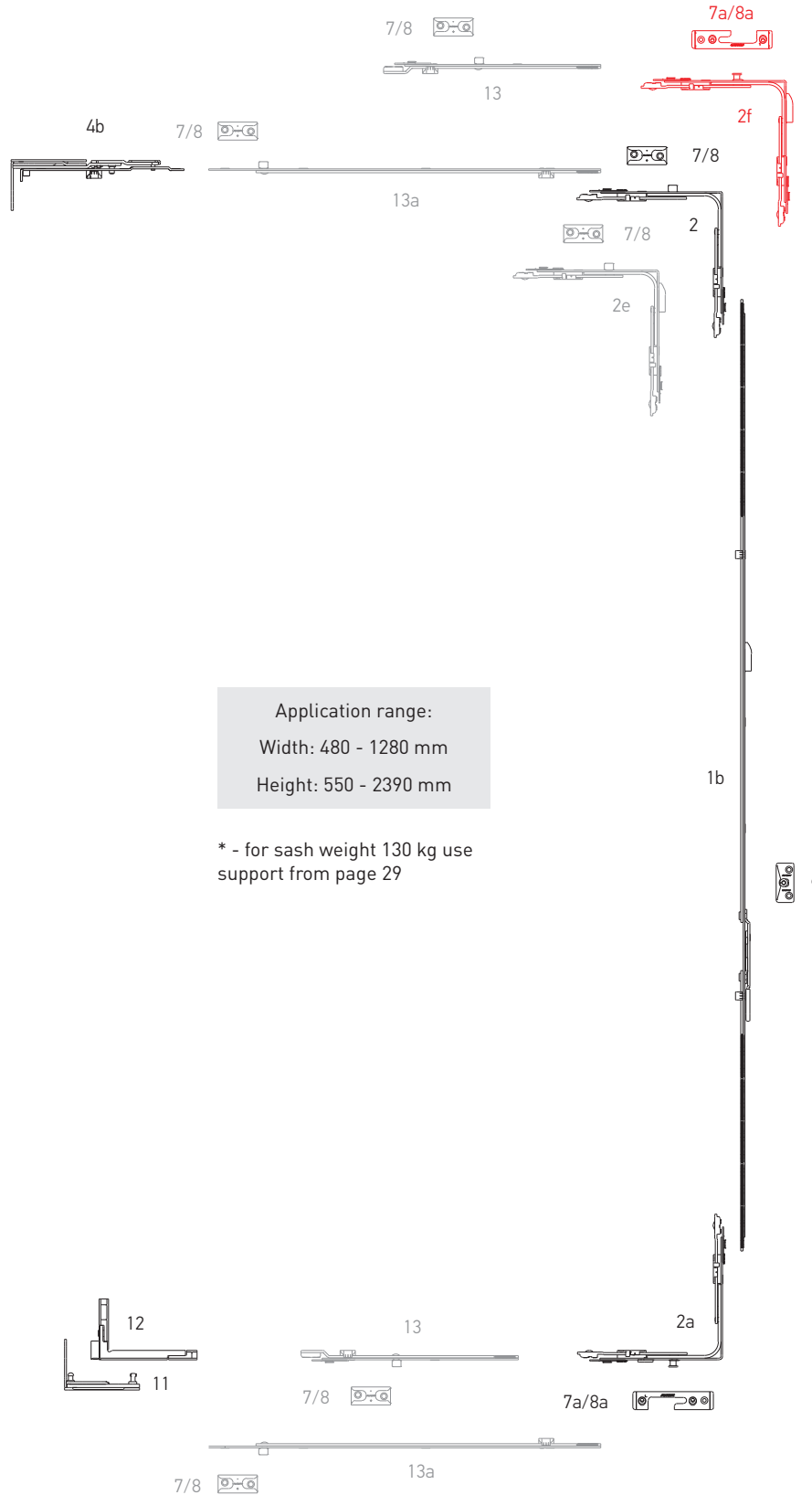
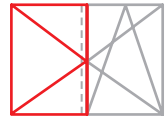
Hardware overviews

Nº	Description	Application range by width	Application range by height	Part No.
5	Middle lock L=400, 2 ML	600-1000	600-1000	K4004-04-N03
	Middle lock L=650, 2 ML	850-1250	850-1250	K4004-06-N03
	Middle lock L=720, 2 ML	920-1320	920-1320	K4004-07-N03
	Middle lock L=820, 2 ML	1251-1430	1251-1430	K4004-08-N03
	Middle lock L=1130, 3 ML	—	1251-1730	K4004-11-N03
5a	Middle lock L=400, 1MR + 1 ML	600-1000	600-1000	K4008-04-N03
	Middle lock L=650, 1MR + 1 ML	850-1250	850-1250	K4008-06-N03
	Middle lock L=820, 1MR + 1 ML	1251-1430	1251-1430	K4008-08-N03
	Middle lock L=1130, 1MR + 2 ML	—	1251-1730	K4008-11-N03
6	Middle lock extension 480 mm	—	1710-2210	K4005-05-N03
	Middle lock extension 680 mm	—	2231-2390	K4005-07-N03
7	Standard locking plate for timber profile 13 mm, 24/8	—	—	A7069-13-N03
7a	Locking plate SE for timber profile 13 mm, 24/8	—	—	S6031-13-L/R03
7b	Tilt locking plate Se for timber profile 13 mm, 24/8	—	—	S6033-13-L/R03
8	Standard locking plate for timber profile 13 mm, 30/20	—	—	A7087-13-N03
8a	Locking plate SE for timber profile 13 mm, 30/20	—	—	S6049-13-L/R03
8b	Tilt locking plate Se for timber profile 13 mm, 30/20	—	—	S6050-13-L/R03
9	Lifting plate for double sash	—	751-2390	A6001-00-N03
10	Wrong op. safety device with sash lifter	—	751-2390	A7001-00-N03
11	Concealed bottom hinge for timber profile, 13 mm, left	—	—	A5026-13-L03
	Concealed bottom hinge for timber profile, 13 mm, right	—	—	A5026-13-R03
12	Concealed bottom sash hinge, 13 mm, left	—	—	A5027-13-L03
	Concealed bottom sash hinge, 13 mm, right	—	—	A5027-13-R03
13	Extension lock 240 mm	—	—	K4003-02-N03
13a	Corner transmissions extension lock L=480 mm	—	—	K4010-00-N03

Double sash set “First Tilt” 13 system

Hardware overviews

System K-3. Double sash set “First Tilt” 13 system



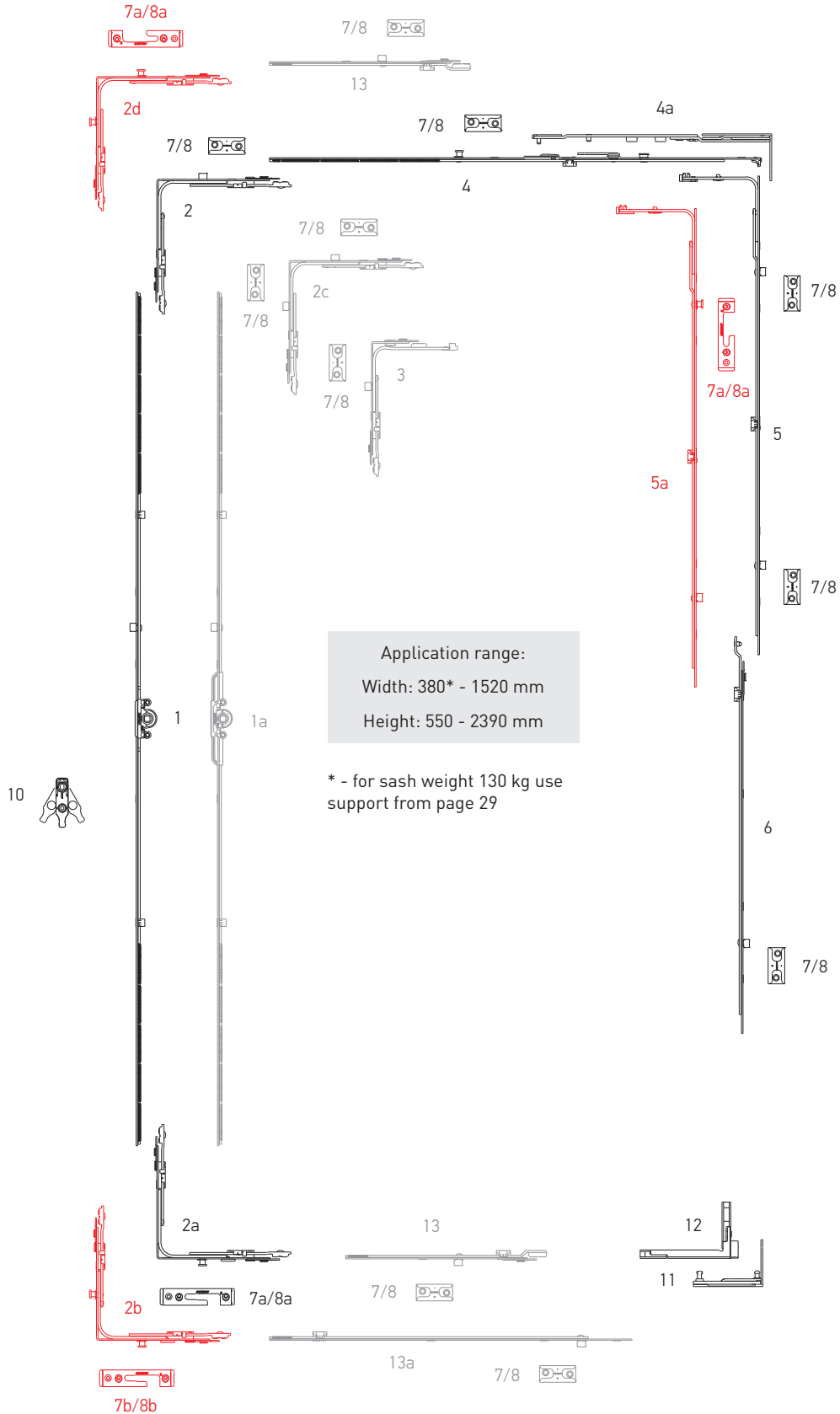
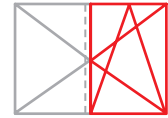
Application range:
 Width: 480 - 1280 mm
 Height: 550 - 2390 mm

* - for sash weight 130 kg use support from page 29

Double sash set “First Tilt” 13 system

Hardware overviews

System K-3. Main sash “First Tilt” 13 system



* -with narrow corner transmission



Double sash set “First Tilt” 13 system

Hardware overviews

Nº	Description	Application range by width	Application range by height	Part No.
1	Gear variable 0, L=250, 450-550	–	450-550	K1001-02-N03
	Gear variable 1, L=450, 551-750	–	551-750	K1001-04-N03
	Gear variable 2, L=930, 751-1230, 1 ML	–	751-1230	K1001-09-N03
	Gear variable 3, L=1130, 950-1430, 1 ML	–	950-1430	K1001-11-N03
	Gear variable 4, L=1410, 1231-1710, 2 ML	–	1231-1710	K1001-14-N03
	Gear variable 5, L=1610, 1431-1910, 2 ML	–	1431-1910	K1001-16-N03
	Gear variable 6, L=2090, 1911-2390, 3 ML	–	1911-2390	K1001-21-N03
1a	Gear variable 1, L=450, 551-750, backset 7,5 mm.	—	551-750	K1011-04-N03
	Gear variable 2, L=930, 751-1230, 1 ML, backset 7,5 mm.	—	751-1230	K1011-09-N03
	Gear variable 3, L=1130, 950-1430, 1 ML, backset 7,5 mm.	—	950-1430	K1011-11-N03
	Gear variable 4, L=1410, 1231-1710, 2 ML, backset 7,5 mm.	—	1231-1710	K1011-14-N03
	Gear variable 5, L=1610, 1431-1910, 2 ML, backset 7,5 mm.	—	1431-1910	K1011-16-N03
	Gear variable 6, L=2090, 1911-2390, 3 ML, backset 7,5 mm.	—	1911-2390	K1011-21-N03
1b	Double sash lever espagnolete variable 1 L=450, 551-750	–	551-750	K1002-04-N03
	Double sash lever espagnolete variable 2 L=650, 751-950	–	751-950	K1002-06-N03
	Double sash lever espagnolete variable 3 L=1130, 951-1430	–	951-1430	K1002-11-N03
	Double sash lever espagnolete variable 4 L=1610, 1431-1910	–	1431-1910	K1002-16-N03
	Double sash lever espagnolete variable 5 L=2090, 1911-2390	–	1911-2390	K1002-21-N03
2	Corner transmission 150x150	480-1280	450-2390	K2001-00-N03
2a	Bottom corner transmission with lifter	480-1280	450-2390	K2008-00-N03
2b	Bottom corner transmission with lifter, 2ML, 150x150	480-1280	450-2390	K2009-00-N03
2c	Corner transmission 2 ML, 150x150	480-1280	450-2390	K2002-00-N03
2d	Corner transmission 2 ML, 150x150, Se	480-1280	450-2390	K2012-00-N03
2e	Corner transmission for double sash, top	480-1280	450-2390	K2007-01-N03
2f	Corner transmission for double sash, bottom	480-1280	450-2390	K2007-02-N03
3	Narrow corner transmission 50x150	380-480	450-2390	K2003-00-N03
		480-680	350-550	
4	Concealed stay arm connecting plate 1 L=530, 480-680, left	480-680	–	K3030-06-L03
	Concealed stay arm connecting plate 1 L=530, 480-680, right	480-680	–	K3030-06-R03
	Concealed stay arm connecting plate 2 L=650, 600-800, left	600-800	–	K3030-07-L03
	Concealed stay arm connecting plate 2 L=650, 600-800, right	600-800	–	K3030-07-R03
	Concealed stay arm connecting plate 3 L=890, 801-1040, left	801-1040	–	K3030-09-L03
	Concealed stay arm connecting plate 3 L=890, 801-1040, right	801-1040	–	K3030-09-R03
	Concealed stay arm connecting plate 4 L=1130,1041-1280, left	1041-1280	–	K3030-12-L03
	Concealed stay arm connecting plate 4 L=1130,1041-1280, right	1041-1280	–	K3030-12-R03
4a	Concealed stay arm “First Tilt” for timber profile, 13 mm, 480-800, left	480-800	–	A3007-02-L03
	Concealed stay arm “First Tilt” for timber profile, 13 mm, 480-800, right	480-800	–	A3007-02-R03
	Concealed stay arm “First Tilt” for timber profile, 13 mm, 801-1040, left	801-1040	–	A3007-03-L03
	Concealed stay arm “First Tilt” for timber profile, 13 mm, 801-1040, right	801-1040	–	A3007-03-R03
	Concealed stay arm “First Tilt” for timber profile, 13 mm, 1041-1280, left	1041-1280	–	A3007-04-L03
	Concealed stay arm “First Tilt” for timber profile, 13 mm, 1041-1280, right	1041-1280	–	A3007-04-R03
4b	Concealed side hung top hinge for timber profile, 13 mm, left	–	–	A5024-13-L03
	Concealed side hung top hinge for timber profile, 13 mm, right	–	–	A5024-13-R03



Double sash set “First Tilt” 13 system

Hardware overviews

Nº	Description	Application range by width	Application range by height	Part No.
5	Middle lock L=400, 2 ML	600-1000	600-1000	K4004-04-N03
	Middle lock L=650, 2 ML	850-1250	850-1250	K4004-06-N03
	Middle lock L=720, 2 ML	920-1320	920-1320	K4004-07-N03
	Middle lock L=820, 2 ML	1251-1430	1251-1430	K4004-08-N03
	Middle lock L=1130, 3 ML	—	1251-1730	K4004-11-N03
5a	Middle lock L=400, 1MR + 1 ML	600-1000	600-1000	K4008-04-N03
	Middle lock L=650, 1MR + 1 ML	850-1250	850-1250	K4008-06-N03
	Middle lock L=820, 1MR + 1 ML	1251-1430	1251-1430	K4008-08-N03
	Middle lock L=1130, 1MR + 2 ML	—	1251-1730	K4008-11-N03
6	Middle lock extension 480 mm	—	1710-2210	K4005-05-N03
	Middle lock extension 680 mm	—	2231-2390	K4005-07-N03
7	Standard locking plate for timber profile 13 mm, 24/8	—	—	A7069-13-N03
7a	Locking plate SE for timber profile 13 mm, 24/8	—	—	S6031-13-L/R03
7b	First Tilt locking plate Se for timber profile 13 mm, 24/8, left/right	—	—	S6053-13-L/R03
8	Standard locking plate for timber profile 13 mm, 30/20	—	—	A7087-13-N03
8a	Locking plate SE for timber profile 13 mm, 30/20	—	—	S6049-13-L/R03
8b	First Tilt locking plate Se for timber profile 13 mm, 30/20, left/right	—	—	S6051-13-L/R03
9	Lifting plate for double sash	—	751-2390	A6001-00-N03
10	Wrong op. safety device with sash lifter	—	751-2390	A7001-00-N03
11	Concealed bottom hinge for timber profile, 13 mm, left	—	—	A5026-13-L03
	Concealed bottom hinge for timber profile, 13 mm, right	—	—	A5026-13-R03
12	Concealed bottom sash hinge, 13 mm, left	—	—	A5027-13-L03
	Concealed bottom sash hinge, 13 mm, right	—	—	A5027-13-R03
13	Extension lock 240 mm	—	—	K4003-02-N03
13a	Corner transmissions extension lock L=480 mm	—	—	K4010-00-N03

AXORTM

ELITE +

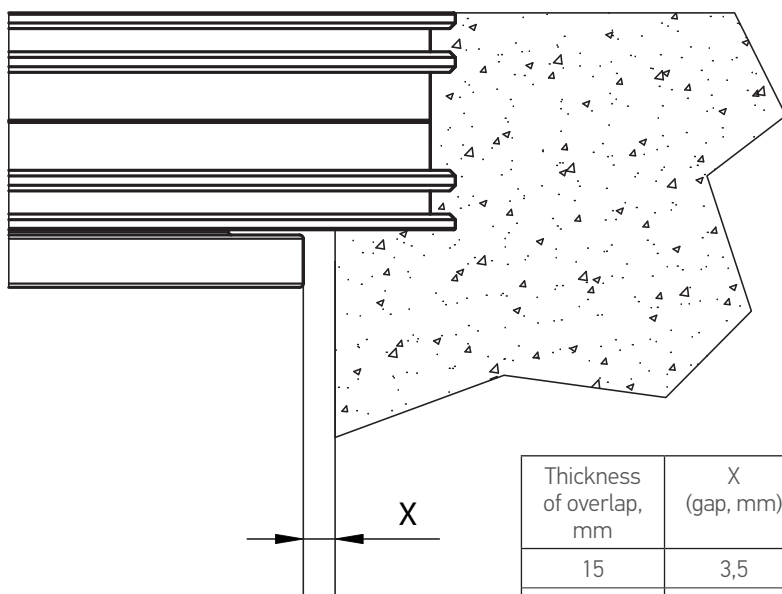
Tools / Installation / Adjustments

AXOR



Minimum hinges' clearance

Tools / Installation /
Adjustments



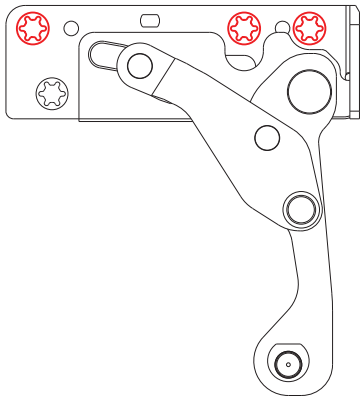
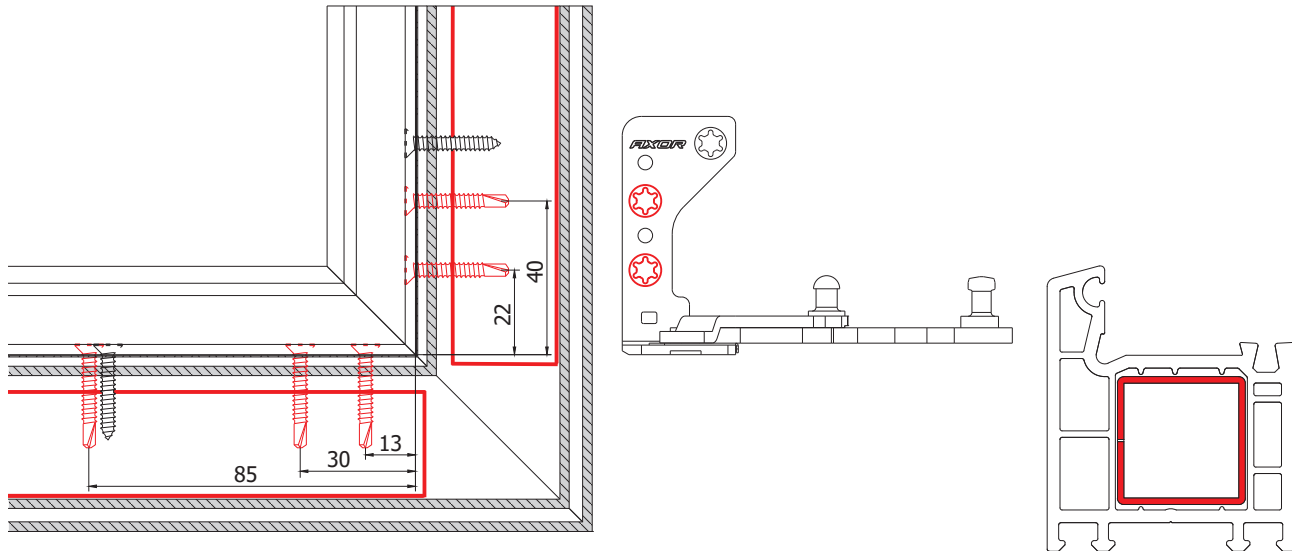
Thickness of overlap, mm	X (gap, mm)
15	3,5
18	5,5
22	8,5



Recommendations

Tools / Installation /
Adjustments

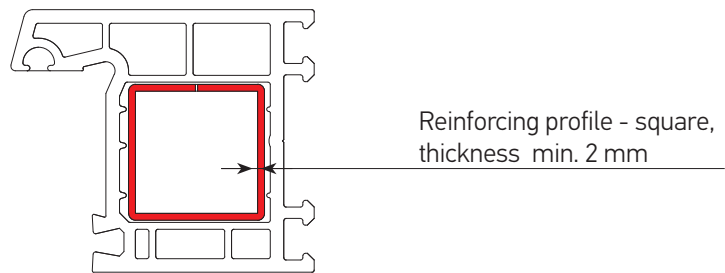
Recommendations for usage of reinforcing profile in a frame



All screws must be installed into the reinforcing profile

Minimum sizes of clearance between a frame and a sash:

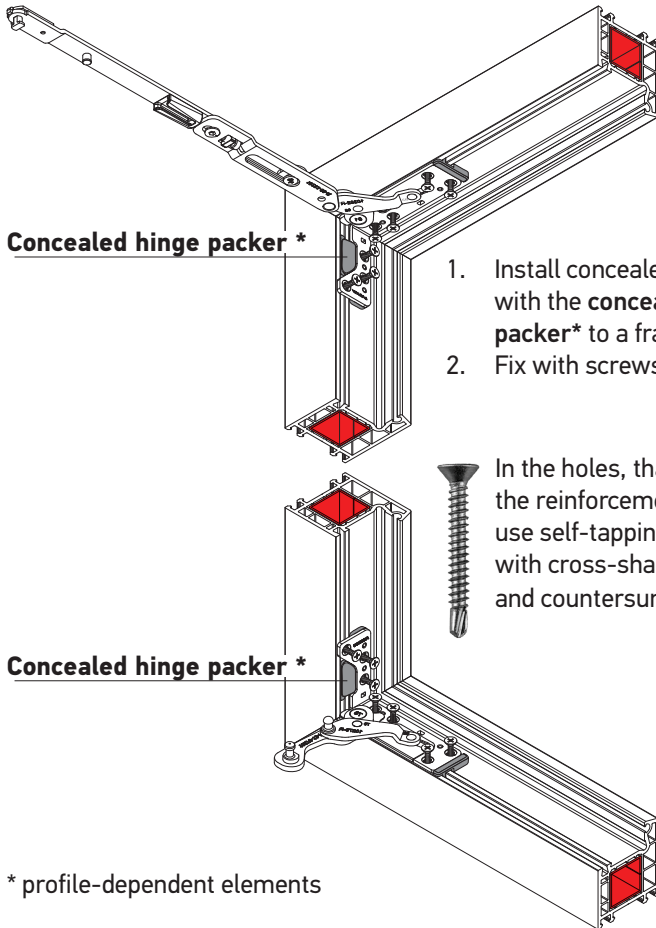
Bottom	min. 12,5 mm
Top	min. 12 mm
Left / right	min. 12 mm



Hinges' installation

Tools / Installation / Adjustments

Hinges' installation on a frame

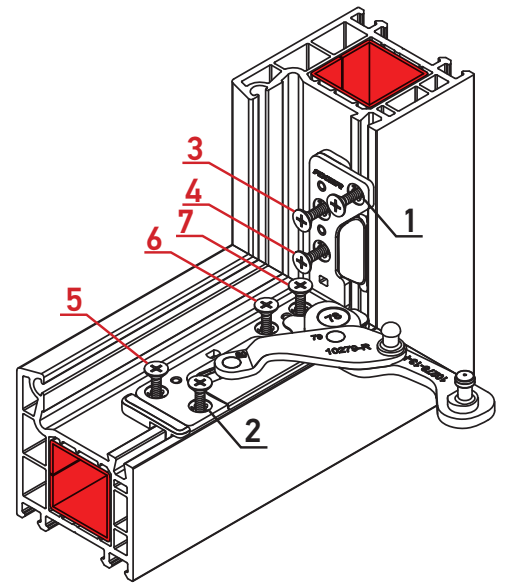


1. Install concealed stay arm with the **concealed hinge packer*** to a frame.
2. Fix with screws.

In the holes, that go through the reinforcement steel, use self-tapping screws 4.2x38 with cross-shaped slot and countersunk head.


* profile-dependent elements

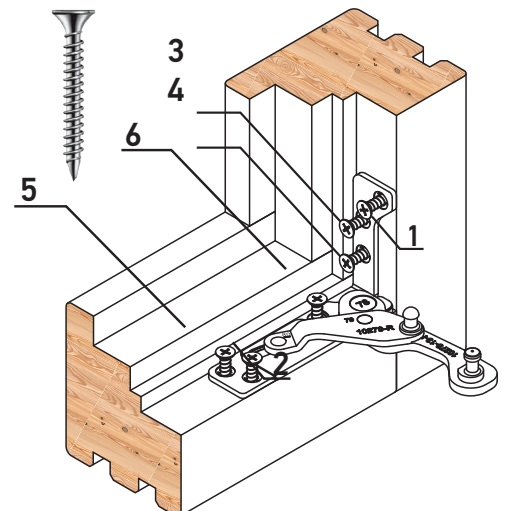
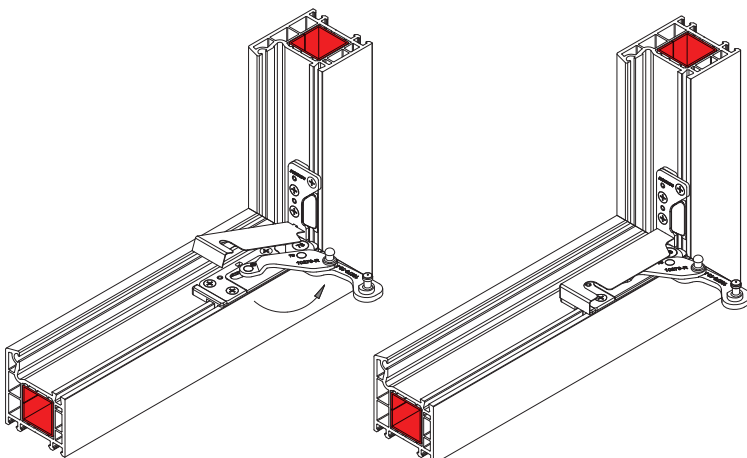
- Screwing procedure:
- Screws **1** and **2** for PVC in the groove for glassing bead
 - Self-tapping screws **3-7** into reinforcement steel
 - Screw the screw **7** with an extended screwdriver bit or a manual screw driver.
 - Strictly observe the perpendicular axis when tightening the screws.



Installation of a decorative cover

1. Open the hinge.
2. Install the cover in a hole on vertical part of the hinge.
3. Fasten the cover on horizontal part of the hinge.

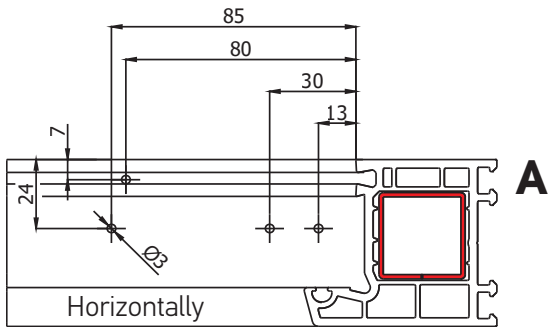
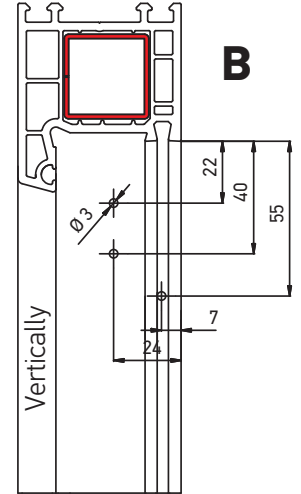
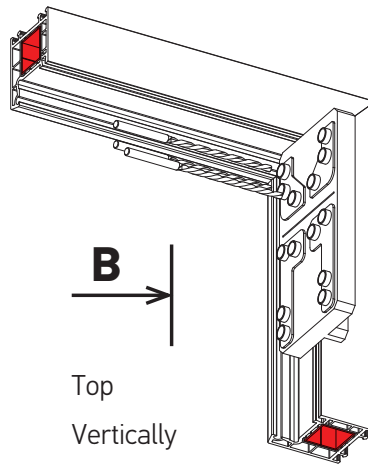
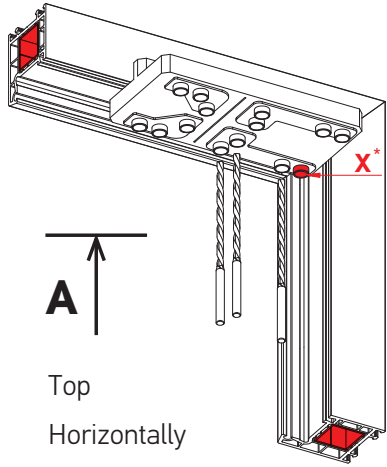
 **Installation is carried out without the concealed hinge packers, hinges are installed in the point blank of frame rebate**




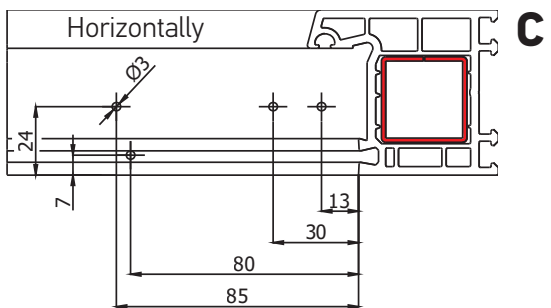
Drilling guidance

Tools / Installation / Adjustments

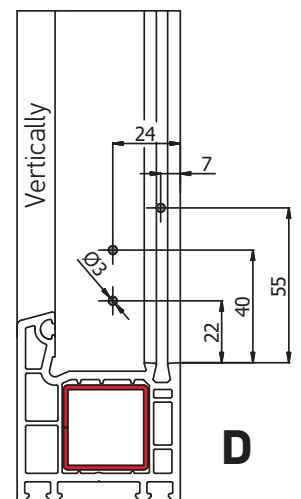
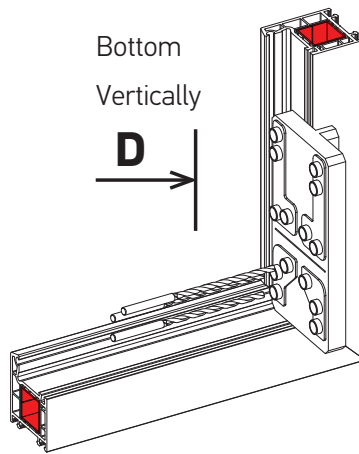
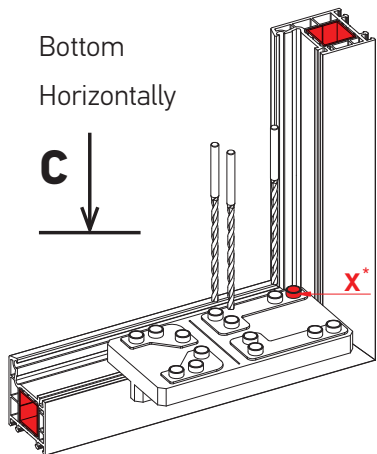
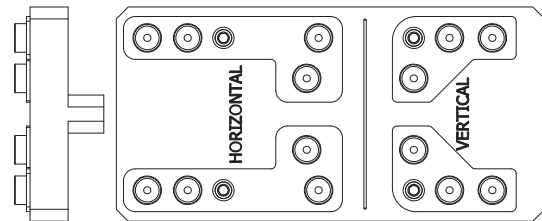
Drilling guidance for top and bottom hinges on a frame, on the right



 **Holes must pass through the reinforcement, except for the marked hole «X»**
X* — Do not drill with the drilling template. Screw the screw during hinge installation



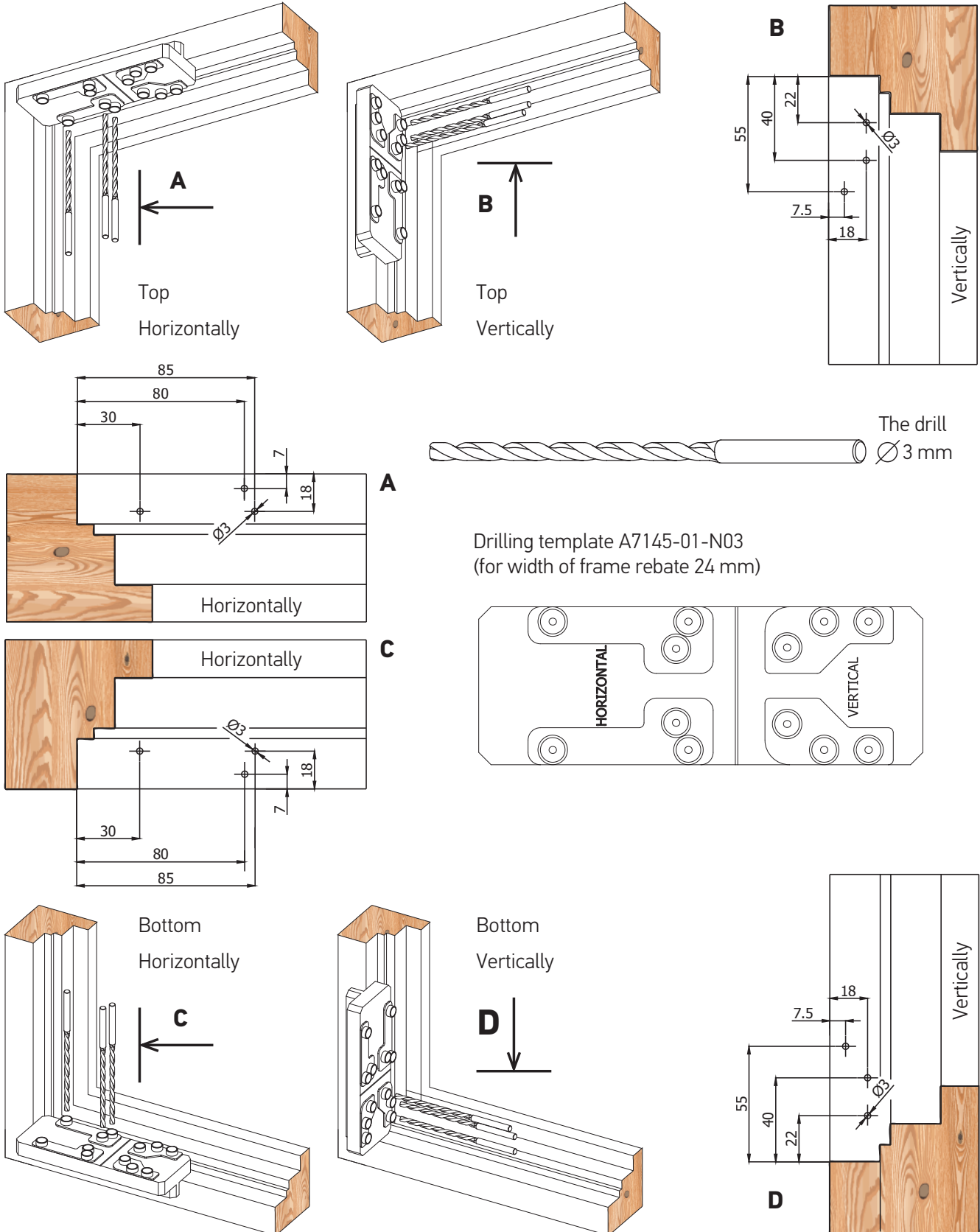
Drilling template A7145-02-N03



Drilling guidance

Tools / Installation / Adjustments

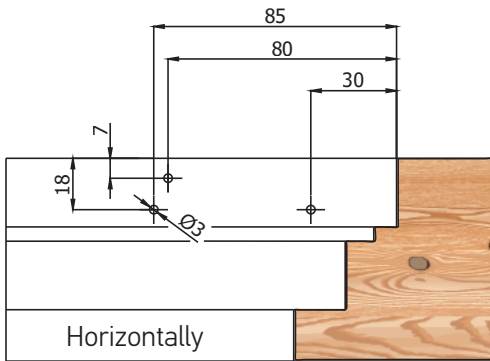
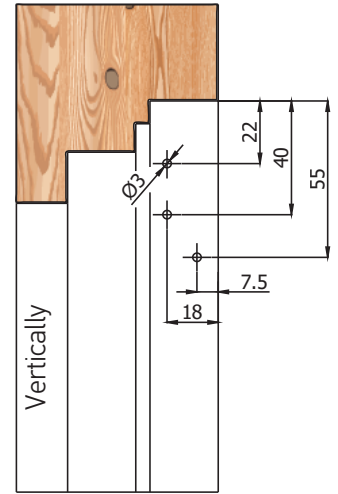
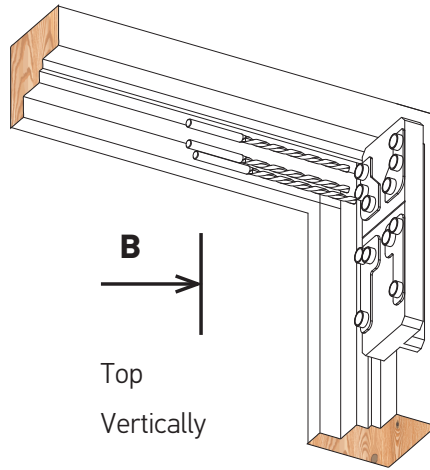
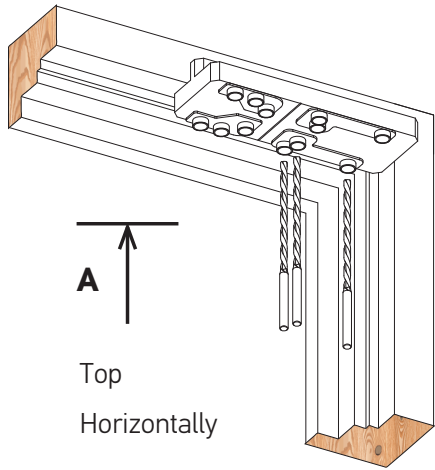
Drilling guidance for top and bottom hinges on a frame, on the left



Drilling guidance

Tools / Installation / Adjustments

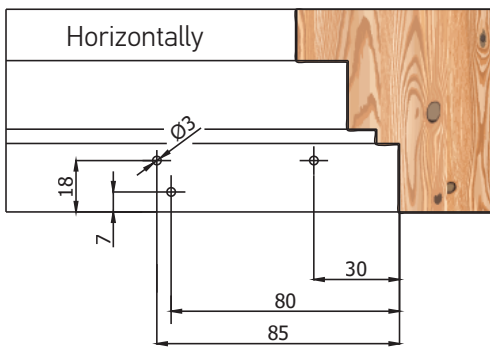
Drilling guidance for top and bottom hinges on a frame, on the right



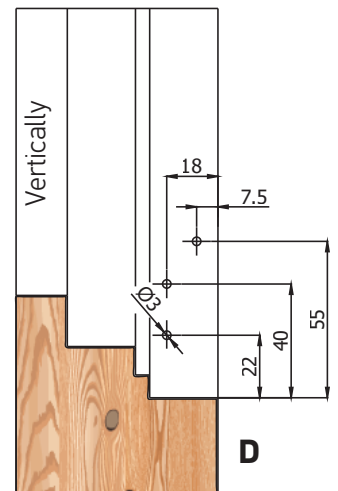
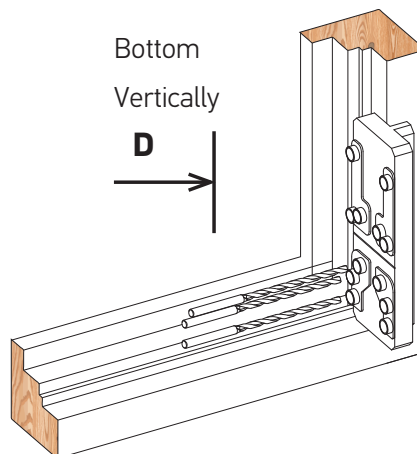
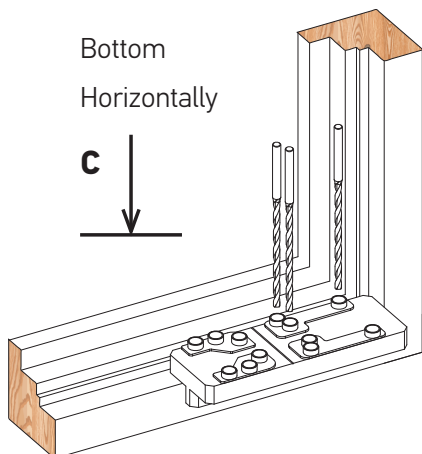
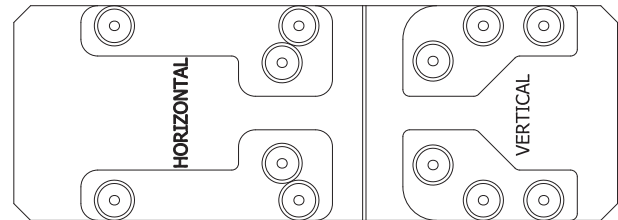
A



Drilling template A7145-01-N03
(for width of frame rebate 24 mm)



C



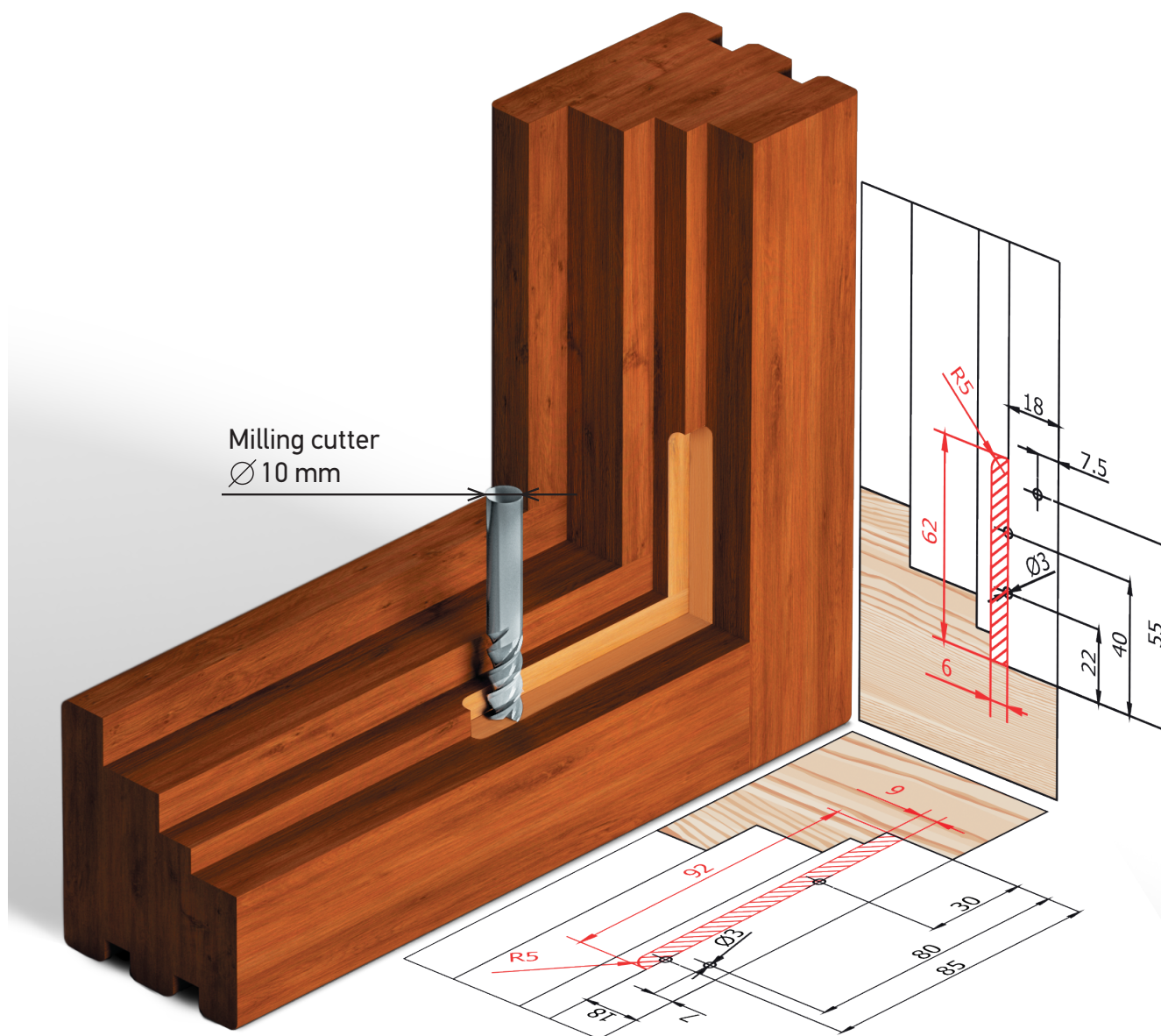
D

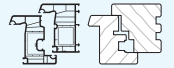


Guidance for the milling operation

Tools / Installation /
Adjustments

Guidance for the milling operation to the sash rebate 18mm, timber profiles

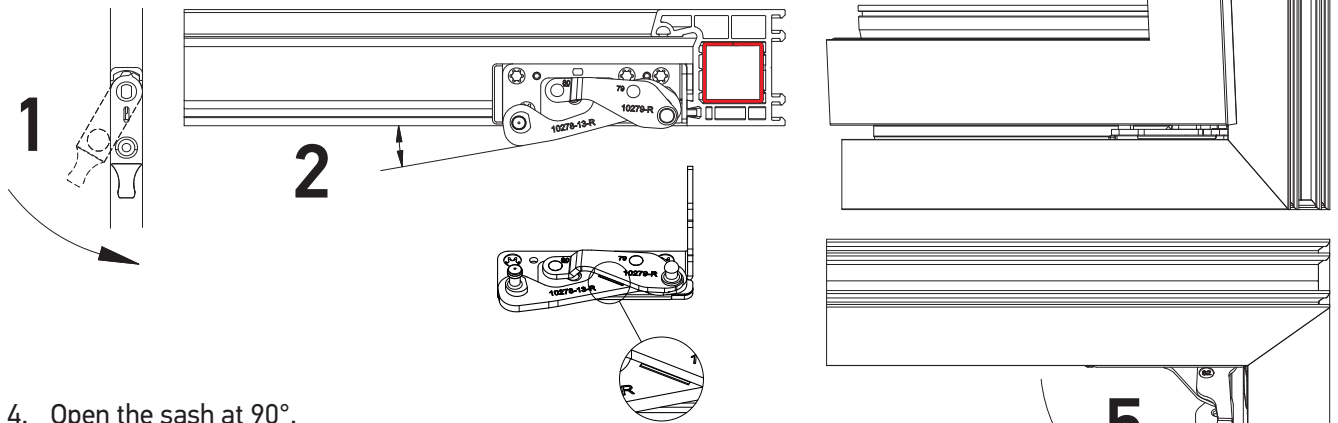




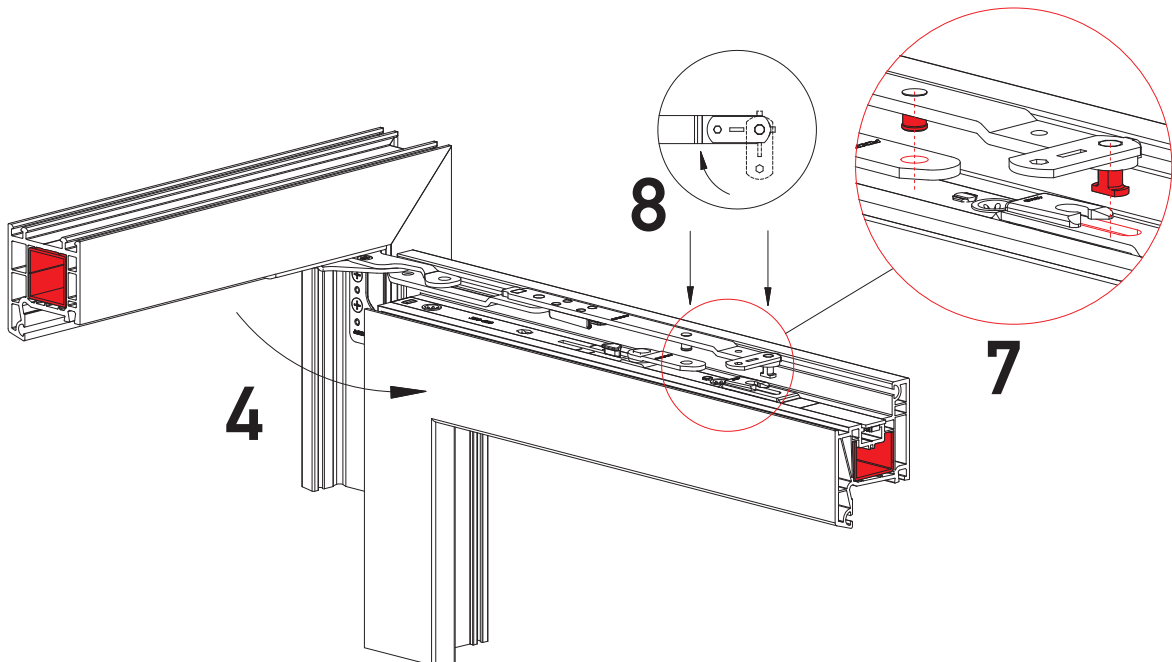
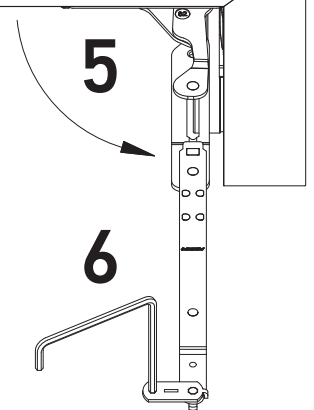
Sash's installation

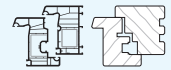
Tools / Installation / Adjustments

1. Move the wrong operation safety device to the "middle" position and turn a handle to the "tilt" position.
2. Open the concealed bottom hinge at an angle of $\approx 5-10^\circ$, until the mark coincides with the lever.
3. Slightly tilting a sash to install it on the concealed bottom hinge.



4. Open the sash at 90° .
5. Open the concealed stay arm.
6. Turn a locking plate using hex 4mm, until it stops.
7. Connect the concealed stay arm with the concealed stay arm connecting plate and close the locking plate.
8. Block the locking plate on the stay arm.
9. Rotate the handle into the turn position
10. Turn the wrong operation safety device according to direction of opening
11. Close the sash.

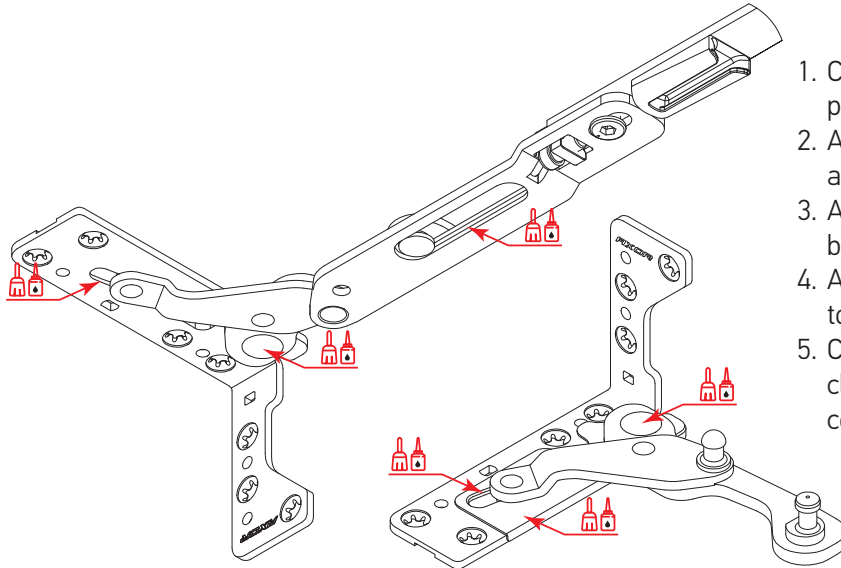




Care of hardware Adjustments

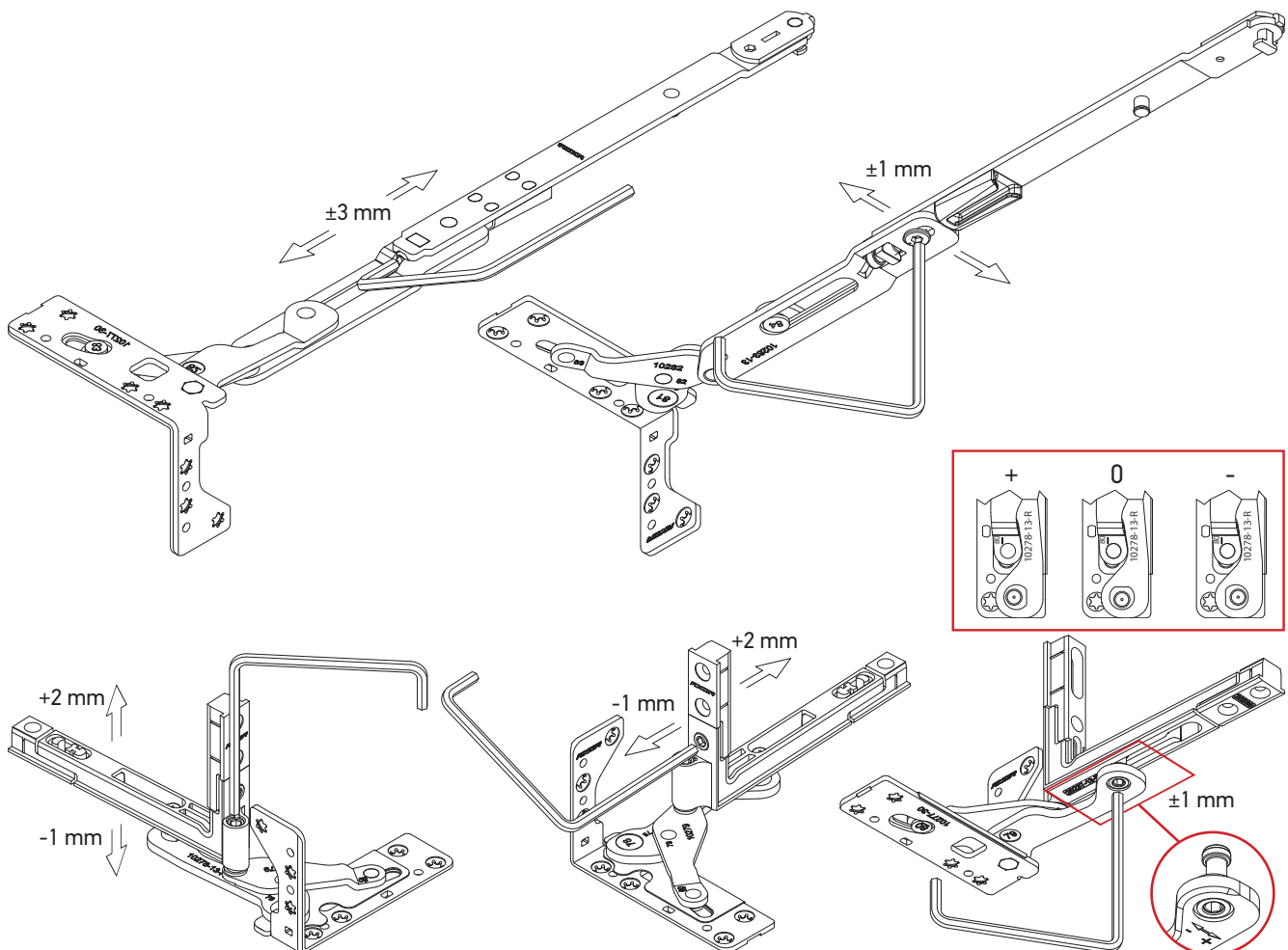
Tools / Installation /
Adjustments

For reliable and long-term working of window hardware it is necessary to adhere to simple rules of operation:



1. Carry out cleaning of hardware with pH-neutral means
2. Avoid mechanical damage to elements and their surface
3. Avoid contact of window hardware with building materials
4. Avoid exposure of aggressive acid vapors to window hardware
5. Carry out regularly (1 time per year) cleaning and lubrication of all major components of hardware

Adjustments



AXORTM

ELITE +

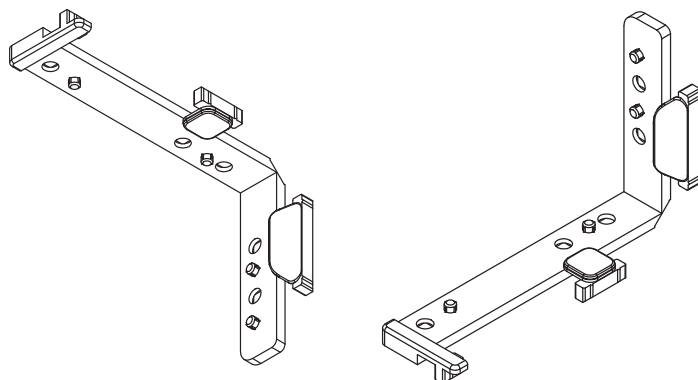
Profile-dependent elements

AXOR



Concealed hinge packer

Profile-dependent
elements



Description	Part No.
Concealed hinge packer, WDS, VEKA, 13 mm, left / right	A7120-13-L/R03
Concealed hinge packer, EUROCELL LOGIC 70 OVALO, 13 mm, left / right	A7121-13-L/R03
Concealed hinge packer, LINIAR, 13 mm, left / right	A7122-13-L/R03
Concealed hinge packer, WINTECH, 13 mm, left / right	A7123-13-L/R03
Concealed hinge packer, REHAU, 13 mm, left / right	A7124-13-L/R03
Concealed hinge packer, ALUPLAST 2000, 13 mm, left / right	A7125-13-L/R03
Concealed hinge packer, KBE, left / right	A7126-00-L/R03
Concealed hinge packer, ALUPLAST 4000, 13 mm, left / right	A7127-13-L/R03
Concealed hinge packer, DECEUNINCK, 13 mm, left / right	A7128-13-L/R03
Concealed hinge packer, GEALAN S8000, 13 mm, left / right	A7154-13-L/R03
Concealed hinge packer, SALAMANDER 3D, 13 mm, left / right	A7155-13-L/R03
Concealed hinge packer, DECEUNINCK ZENDOW/LEGEND, 13 mm, left / right	A7156-13-L/R03
Concealed hinge packer, SALAMANDER bluEvolution, 13 mm, left / right	A7157-13-L/R03



AXOR INDUSTRY
32, Pratsi Avenue,
Dnipro, 49041, Ukraine
www.axorindustry.com