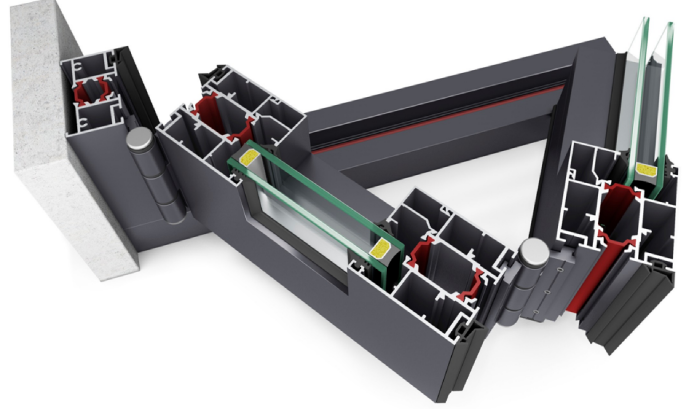
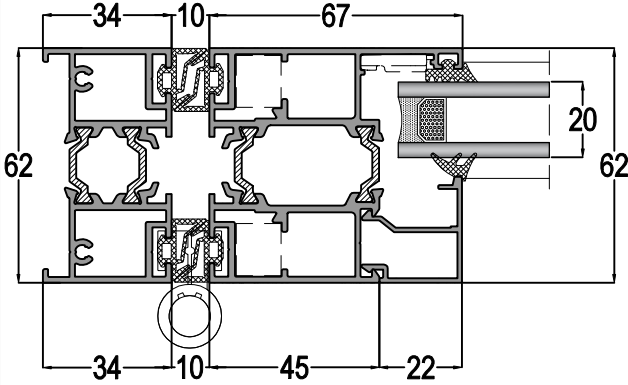


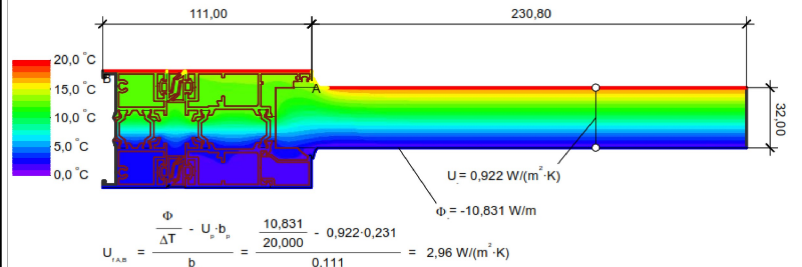
# FDT62

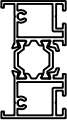

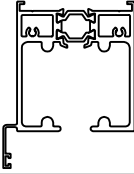
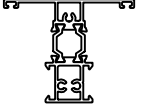
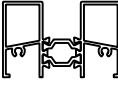
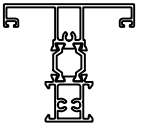
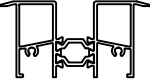
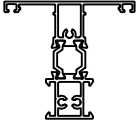
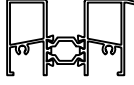

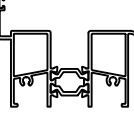
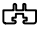
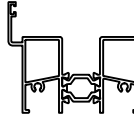

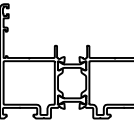

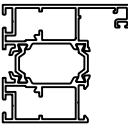
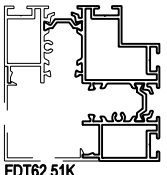
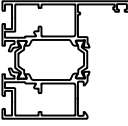
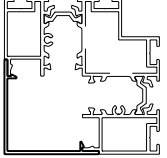
YALITIMLI KATLANIR KAPI SİSTEMİ  
THERMAL FOLDING DOOR SYSTEM



- İç bini, dış bini fitili sayesinde maksimum hava ve su performansı / Inner gasket, outer gasket and gasket for open joint maximum air and water performance
- Diğer sistemler ile ortak cam çitası kullanımı / Use of common glazing bead compatible with other systems
- Diğer sistemler ile de uyumlu ortak pres köşe ve pimli bağlantı kullanımı / Use of common press corners and pin connections compatible with other systems
- Kolay montaj / Easy installation
- Düz kanat tasarımı ile görsel sunum zenginliği / Visual presentation with flat sash design
- Isı Geçirgenlik Katsayısı: Kasa - Kanat (Uf)=2,96 W/m<sup>2</sup>K / Heat transmissions coefficient

KASA GENİŞLİĞİ	: 62 mm
Frame width	
SİSTEM ET KALINLIĞI	: 1,5-1,6 mm
System wall tickness	
ISI BARIYERİ	: 20 mm
Insulation barrier	
CAM KALINLIĞI	: 4-40 mm
Glass thickness	
AKSESUAR SEÇİMİ	: Sisteme Özgü Özel ithal Aksesuar
Sash width	: Special Accessory Suitable for the System
•	
AÇILIM TİPLERİ	: 3+0 - 2+1=3 - 3+1=4 - 5+0 - 4+1=5 5+1=6 - 3+3=6 - 6+1=7 - 7+0 - 7+1=8
Köşe Dönüş	: (90°) 3+1 - 3+3 - 5+1 - 5+3
Opening types	: 3+0 - 2+1=3 - 3+1=4 - 5+0 - 4+1=5 5+1=6 - 3+3=6 - 6+1=7 - 7+0 - 7+1=8
Corner Turn	: (90°) 3+1 - 3+3 - 5+1 - 5+3



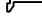




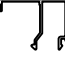
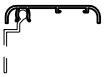


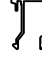










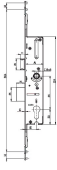

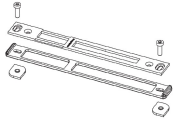

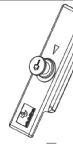

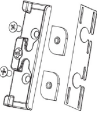

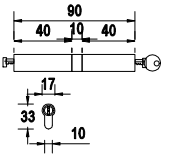


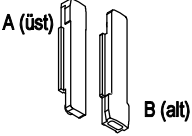
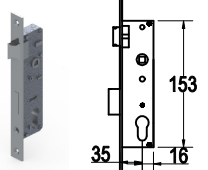


<b>FDT62 01</b>			<b>FDT62 45</b>		
DİKEY KASA PROFİLİ VERTICAL FRAME PROFILE	AĞIRLIK / Weight 1,380 kg/mt		ÇİFT KANAT ADAPTÖR PROFİLİ DOUBLE SASH ADAPTER PROFILE	AĞIRLIK / Weight 0,214 kg/mt	
<b>FDT62 02</b>			<b>FDT62 21</b>		
ÜST RAY PROFİLİ UPPER DRIVER PROFILE	AĞIRLIK / Weight 2,640 kg/mt		KANAT İÇİ ORTA KAYIT PROFİLİ MULLION/TRANSOM PROFILE FOR SASH PROFILE	AĞIRLIK / Weight 1,290 kg/mt	
<b>FDT62 03</b>			<b>FDT62 22</b>		
ALT RAY PROFİLİ LOWER DRIVER PROFILE	AĞIRLIK / Weight 1,314 kg/mt		KANAT İÇİ ORTA KAYIT PROFİLİ MULLION/TRANSOM PROFILE FOR SASH PROFILE	AĞIRLIK / Weight 1,455 kg/mt	
<b>FDT62 04</b>			<b>FDT62 23</b>		
ALT RAY PROFİLİ LOWER DRIVER PROFILE	AĞIRLIK / Weight 1,378 kg/mt		KANAT İÇİ ORTA KAYIT PROFİLİ - FDT62 12 İÇİN MULLION/TRANSOM PROFILE FOR SASH PROFILE	AĞIRLIK / Weight 1,373 kg/mt	
<b>FDT62 05</b>			<b>FDT62 41</b>		
ALT RAY PROFİLİ LOWER DRIVER PROFILE	AĞIRLIK / Weight 1,346 kg/mt		ADAPTÖR PROFİLİ ADAPTER PROFILE	AĞIRLIK / Weight 0,190 kg/mt	
<b>FDT62 06</b>			<b>FDT62 42</b>		
ALT RAY PROFİLİ LOWER DRIVER PROFILE	AĞIRLIK / Weight 1,465 kg/mt		KİL FİTİL ADAPTÖR PROFİLİ BRUSH ADAPTER PROFILE	AĞIRLIK / Weight 0,278 kg/mt	
<b>FDT62 07</b>			<b>FDT62 43</b>		
ALT RAY PROFİLİ LOWER DRIVER PROFILE	AĞIRLIK / Weight 1,433 kg/mt		KAPI ADAPTÖR PROFİLİ DOOR ADAPTER PROFILE	AĞIRLIK / Weight 0,310 kg/mt	
<b>FDT62 08</b>			<b>FDT62 44</b>		
ÜST RAY ADAPTÖR PROFİLİ TOP RAIL ADAPTER PROFILE	AĞIRLIK / Weight 1,789 kg/mt		KAPI ADAPTÖR PROFİLİ DOOR ADAPTER PROFILE	AĞIRLIK / Weight 0,226 kg/mt	
<b>FDT62 11</b>			<b>FDT62 51</b>		
KANAT PROFİLİ SASH PROFILE	AĞIRLIK / Weight 1,844 kg/mt		90° KÖŞE PROFİLİ 90° CORNER PROFILE	AĞIRLIK / Weight 3,184 kg/mt	
<b>FDT62 12</b>			<b>FDT62 51K</b>		
KANAT PROFİLİ SASH PROFILE	AĞIRLIK / Weight 1,791 kg/mt		90° KÖŞE KAPAK PROFİLİ 90° CORNER COVER PROFILE	AĞIRLIK / Weight 0,460 kg/mt	

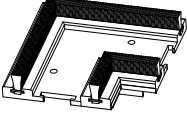
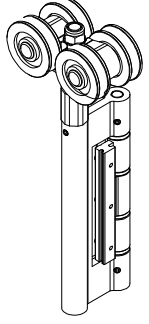

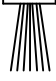
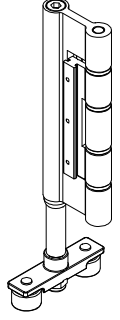
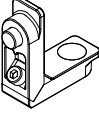
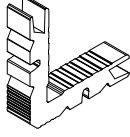
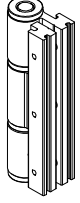
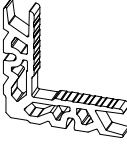
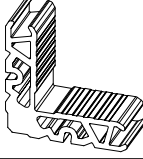
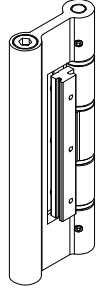

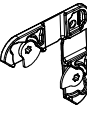
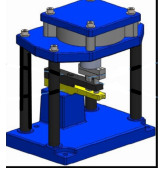
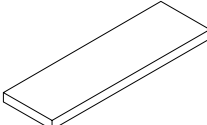
\* Sipariş öncesi kalıp bilgisi kontrol edilmeli / must be check profile production before the order

Profil ağırlıklarımız teorik olup; teslim anındaki tartımız geçerlidir.

## PROFİL LİSTESİ - PROFILE LISTS

12-41			11-028		
TİJ PROFİLİ CONNECTING ROD	AĞIRLIK / Weight 0,118 kg/mt		CAM ÇİTASI-28 mm GLAZING BEAD PROFILE	AĞIRLIK / Weight 0,302 kg/mt	
12-62			11-030		
TİJ PROFİLİ CONNECTING ROD	AĞIRLIK / Weight 0,191 kg/mt		CAM ÇİTASI-30 mm GLAZING BEAD PROFILE	AĞIRLIK / Weight 0,308 kg/mt	
11-004			11-032		
CAM ÇİTASI-4 mm GLAZING BEAD PROFILE	AĞIRLIK / Weight 0,181 kg/mt		CAM ÇİTASI-32 mm GLAZING BEAD PROFILE	AĞIRLIK / Weight 0,315 kg/mt	
11-106			11-035		
CAM ÇİTASI-6 mm GLAZING BEAD PROFILE	AĞIRLIK / Weight 0,202 kg/mt		CAM ÇİTASI-35 mm GLAZING BEAD PROFILE	AĞIRLIK / Weight 0,323 kg/mt	
11-010			11-038		
CAM ÇİTASI-10 mm GLAZING BEAD PROFILE	AĞIRLIK / Weight 0,233 kg/mt		CAM ÇİTASI-38 mm GLAZING BEAD PROFILE	AĞIRLIK / Weight 0,334 kg/mt	
11-015			12-52		
CAM ÇİTASI-15 mm GLAZING BEAD PROFILE	AĞIRLIK / Weight 0,242 kg/mt		PERVAZ PROFİLİ BORDER PROFILE	AĞIRLIK / Weight 0,279 kg/mt	
11-017			12-53		
CAM ÇİTASI-17 mm GLAZING BEAD PROFILE	AĞIRLIK / Weight 0,250 kg/mt		PERVAZ MONTAJ PROFİLİ BORDER FIXING PROFILE	AĞIRLIK / Weight 0,177 kg/mt	
11-020			12-54		
CAM ÇİTASI-20 mm GLAZING BEAD PROFILE	AĞIRLIK / Weight 0,276 kg/mt		PERVAZ PROFİLİ BORDER PROFILE	AĞIRLIK / Weight 0,326 kg/mt	
11-022			12-57		
CAM ÇİTASI-22 mm GLAZING BEAD PROFILE	AĞIRLIK / Weight 0,282 kg/mt		PERVAZ PROFİLİ BORDER PROFILE	AĞIRLIK / Weight 0,358 kg/mt	
11-026			10-010119-00		
CAM ÇİTASI-26 mm GLAZING BEAD PROFILE	AĞIRLIK / Weight 0,296 kg/mt		KÖŞE TAKOZU - 11,9mm CORNER JOINT PROFILE	AĞIRLIK / Weight 2,843 kg/mt	

EP1-01			FDA-K 01		
DIŞ CAM FITİLİ - 2,5 mm OUTER GLAZING GASKET	KOLİ MİKTARI/Package 240 mt / 15 kg		ÇİFT YÖNLÜ KİLİTLEME KOLU GEAR BOX-HANDLE	KOLİ MİKTARI/Package Adet / Piece	
KC 02			FDA-GB 01		
CAM FITİLİ - 2 mm GLAZING GASKET	KOLİ MİKTARI/Package 100 mt / 4,5 kg		ÇİFT YÖNLÜ KİLİTLEME GEAR BOX-TWO WAY	KOLİ MİKTARI/Package Adet / Piece	
EP2-01			ASI-LS 314890		
İÇ CAM FITİLİ - 3 mm INNER GLAZING GASKET	KOLİ MİKTARI/Package 440 mt / 15 kg		İSPANYOLET KİLİTLEME MULTIPOINT LOCK WITH KEY	KOLİ MİKTARI/Package Adet / Piece	
EP2-02			ASI-LS 301645		
İÇ CAM FITİLİ - 4 mm INNER GLAZING GASKET	KOLİ MİKTARI/Package 300 mt / 15 kg		İSPANYOLET KİLİT KARŞILIĞI LOCK STRIKES FOR MULTIPOINT LOCK	KOLİ MİKTARI/Package Adet / Piece	
EP2-03			ASI-RP 314750		
İÇ CAM FITİLİ - 5 mm INNER GLAZING GASKET	KOLİ MİKTARI/Package 250 mt / 15 kg		TİJ PİMİ ROD PROFILE LOCKING	KOLİ MİKTARI/Package Adet / Piece	
EP3-03			ASI-RS 311100		
KANAT BİNİ FITİLİ SASH GASKET	KOLİ MİKTARI/Package 430 mt / 15 kg		PİM KARŞILIK ROD PROFILE STRIKE	KOLİ MİKTARI/Package Adet / Piece	
EP62-01			ASI-BRL 90S		
ORTA BİNİ FITİLİ GASKET FOR OPEN JOINT	KOLİ MİKTARI/Package 150 mt / 15 kg		90 LİK SİMETRİK BAREL SYMETRIC CYLINDER 90	KOLİ MİKTARI/Package Adet / Piece	
EP62-02			ASI-DH 002		
KANAT BİNİ FITİLİ GASKET FOR FRAME	KOLİ MİKTARI/Package		KAPI KOLU DOOR HANDLE	KOLİ MİKTARI/Package Adet / Piece	
FDA-B 01			ASI-153 35		
SÜRGÜ KİLİTLEME FIXING BOLT	KOLİ MİKTARI/Package Takım / Set		DİLLİ KİLİT MORTISE LOCK WITH CYLINDER	KOLİ MİKTARI/Package Adet / Piece	
FDA-B 02			ASI-LS 90185D		
SÜRGÜ KİLİTLEME KOLU FIXING BOLT HANDLE	KOLİ MİKTARI/Package Adet / Piece		DİLLİ KİLİT KARŞILIĞI LOCK STRIKES	KOLİ MİKTARI/Package Adet / Piece	

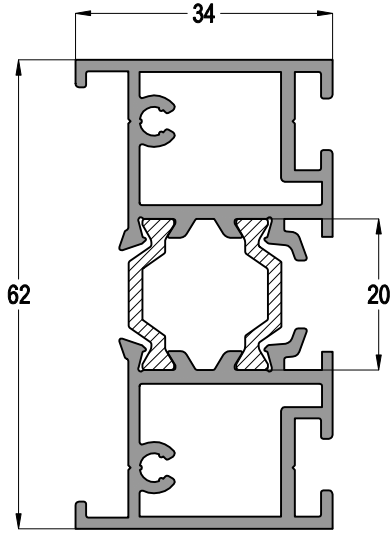
<b>FDA-B 03</b>			<b>FDA-H 001</b>		
<b>KÖŞE KAPAK</b> COVER FOR CORNER	KOLİ MİKTARI/Package Adet / Piece		<b>ÜST MENTEŞE</b> TOP HINGE	KOLİ MİKTARI/Package Adet / Piece	
<b>12-41P</b>					
<b>POLYAMİD TİJ PROFİLİ</b> POLYAMİDE CONNECTING ROD PROFILE - 19mm	KOLİ MİKTARI/Package 6mt / Adet				
<b>KF 67-700</b>			<b>FDA-H 002</b>		
<b>FİRÇA FİTİL - 7mm</b> BRUSH GASKET	KOLİ MİKTARI/Package 1100 mt		<b>ALT MENTEŞE</b> BOTTOM HINGE	KOLİ MİKTARI/Package Adet / Piece	
<b>ASI-PB 1214</b>					
<b>PİMLİ KÖŞE BAĞLANTI</b> CORNER JOINT	KOLİ MİKTARI/Package Adet / Piece				
<b>ASI-KT 1214</b>			<b>FDA-H 003</b>		
<b>KÖŞE TAKOZU</b> CORNER JOINT	KOLİ MİKTARI/Package Adet / Piece		<b>ARA MENTEŞE</b> STANDART HINGE	KOLİ MİKTARI/Package Adet / Piece	
<b>ASI-KT 1606</b>					
<b>KÖŞE TAKOZU</b> CORNER JOINT	KOLİ MİKTARI/Package Adet / Piece				
<b>ASI-KT 1819</b>			<b>FDA-H 004</b>		
<b>KÖŞE TAKOZU</b> CORNER JOINT	KOLİ MİKTARI/Package Adet / Piece		<b>ÇEKME KOL</b> PULL HANDLE	KOLİ MİKTARI/Package Adet / Piece	
<b>ASI-FUJI 2000</b>					
<b>AYARLI KÖŞE GÖNYESİ</b> CORNER ALIGNMENT	KOLİ MİKTARI/Package 200 Adet / Piece				
<b>ASI-FUJI 2500</b>			<b>PNC-FDT62 (Pnömatik)</b>		
<b>AYARLI ORTA KAYIT BAĞLANTI</b> T JOINT CONNECTION	KOLİ MİKTARI/Package Adet / Piece		<b>PİMLİ BAĞLANTI PANÇ MAKİNESİ</b> PUNCH MACHINE FOR CORNER JOINT WITH BUTTON	KOLİ MİKTARI/Package Adet / Piece	
<b>FDA-M 01</b>					
<b>ÜST KASA MONTAJ PARÇASI</b> FRAME FIXED PART	KOLİ MİKTARI/Package Adet / Piece				

**PROFİL DETAYLARI**  
*PROFILE DETAILS*

# FDT62

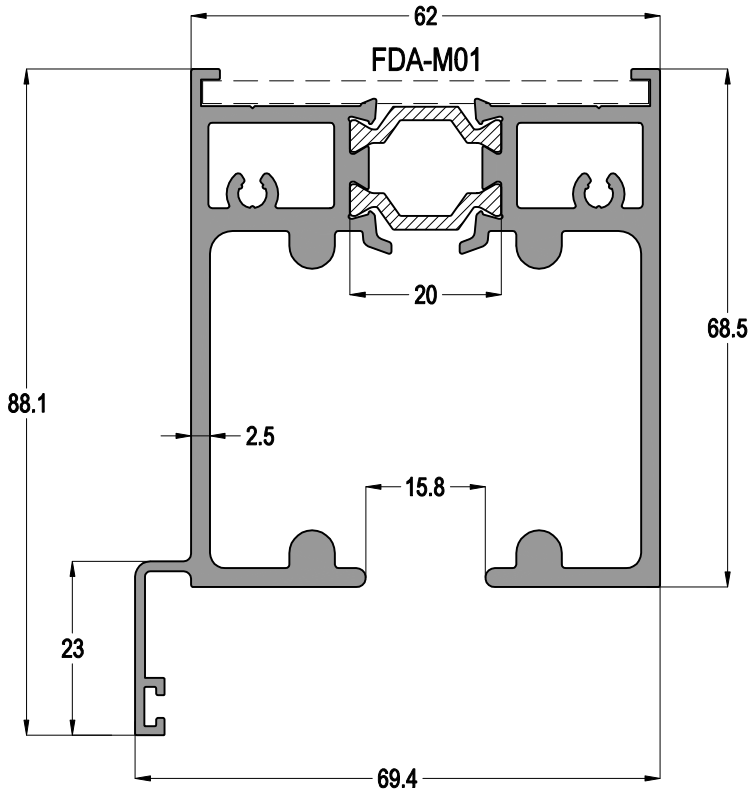
YALITIMLI KATLANIR KAPI SİSTEMİ  
THERMAL FOLDING DOOR SYSTEM

**ASISTAL**

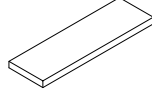


## FDT62 01

FDT62 01	
	AĞIRLIK / Weight
	1,380 kg/mt



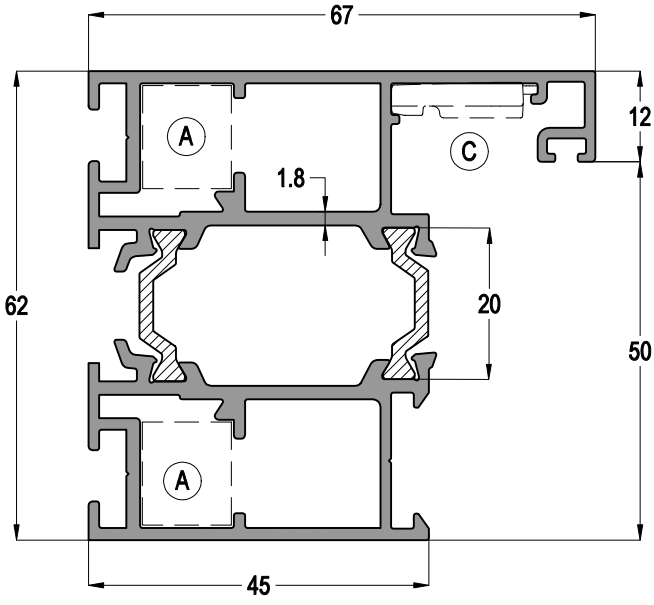
## FDT62 02

FDT62 02	
	AĞIRLIK / Weight
FDA-M01	2,640 kg/mt

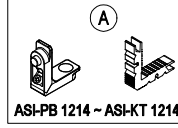
# FDT62

YALITIMLI KATLANIR KAPI SİSTEMİ  
THERMAL FOLDING DOOR SYSTEM

**ASISTAL**

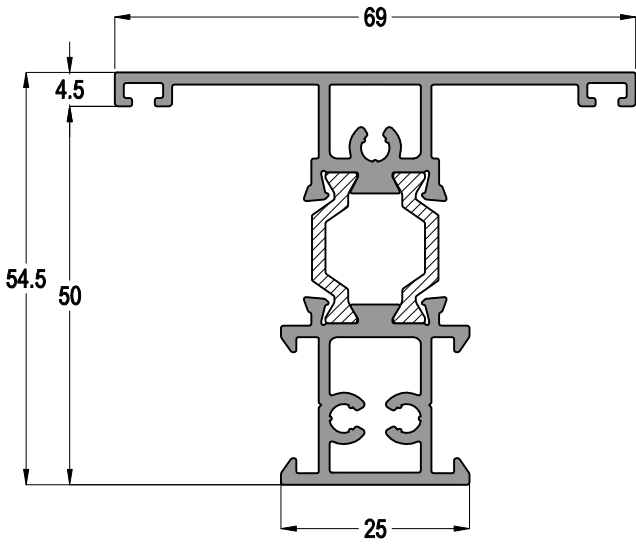


## FDT62 11



AĞIRLIK / Weight

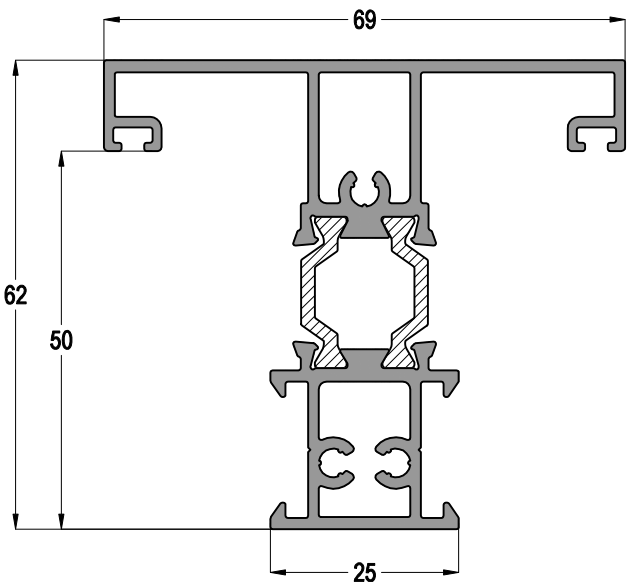
1,844 kg/mt



## FDT62 21

AĞIRLIK / Weight

1,290 kg/mt



## FDT62 22

AĞIRLIK / Weight

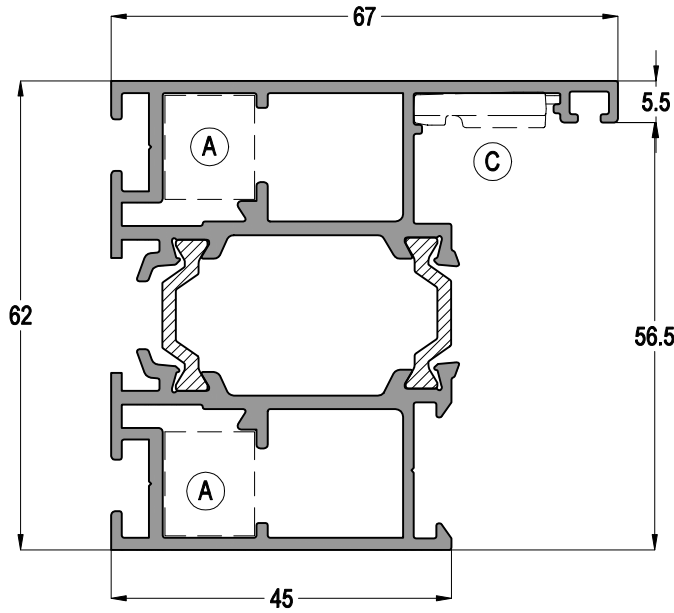
1,455 kg/mt





# FDT62

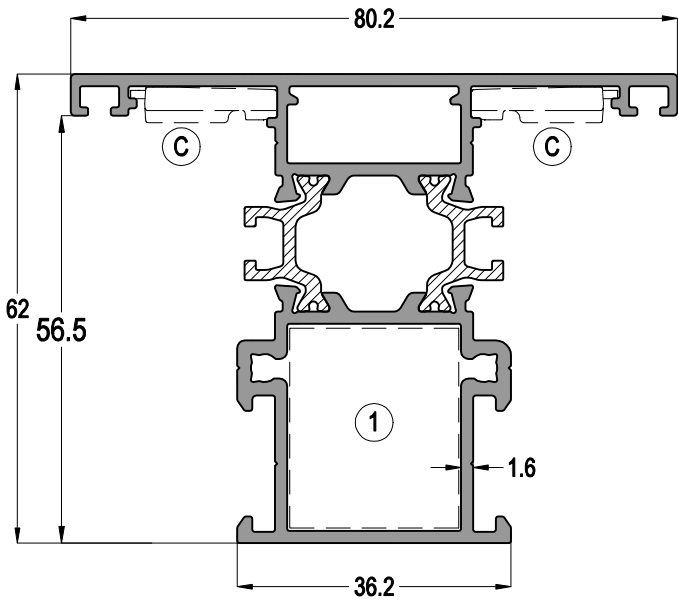
YALITIMLI KATLANIR KAPI SİSTEMİ  
THERMAL FOLDING DOOR SYSTEM

ASISTAL


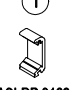


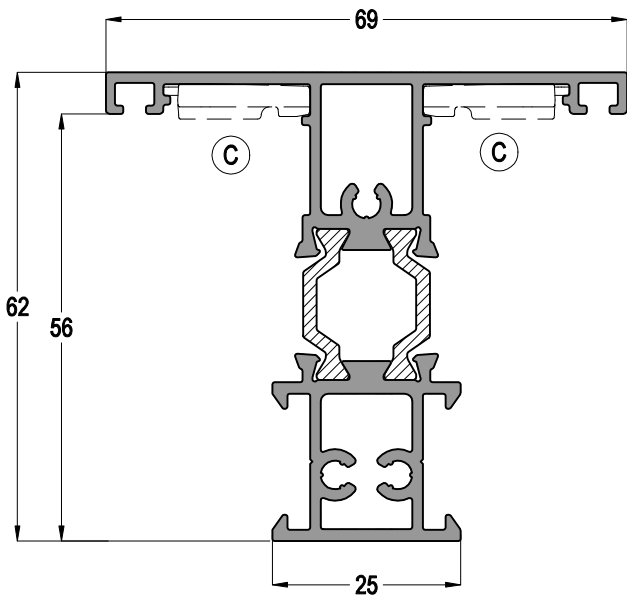
## FDT62 12

		AĞIRLIK / Weight
		1,791 kg/mt




## TH62 162

	Jx cm <sup>4</sup>	Jy cm <sup>4</sup>
	25,51	16,76
		AĞIRLIK / Weight
		1,591 kg/mt



## FDT62 23

	AĞIRLIK / Weight
	1,373 kg/mt

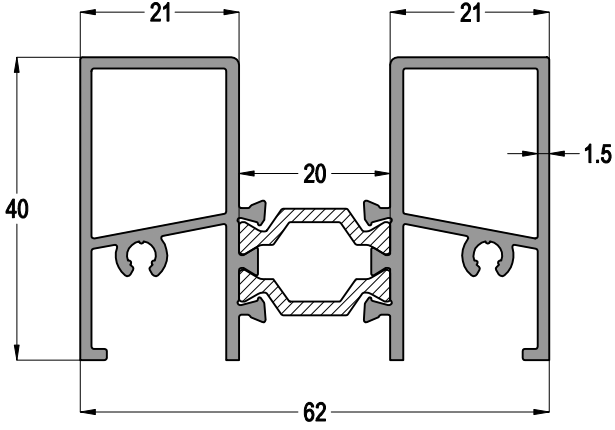
⚠ Sipariş öncesi kalıp bilgisi kontrol edilmeli  
must be check profile production before the order

Profil ağırlıklarımız teorik olup; teslim anındaki tartımız geçerlidir.

# FDT62

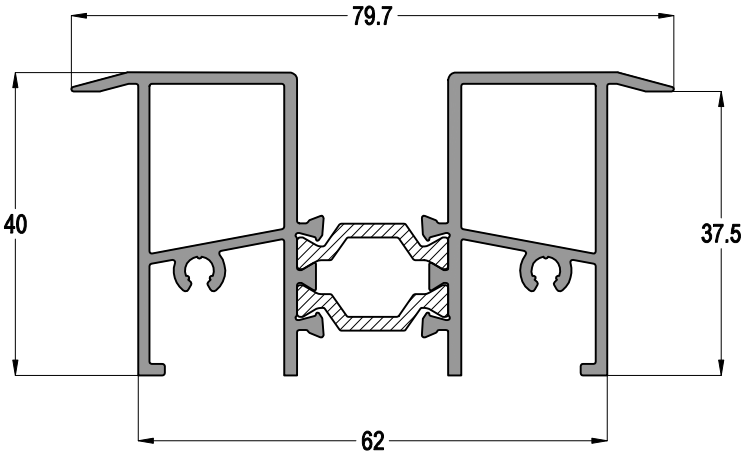
YALITIMLI KATLANIR KAPI SİSTEMİ  
THERMAL FOLDING DOOR SYSTEM

**ASISTAL**



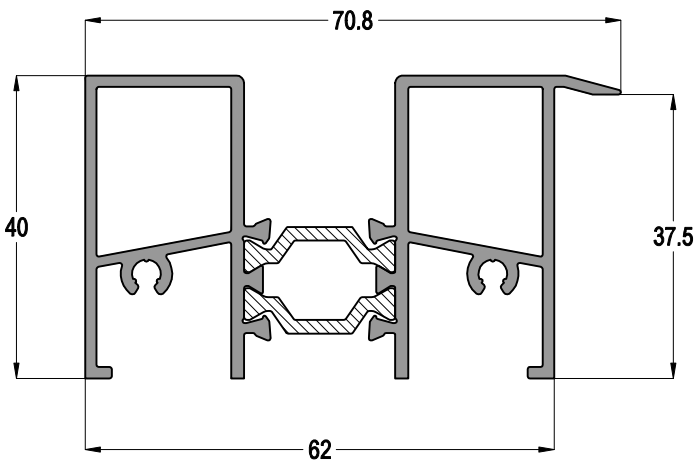
## FDT62 03

FDT62 03	
	AĞIRLIK / Weight
	1,314 kg/mt



## FDT62 04

FDT62 04	
	AĞIRLIK / Weight
	1,378 kg/mt



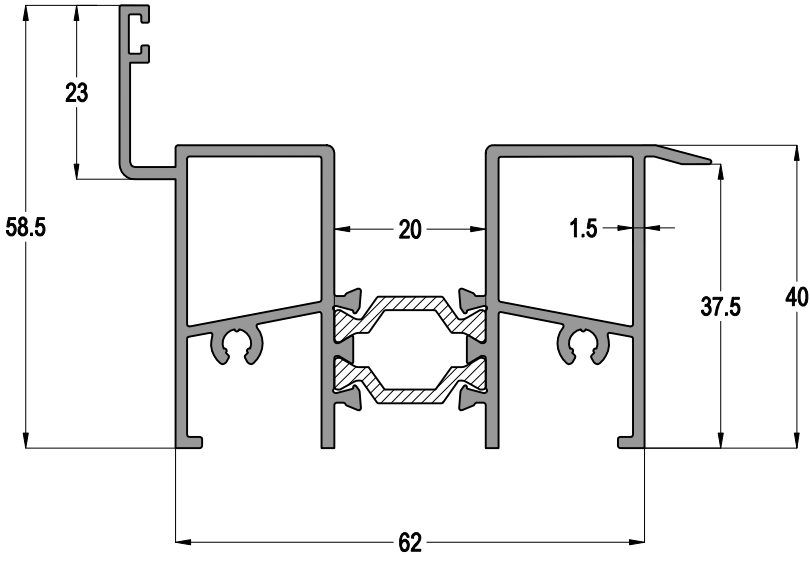
## FDT62 05

FDT62 05	
	AĞIRLIK / Weight
	1,346 kg/mt

# FDT62

YALITIMLI KATLANIR KAPI SİSTEMİ  
THERMAL FOLDING DOOR SYSTEM

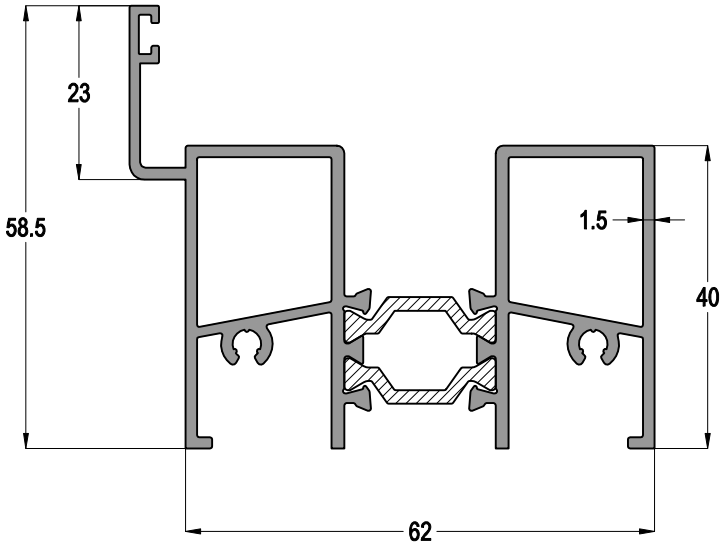
## ASISTAL



### FDT62 06

AĞIRLIK / Weight

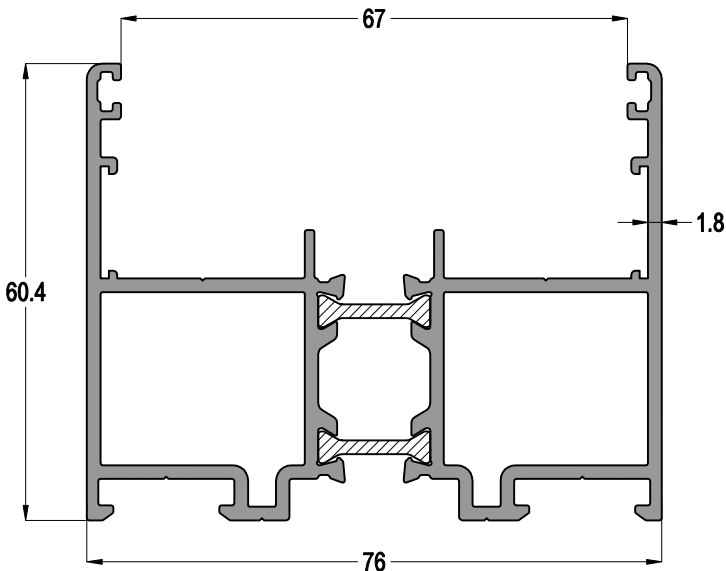
1,465 kg/mt



### FDT62 07

AĞIRLIK / Weight

1,433 kg/mt



### FDT62 08

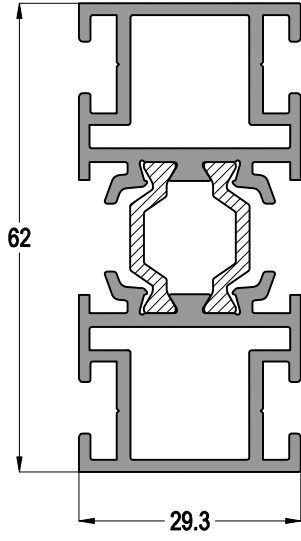
AĞIRLIK / Weight

1,789 kg/mt

# FDT62

YALITIMLI KATLANIR KAPI SİSTEMİ  
THERMAL FOLDING DOOR SYSTEM

ASISTAL



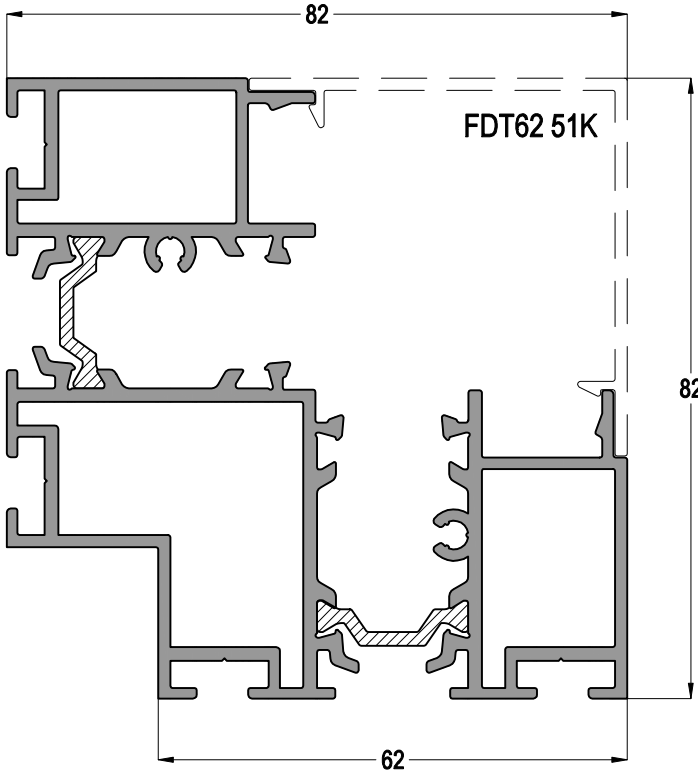
## FDT62 45



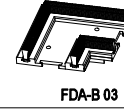
AĞIRLIK / Weight

1,423 kg/mt

⊗ Sipariş öncesi kalıp bilgisi kontrol edilmeli  
must be check profile mold before the order



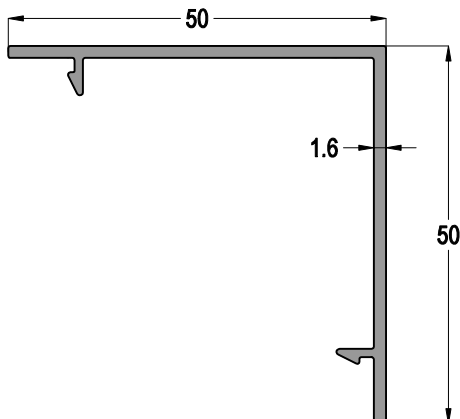
## FDT62 51



FDA-B 03

AĞIRLIK / Weight

3,184 kg/mt



## FDT62 51K

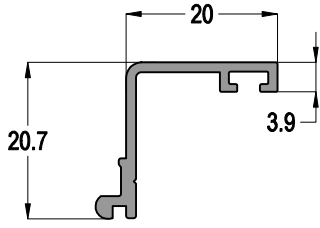
AĞIRLIK / Weight

0,460 kg/mt

# FDT62

YALITIMLI KATLANIR KAPI SİSTEMİ  
THERMAL FOLDING DOOR SYSTEM

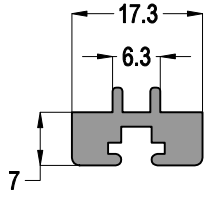
# ASISTAL



## FDT62 41

AĞIRLIK / Weight

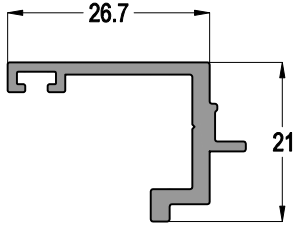
0,190 kg/mt



## FDT62 42

AĞIRLIK / Weight

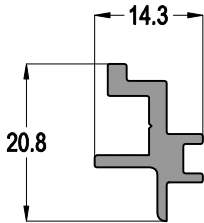
0,278 kg/mt



## FDT62 43

AĞIRLIK / Weight

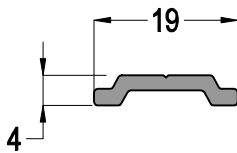
0,310 kg/mt



## FDT62 44

AĞIRLIK / Weight

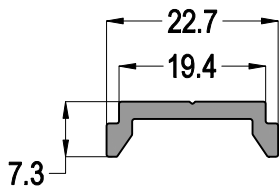
0,202 kg/mt



## 12-41 ( mat siyah )

AĞIRLIK / Weight

0,118 kg/mt

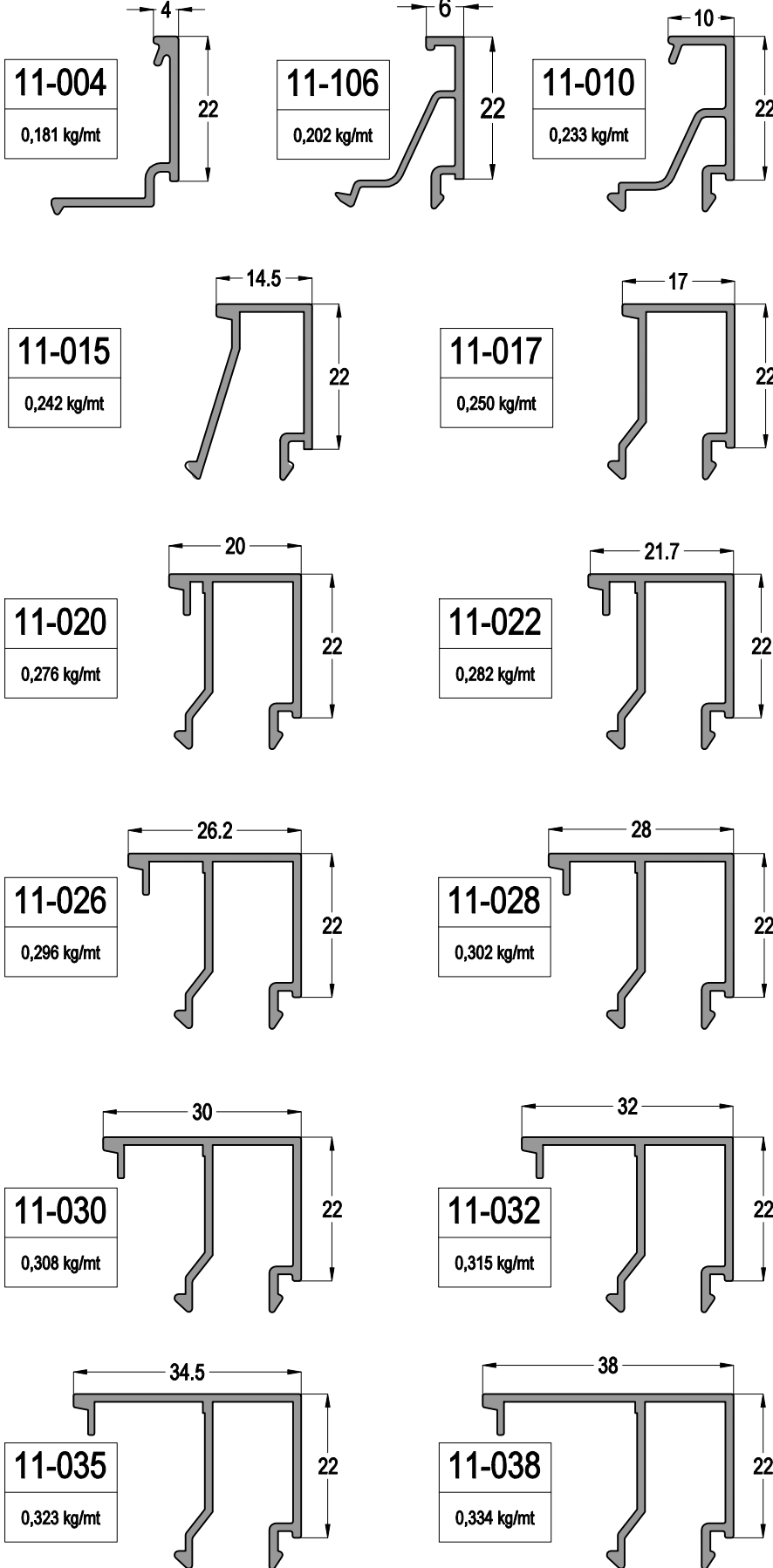


## 12-62 ( mat siyah )

AĞIRLIK / Weight

0,191 kg/mt

### FDT62 11 NOLU KANAT İÇİN CAM ÇİTASI SEÇİMİ GLAZING BEAD FOR FDT62 11



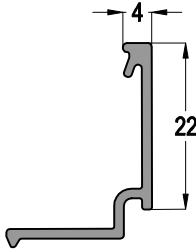
CAM KALINLIĞINA GÖRE CAM ÇİTASI SEÇİM TABLOSU  
Glazing Bead Selection Table according to the Glass Thickness

CAM KALINLIĞI Glass Thickness (mm)	CAM ÇİTASI Glazing Bead	İÇ CAM FİTİLİ Glass Gasket (IN)	DIŞ CAM FİTİLİ Glass Gasket (OUT)
4	11-038	EP2-02	EP1-01
5	11-038	EP2-01	EP1-01
6	11-035	EP2-03	EP1-01
7	11-035	EP2-02	EP1-01
8	11-035	EP2-01	EP1-01
10	11-032	EP2-02	EP1-01
11	11-032	EP2-01	EP1-01
12	11-030	EP2-02	EP1-01
13	11-030	EP2-01	EP1-01
14	11-028	EP2-02	EP1-01
15	11-028	EP2-01	EP1-01
16	11-026	EP2-02	EP1-01
17	11-026	EP2-01	EP1-01
18	11-026	KC-02	EP1-01
20	11-022	EP2-02	EP1-01
21	11-022	EP2-01	EP1-01
22	11-020	EP2-02	EP1-01
23	11-020	EP2-01	EP1-01
24	11-017	EP2-03	EP1-01
26	11-017	EP2-01	EP1-01
27	11-017	KC-02	EP1-01
28	11-015	EP2-01	EP1-01
29	11-015	KC-02	EP1-01
32	11-010	EP2-02	EP1-01
33	11-010	EP2-01	EP1-01
34	11-010	KC-02	EP1-01
36	11-106	EP2-02	EP1-01
37	11-106	EP2-01	EP1-01
38	11-106	KC-02	EP1-01
40	11-004	KC-02	EP1-01

### FDT62 12 NOLU KANAT İÇİN CAM ÇİTASI SEÇİMİ GLAZING BEAD FOR FDT62 12

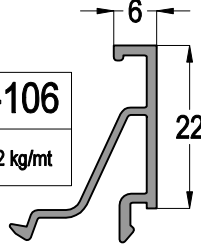
**11-004**

0,181 kg/mt



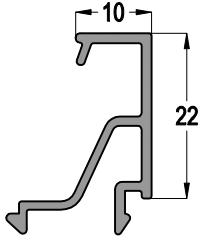
**11-106**

0,202 kg/mt



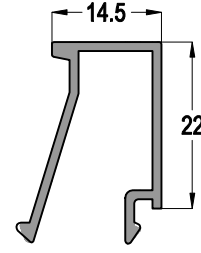
**11-010**

0,233 kg/mt



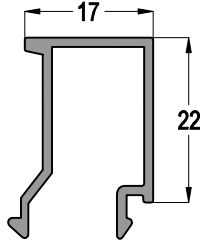
**11-015**

0,242 kg/mt



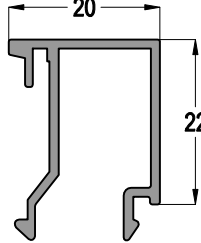
**11-017**

0,250 kg/mt



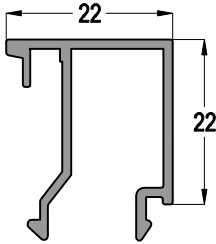
**11-020**

0,276 kg/mt



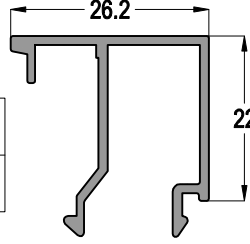
**11-022**

0,282 kg/mt



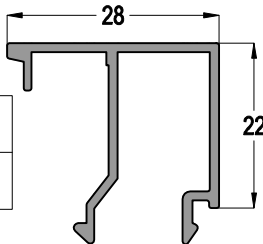
**11-026**

0,296 kg/mt



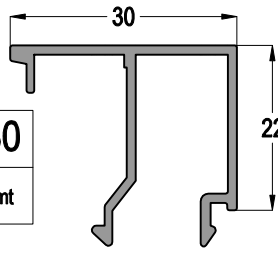
**11-028**

0,302 kg/mt



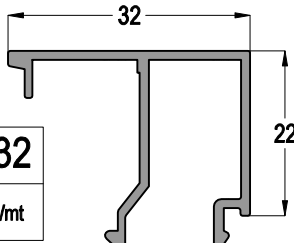
**11-030**

0,308 kg/mt



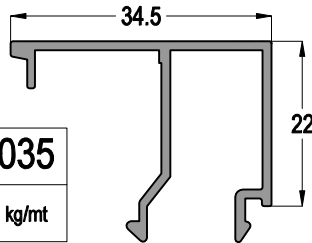
**11-032**

0,315 kg/mt



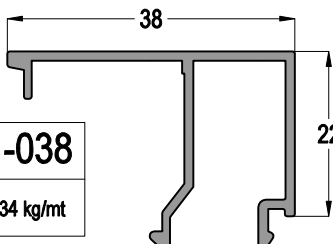
**11-035**

0,323 kg/mt



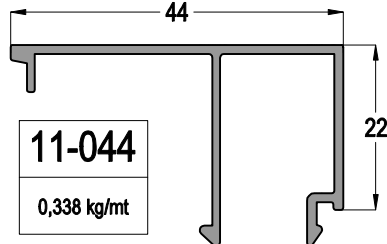
**11-038**

0,334 kg/mt



**11-044**

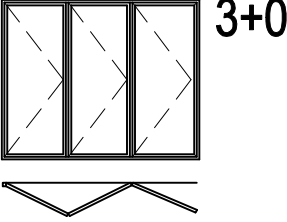
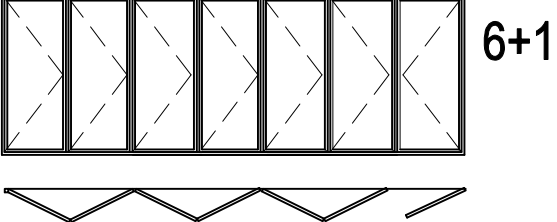
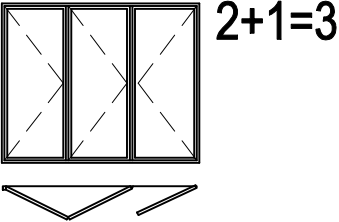
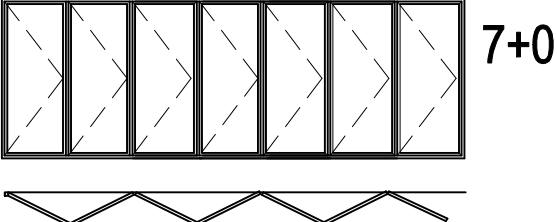
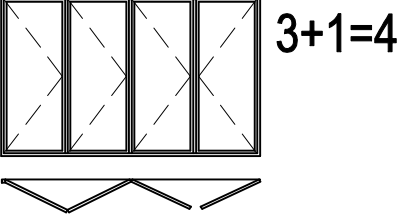
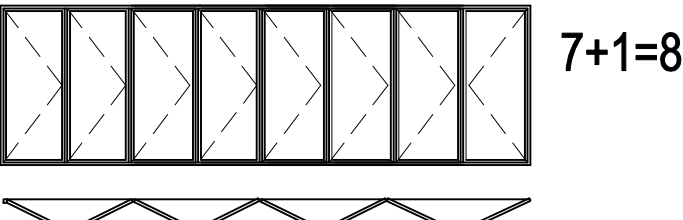
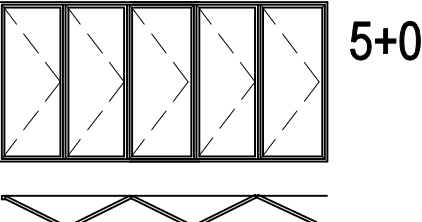
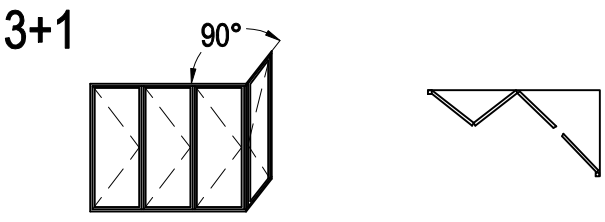
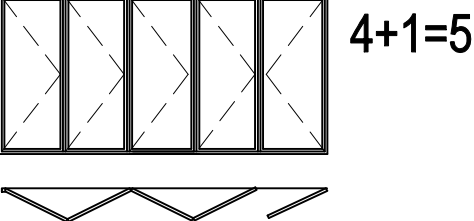
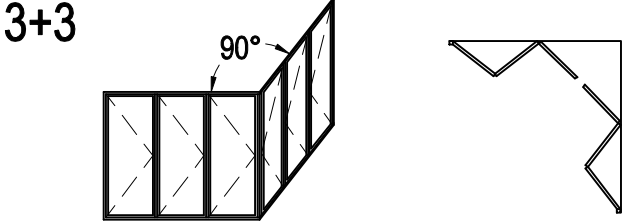
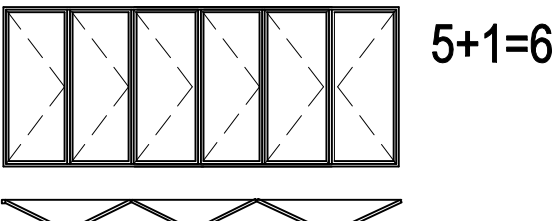
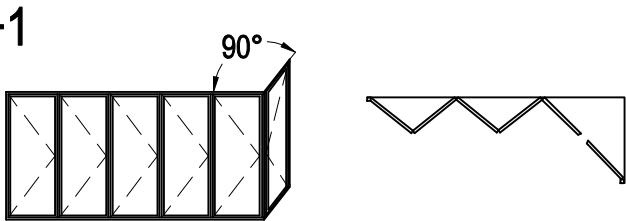
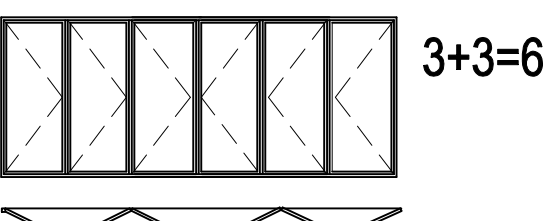
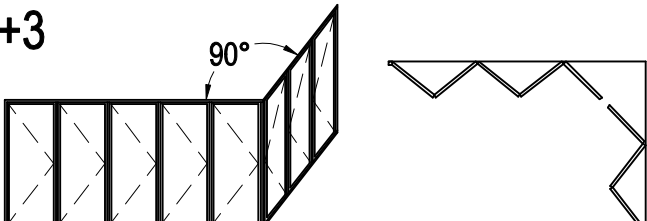
0,338 kg/mt



#### CAM KALINLIĞINA GÖRE CAM ÇİTASI SEÇİM TABLOSU Glazing Bead Selection Table according to the Glass Thickness

CAM KALINLIĞI Glass Thickness (mm)	CAM ÇİTASI Glazing Bead	İÇ CAM FITİLİ Glass Gasket (IN)	DIŞ CAM FITİLİ Glass Gasket (OUT)
4	11-044	EP2-03	EP1-01
5	11-044	EP2-02	EP1-01
6	11-044	EP1-01	EP1-01
10	11-038	EP2-02	EP1-01
11	11-038	EP2-01	EP1-01
12	11-035	EP2-03	EP1-01
13	11-035	EP2-02	EP1-01
14	11-035	EP2-01	EP1-01
16	11-032	EP2-02	EP1-01
17	11-032	EP2-01	EP1-01
18	11-030	EP2-03	EP1-01
19	11-030	EP2-02	EP1-01
20	11-028	EP2-03	EP1-01
21	11-028	EP2-02	EP1-01
22	11-026	EP2-03	EP1-01
23	11-026	EP2-02	EP1-01
24	11-022	EP2-03	EP1-01
26	11-022	EP2-02	EP1-01
27	11-022	EP2-01	EP1-01
28	11-020	EP2-03	EP1-01
29	11-020	EP2-02	EP1-01
30	11-017	EP2-03	EP1-01
31	11-017	EP2-02	EP1-01
32	11-017	EP2-01	EP1-01
33	11-015	EP2-03	EP1-01
34	11-015	EP2-02	EP1-01
38	11-010	EP2-03	EP1-01
39	11-010	EP2-02	EP1-01
40	11-106	EP2-03	EP1-01
42	11-106	EP2-02	EP1-01
44	11-004	EP2-03	EP1-01
45	11-004	EP2-02	EP1-01

## İÇE veya DIŞA AÇILIM TİPLERİ - OPENING TYPES (INWARD OR OUTWARD)

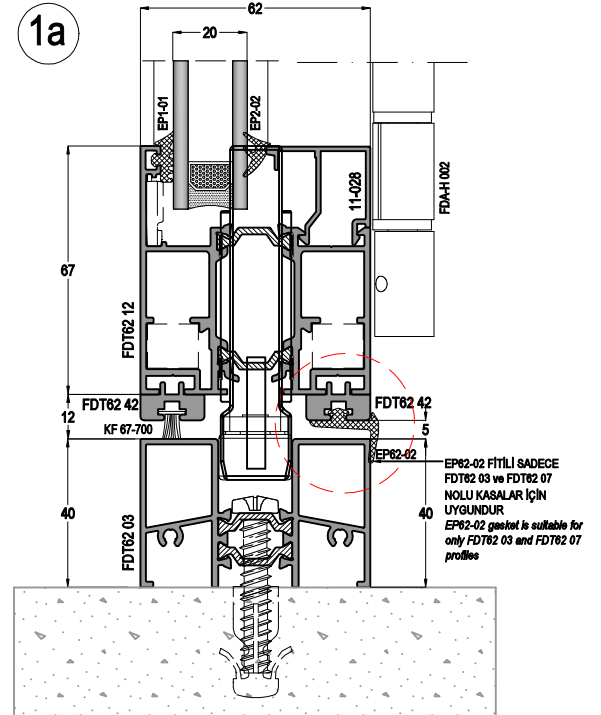
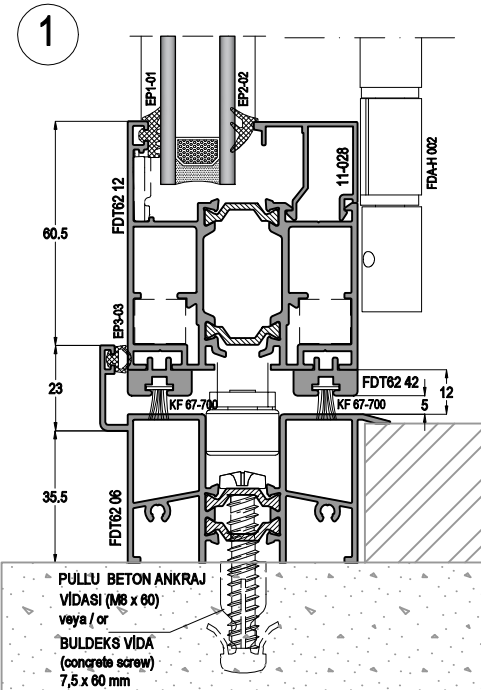
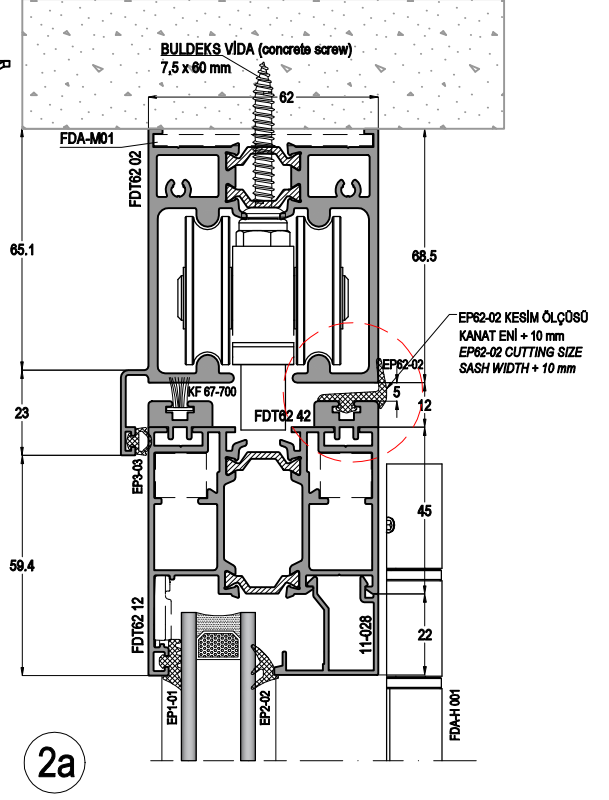
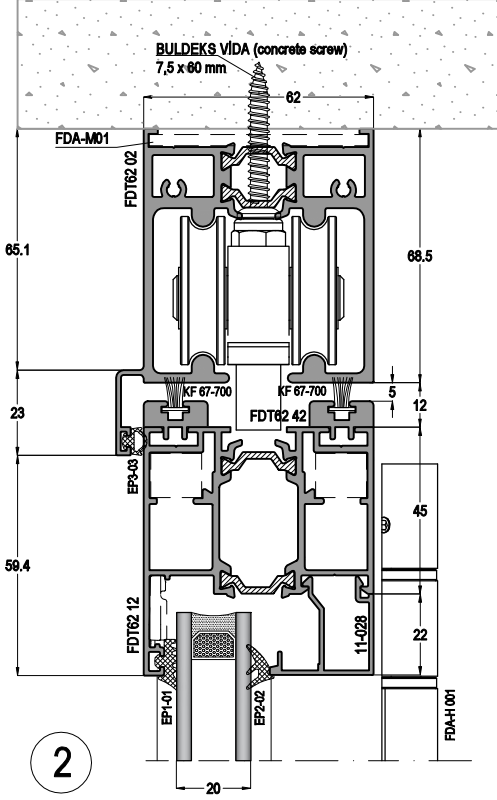
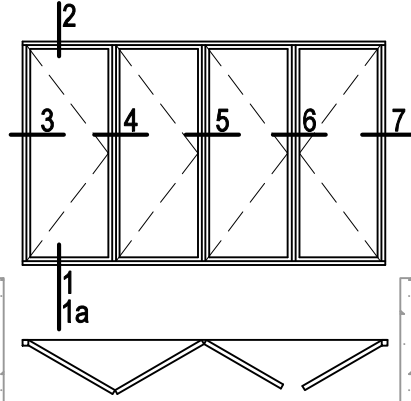
 <p>3+0</p>	 <p>6+1</p>
 <p>2+1=3</p>	 <p>7+0</p>
 <p>3+1=4</p>	 <p>7+1=8</p>
 <p>5+0</p>	 <p>3+1</p>
 <p>4+1=5</p>	 <p>3+3</p>
 <p>5+1=6</p>	 <p>5+1</p>
 <p>3+3=6</p>	 <p>5+3</p>



**SİSTEM DETAYLARI**  
*SYSTEM DETAILS*

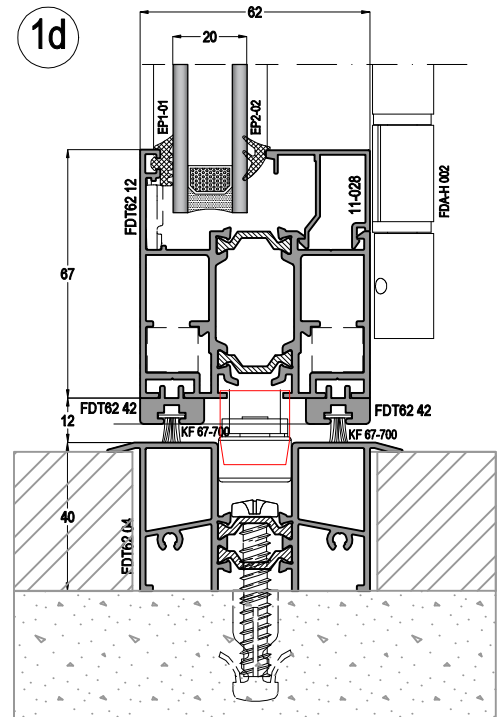
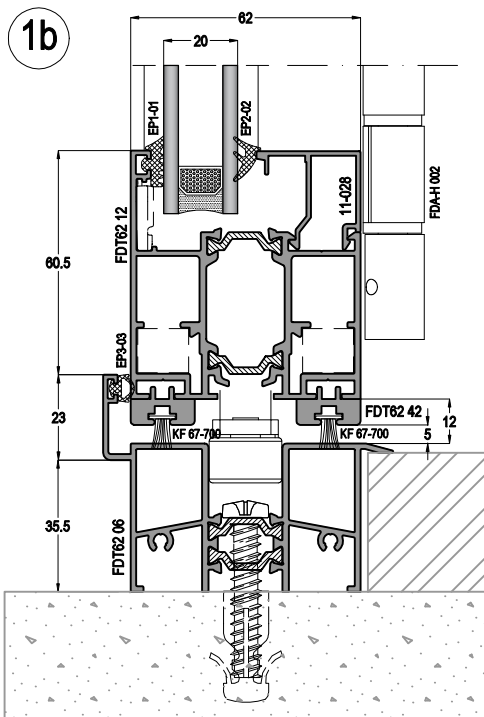
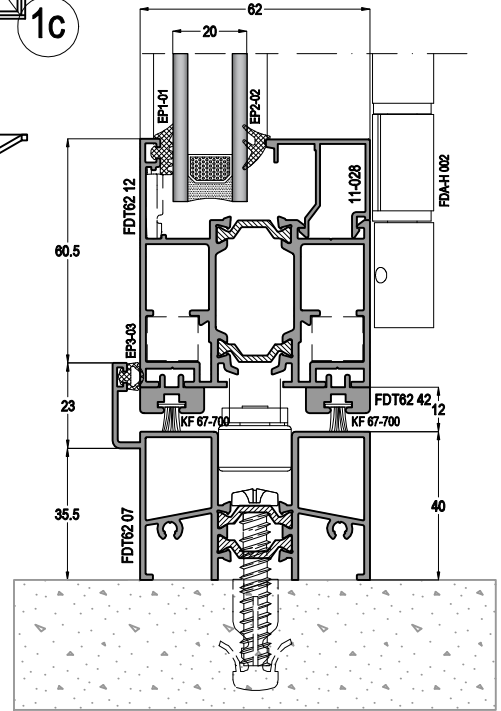
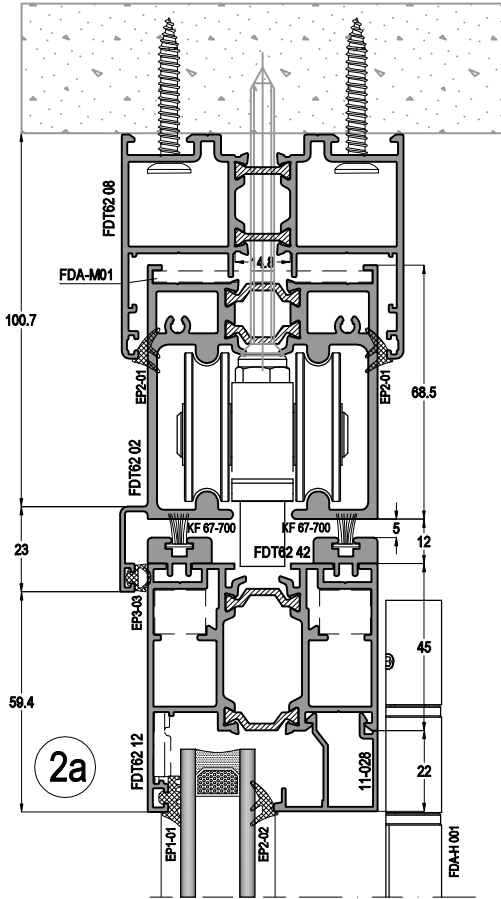
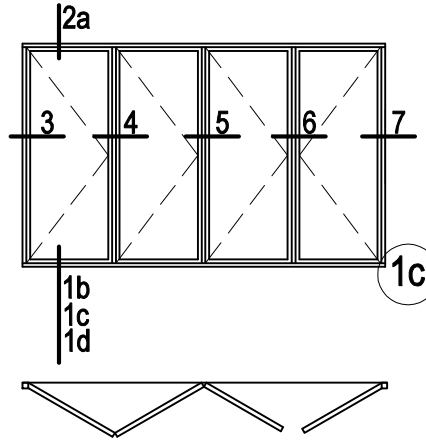
# FDT62

YALITIMLI KATLANIR KAPI SİSTEMİ  
THERMAL FOLDING DOOR SYSTEM



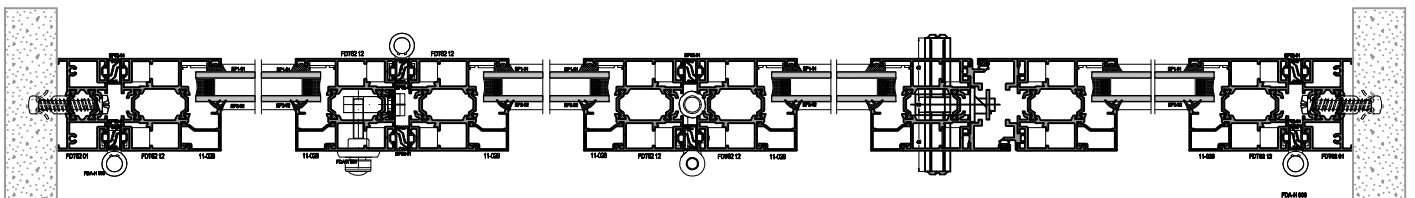
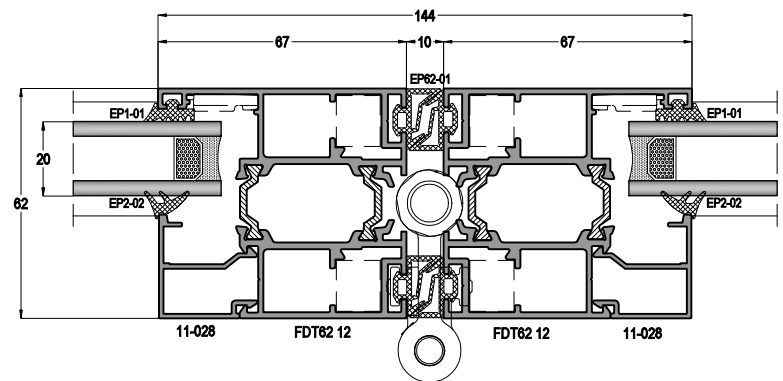
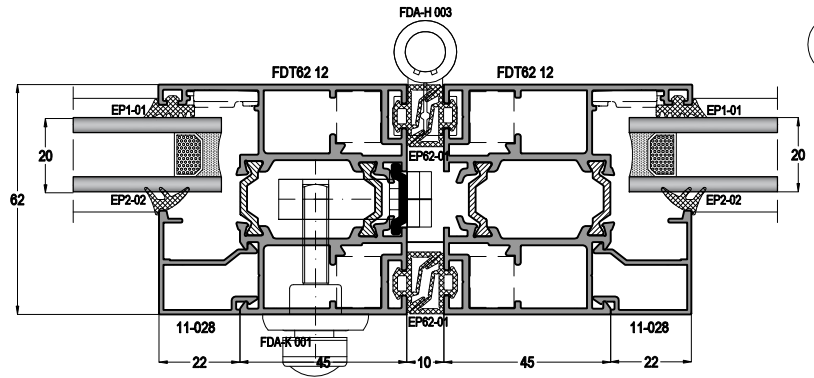
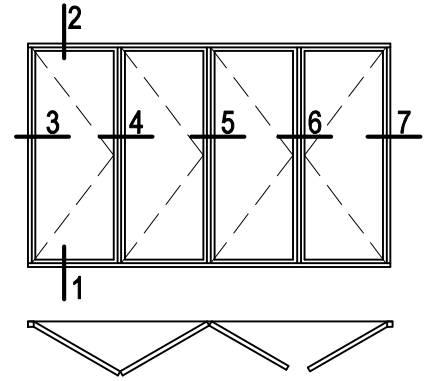
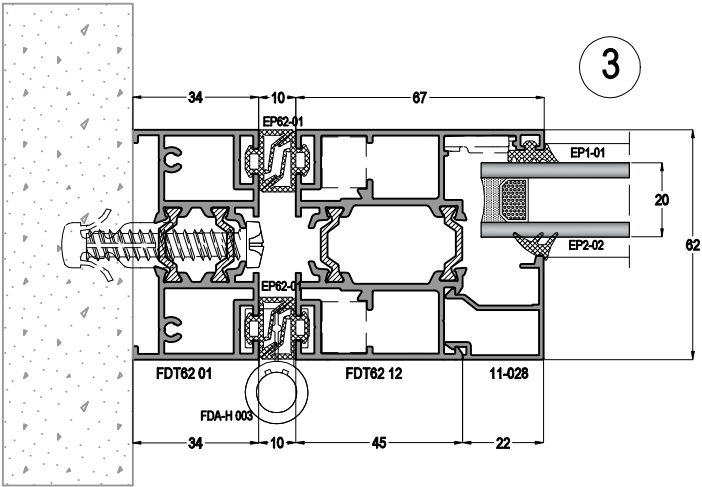
# FDT62

YALITIMLI KATLANIR KAPI SİSTEMİ  
THERMAL FOLDING DOOR SYSTEM



# FDT62

YALITIMLI KATLANIR KAPI SİSTEMİ  
THERMAL FOLDING DOOR SYSTEM



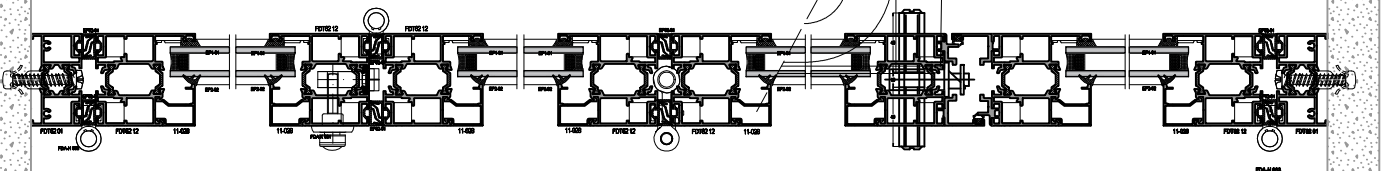
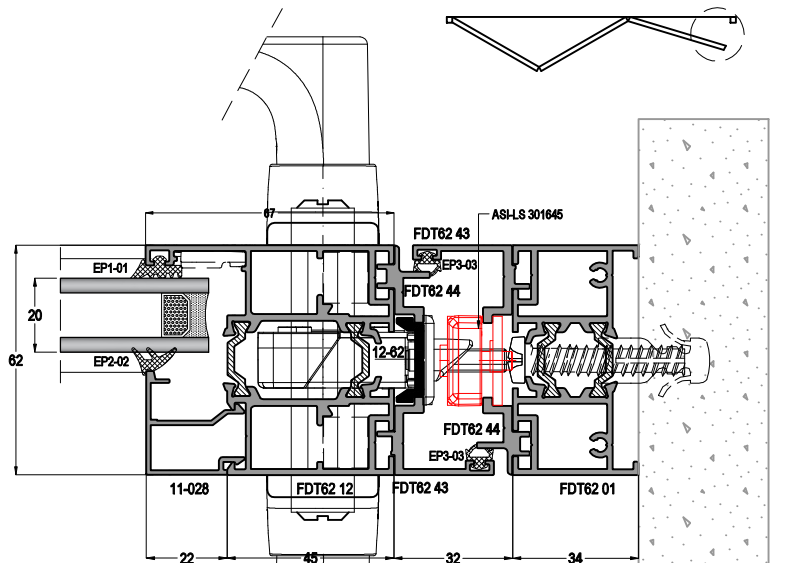
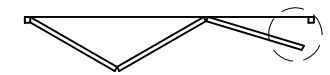
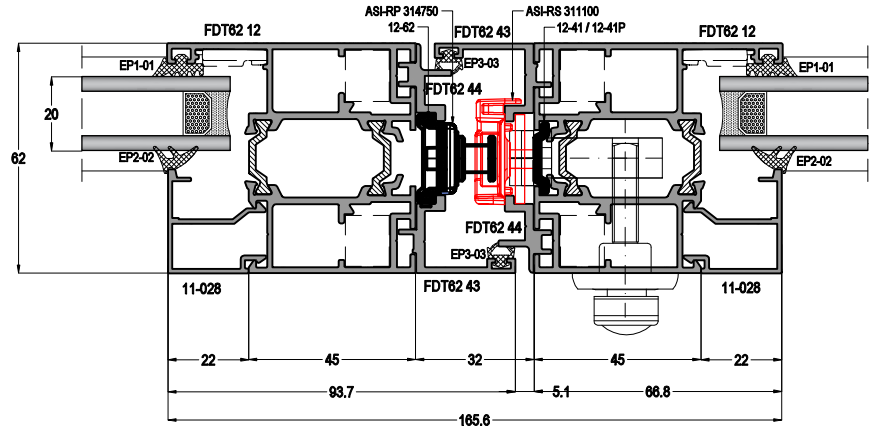
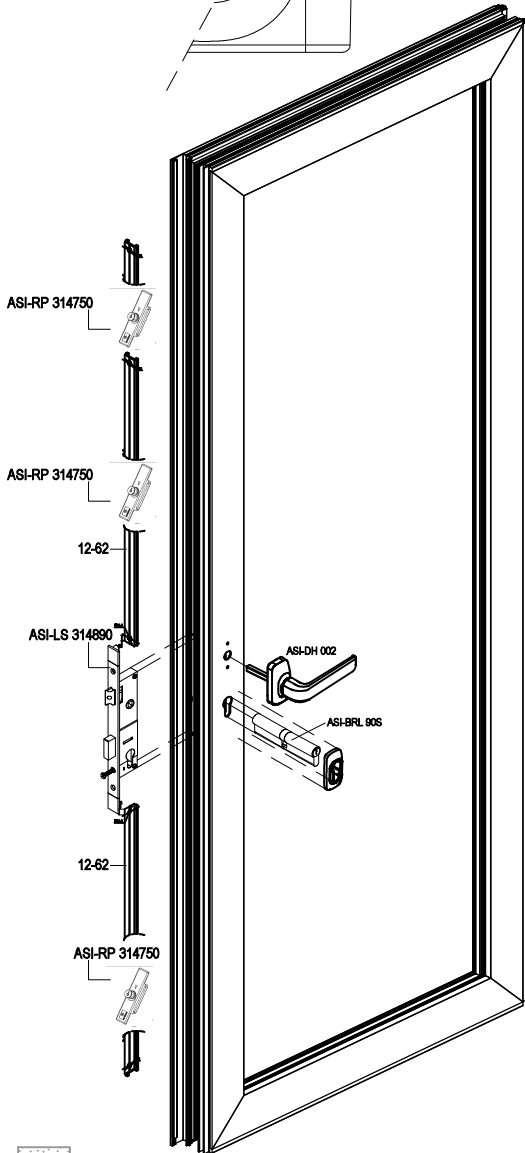
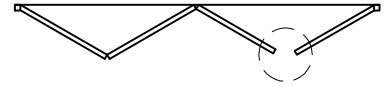
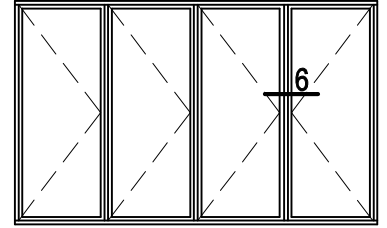
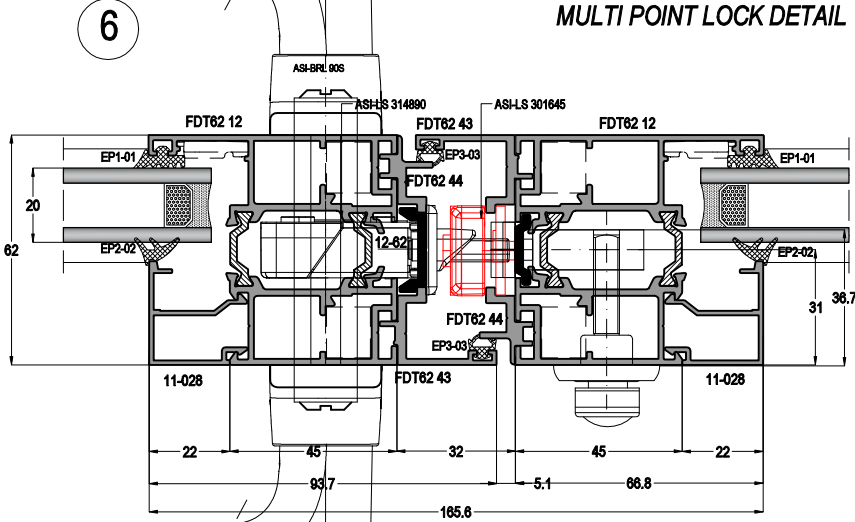
ö: 1/2

# FDT62

YALITIMLI KATLANIR KAPI SİSTEMİ  
THERMAL FOLDING DOOR SYSTEM

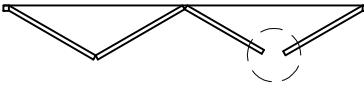
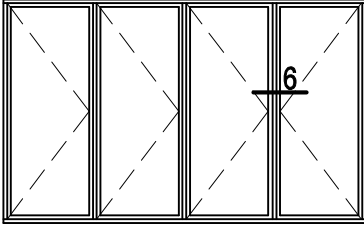
# ASISTAL

## İSPANYOLET KİLİTLEME DETAYI MULTI POINT LOCK DETAIL

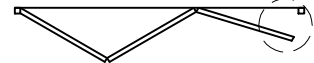
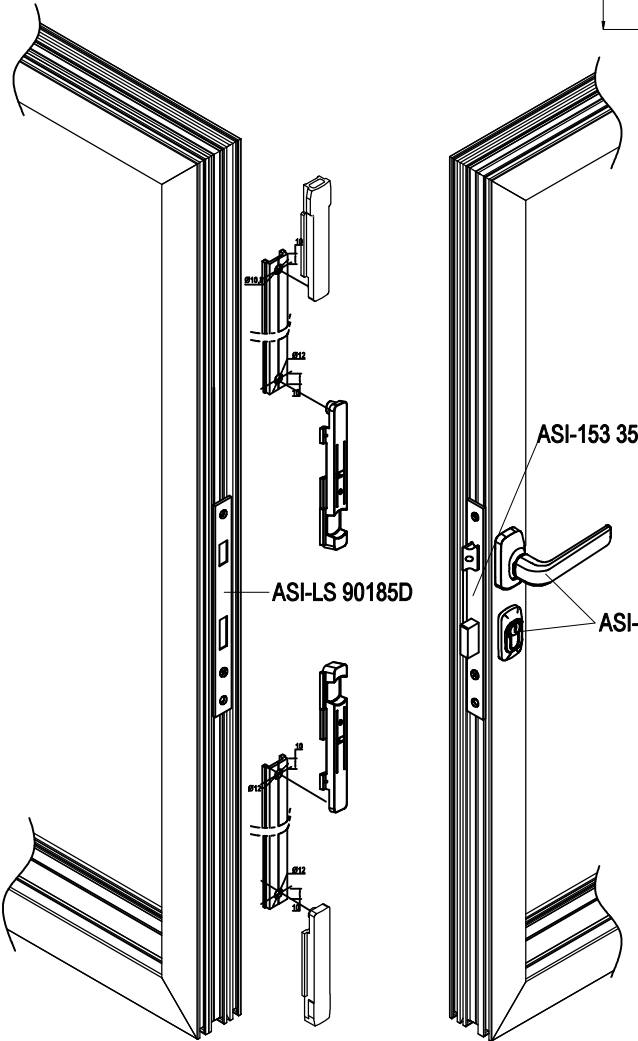
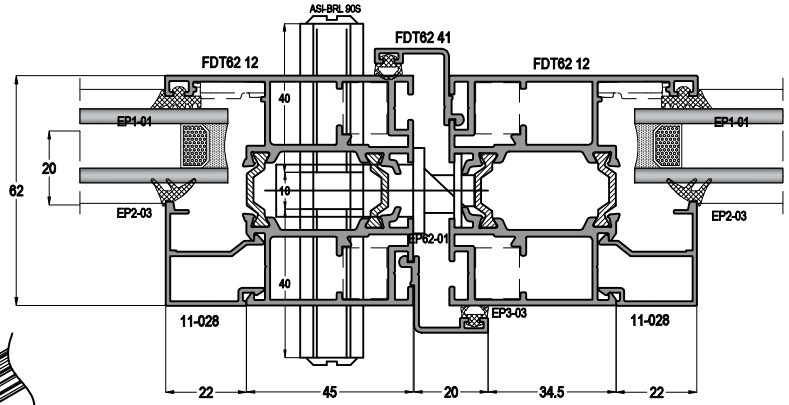




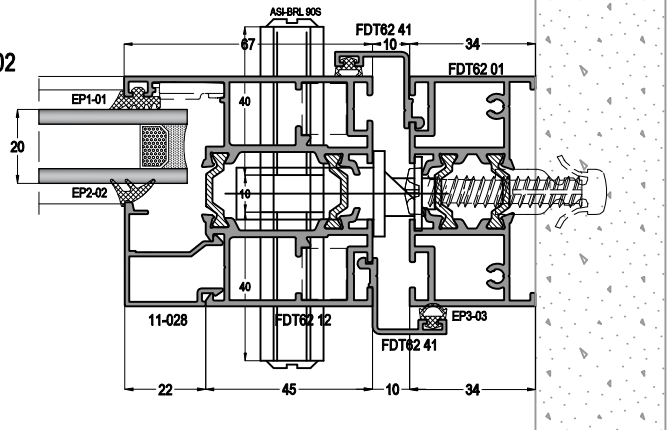
## TEK NOKTADAN KİLİTLEME DETAYI-STANDART DİLLİ KİLİT UYGULAMASI SINGLE POINT LOCK DETAIL - STANDART MORTISE LOCK



6

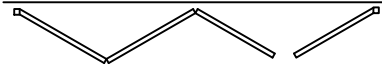
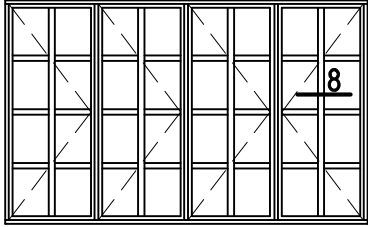


7

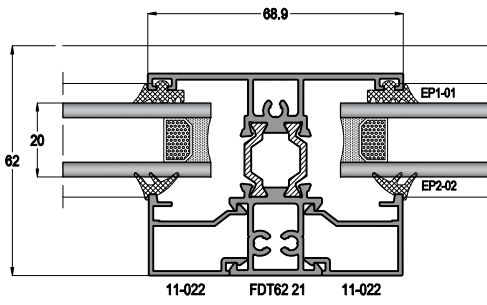


# FDT62

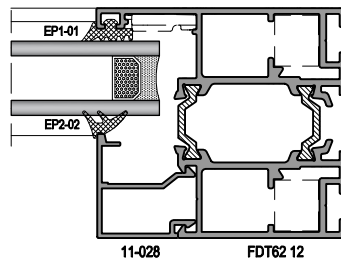
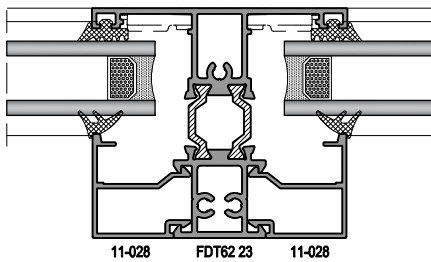
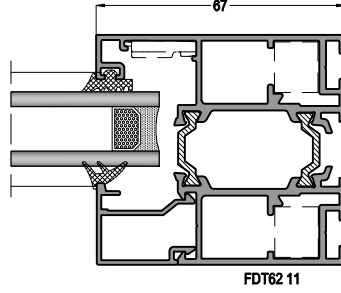
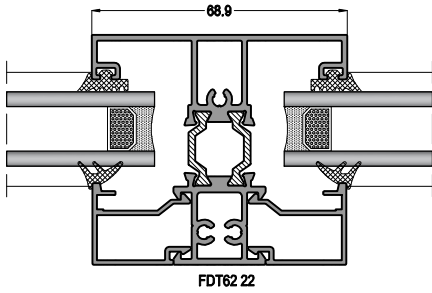
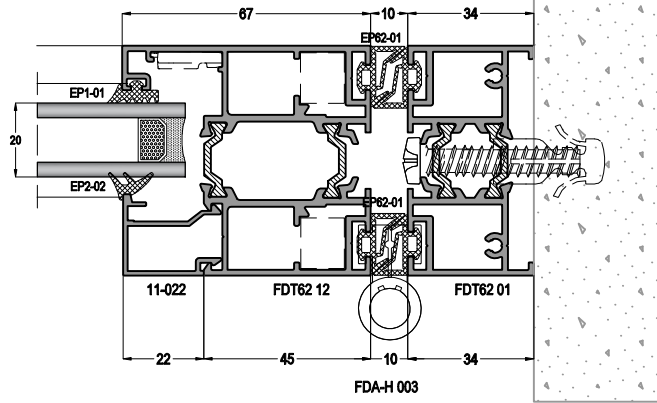
YALITIMLI KATLANIR KAPI SİSTEMİ  
THERMAL FOLDING DOOR SYSTEM



8

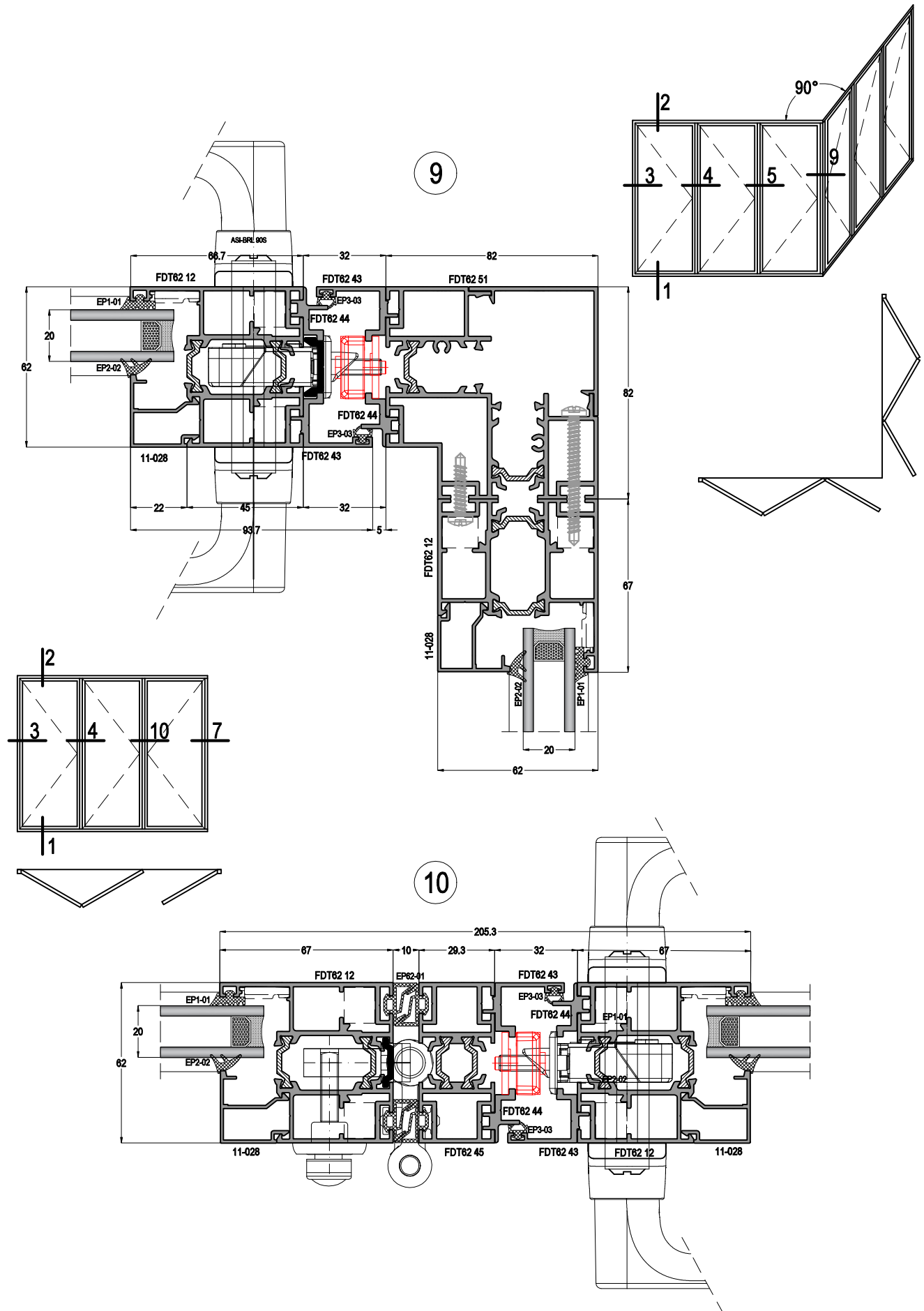


7



# FDT62

YALITIMLI KATLANIR KAPI SİSTEMİ  
THERMAL FOLDING DOOR SYSTEM



ö: 1/2